

# CG450 Storefront System

ON TIME. ON SPEC. ON COST.

## Features

- 1 3/4" x 4 1/2" Center Glazed Storefront
- Outside or Inside Glazed Versions Available
- High Performance Sill Flashing
- Optional Head / Jamb Members to Lower Material & Installation Costs
- Optional Corner Details Readily Available
- Shortest Lead time in the Industry

## Performance Data



### AIR

ASTM E283: Air Infiltration shall not exceed 0.06 cfm/ft<sup>2</sup> when tested at 6.24psf



### STRUCTURAL

ASTM E330: Maximum Allowable Deflection of L/175 for span up to 13'-6" and L/240+1/4" for spans greater than 13'-6" at maximum design pressure of +/- 60psf

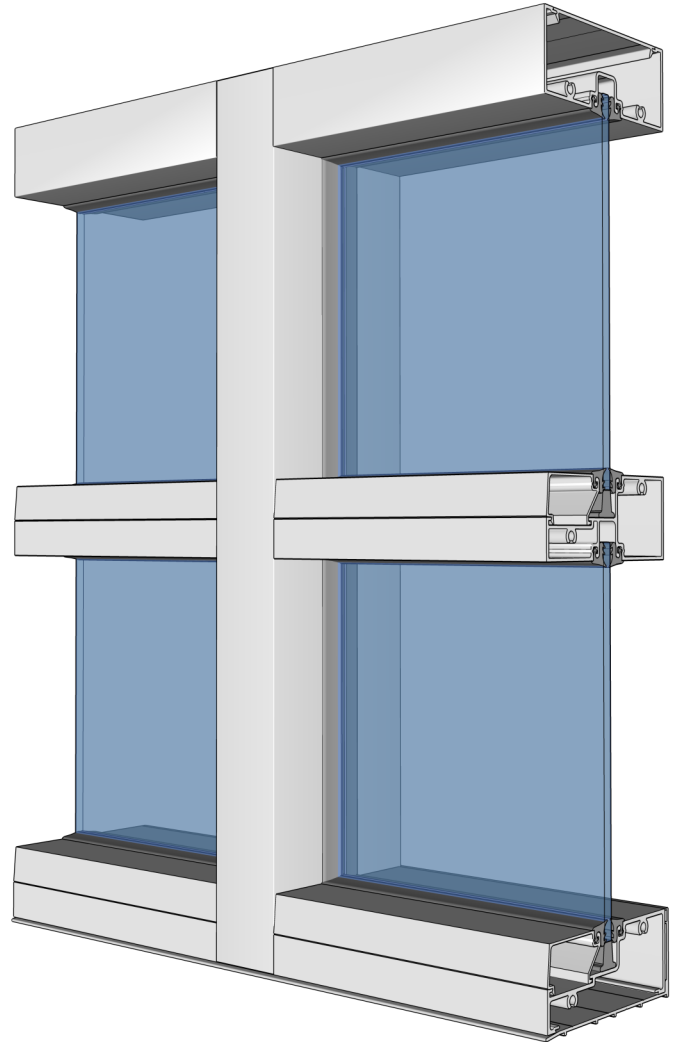


### WATER

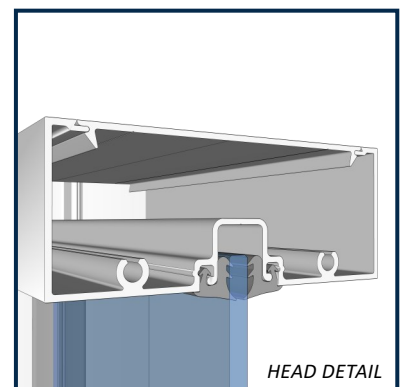
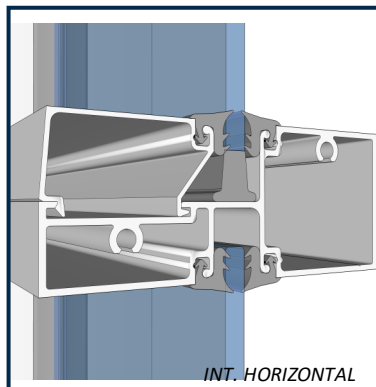
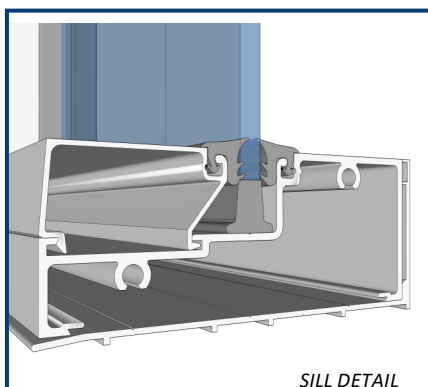
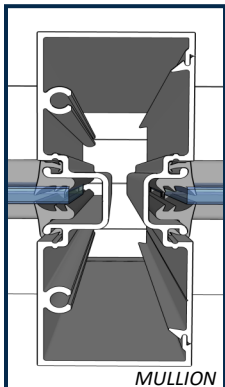
ASTM E331 and AAMA 501: No uncontrolled water when tested at 10psf.



Scan For Full Details



## System Details



Trulite Glass & Aluminum Solutions is proud to be your True Single Source Supplier of all your needs from Specification Sections: 08400, 08700, 08800 and 08900. Complete system details are available on [www.trulite.com](http://www.trulite.com)

403 Westpark Court, Suite 201, Peachtree City, GA 30269. Tel: 800-432-8132

## **PART 1 GENERAL**

### **1.01 SUMMARY**

A. Section Includes: Aluminum Storefront Systems

1. Trulite CG450 Storefront System.

B. Related Sections:

1. Glass and Glazing: Refer to Division 8 Glass and Glazing Section for glass and glazing requirements.
2. Sealants: Refer to Division 7 Joint Treatment Section for sealant requirements.
3. Single Source Requirement: All products listed below shall be by the same manufacturer.
  - a. Section 08 41 13 Aluminum-Framed Entrances & Storefronts.
  - b. Section 08 44 13 Glazed Aluminum Curtain Walls.

### **1.02 SYSTEM PERFORMANCE DESCRIPTION**

A. Performance Requirements: Provide aluminum storefront systems that comply with performance requirements indicated, as demonstrated by testing manufacturer's assemblies in accordance with test methods indicated.

1. Air Infiltration shall be tested in accordance with ASTM E283 at static pressure of 6.24psf. Infiltration shall not exceed 0.06 cfm/ft<sup>2</sup> of total frame area.
2. Water Infiltration: No uncontrolled water when tested in accordance with ASTM E331 at test pressure differential of: 10psf (718 pa), (or when required, field tested in accordance with AAMA 503). Sill members must be designed to permit proper sealant of fasteners that penetrate the sill flashing; "blind seals" not permitted.
3. Structural: Uniform Load Test in accordance with ASTM E330 at a minimum static test pressure of +/- 60psf.
4. Thermal Movement: Provide for thermal movement caused by 180 °F. (82.2 °C.) surface temperature, with-out causing buckling stresses on glass, joint seal failure, undue stress on structural elements, damaging loads on fasteners, reduction of performance, or detrimental effects.

### **1.03 WARRANTY**

A. Manufacturer's Warranty: Submit, for Owner's acceptance, manufacturer's standard warranty document executed by an authorized company official.

1. Warranty Period: Manufacturer's two (2) year standard warranty commencing on the date of shipment by Trulite Glass & Aluminum Solutions, LLC

## **PART 2 PRODUCTS**

### **2.01 MANUFACTURERS (Acceptable Manufacturers/Products)**

A. Acceptable Manufacturers: Trulite Glass & Aluminum Solutions

1. Trulite CG450 Storefront System.

B. Storefront Framing System

1. Description: Insulating glass to be "flush glazed" and located in the center of the framing system. The glass maybe glazed from the exterior, or interior of the building. The framing system shall be assembled with #14 hex head fasteners to ensure the integrity of each joint; all screws to be concealed.

### **2.02 MATERIALS**

A. Extrusions: ASTM B 221 (ASTM B 221M), 6063-T6 Aluminum Alloy.

### **2.03 FINISHES**

A. Anodized Finishing in accordance with the requirements of AAMA 611.

1. Architectural Class II, etched, medium matte, clear anodic coating, 0.4 mil (10 microns) minimum thickness.
2. Architectural Class I, etched, medium matte, black, dark bronze, medium bronze, colored anodic coating, 0.7 mil (18 microns) minimum thickness.

B. High Performance Organic Coating in accordance with either AAMA 2604 or AAMA 2605

1. Finish coat of 50% (AAMA 2604) or 70% (AAMA 2605) minimum fluorocarbon resin fused to primed surfaces at temperature recommended by manufacturer, 1.0 mil (25.4 microns) minimum dry film thickness. Color to be selected by architect.