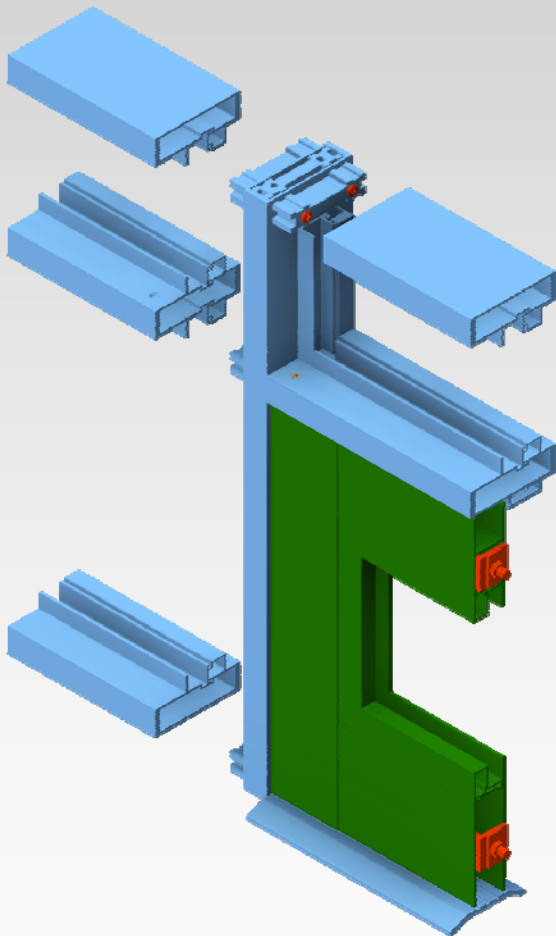


E3

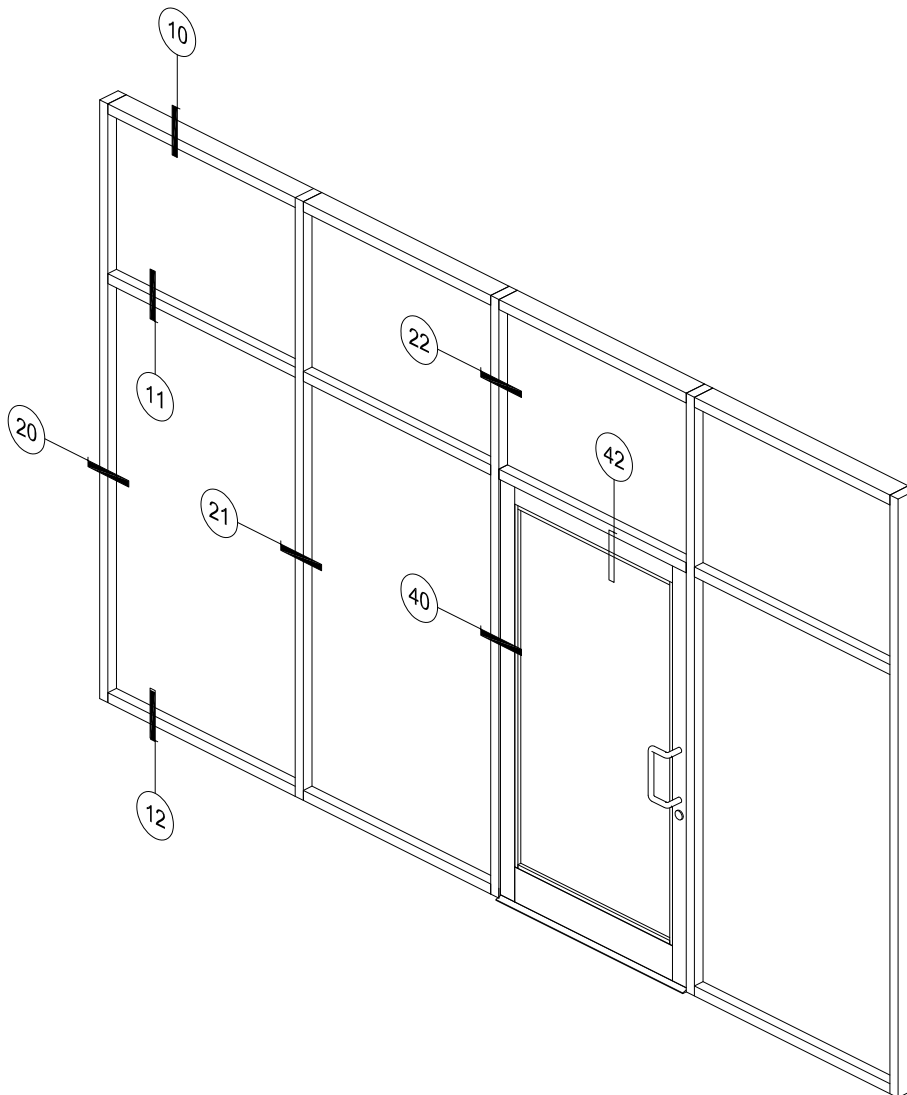
3000

IMPACT WALL SERIES

RESISTOR BLAST & STORM PROTECTION



DETAILBOOK



## SERIES 3000 STOREFRONT WALL

### SERIES 3000 SYSTEM HIGHLIGHT

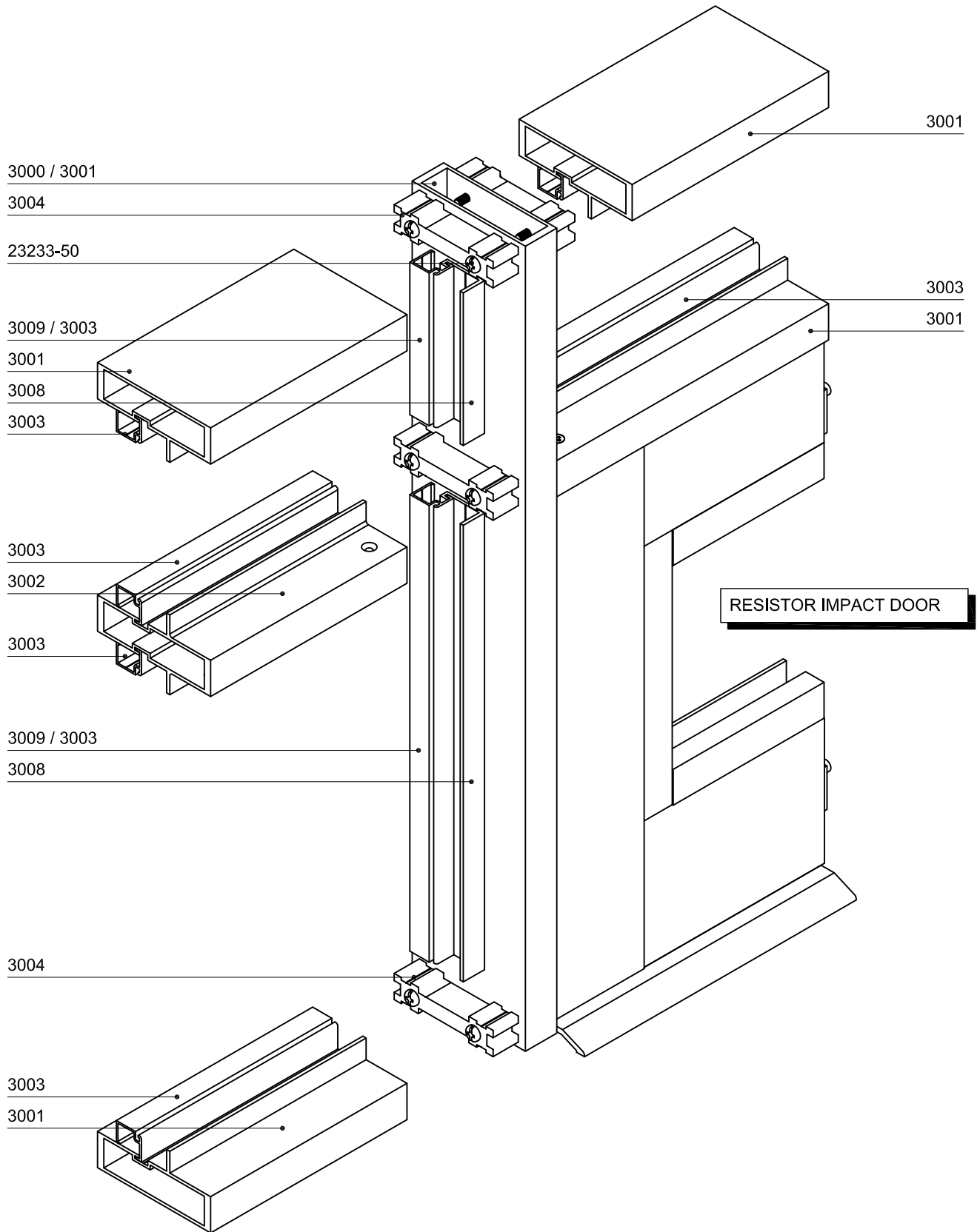
- 1 1/4" x 4 1/2" CENTER GLAZED SYSTEM
- ANCHOR CLIP ASSEMBLY
- INTERIOR OR EXTERIOR GLASS SET
- INTEGRATED DOOR FRAME
- OPTIONAL STEEL REINFORCEMENT
- MIAMI-DADE NOA & FBC APPROVED

TYPICAL GLASS BITE = 1/2"  
GLASS SIZE FORMULA = DLO + 1"

### TAG DESCRIPTION

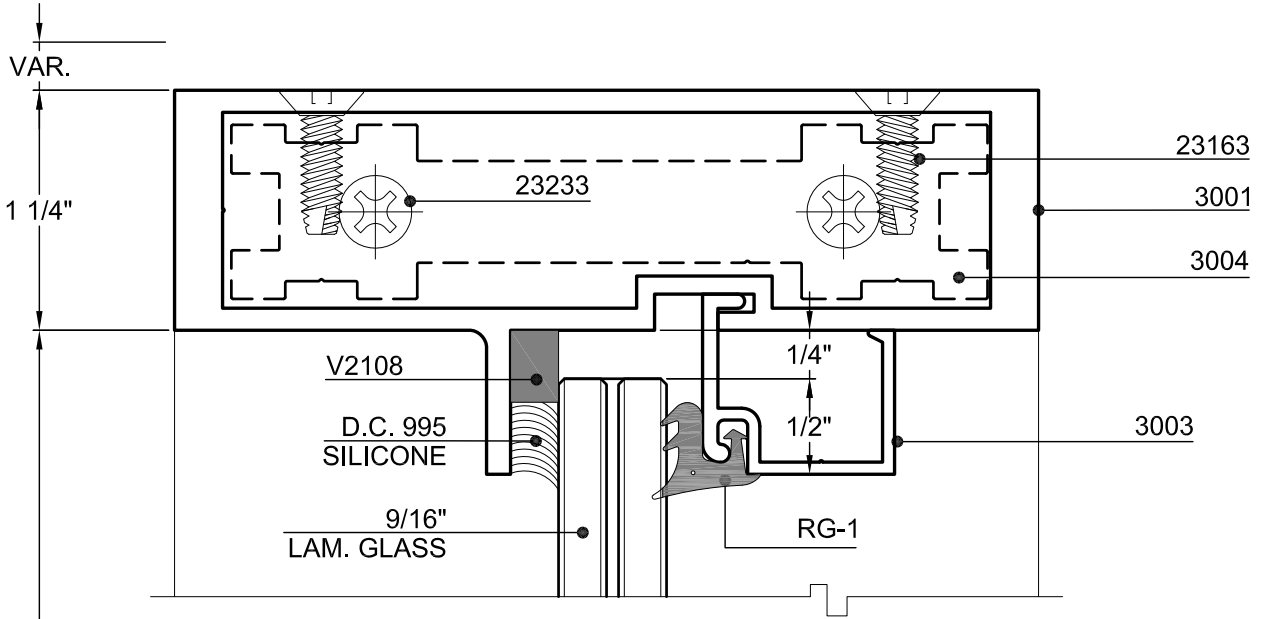
10	STANDARD HEADER DETAIL
11	STANDARD INTERMEDIATE HORIZONTAL
12	STANDARD SILL DETAIL
20	STANDARD JAMB DETAIL
21	INTERMEDIATE MULLION
22	TRANSOM MULLION
23	DOOR JAMB



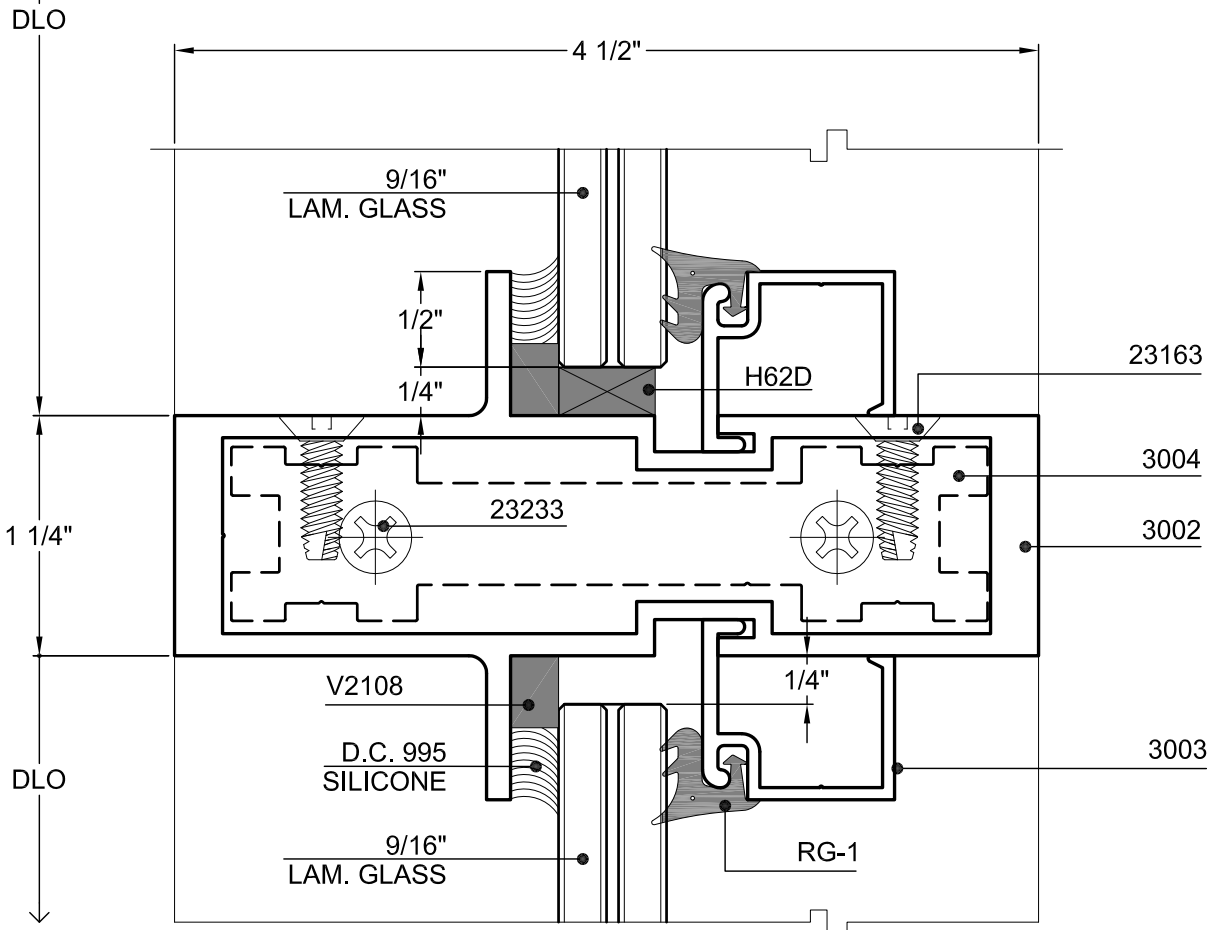


## SERIES 3000 STOREFRONT SYSTEM



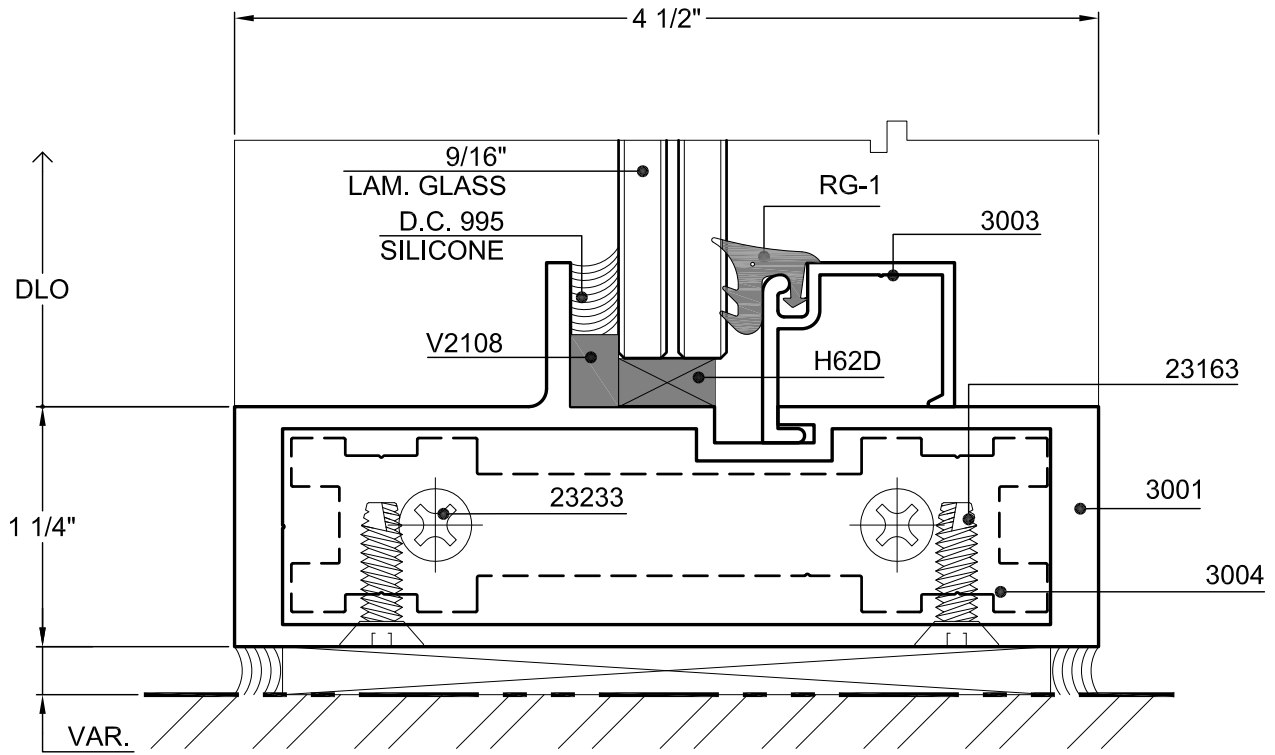


10 TYPICAL HEAD



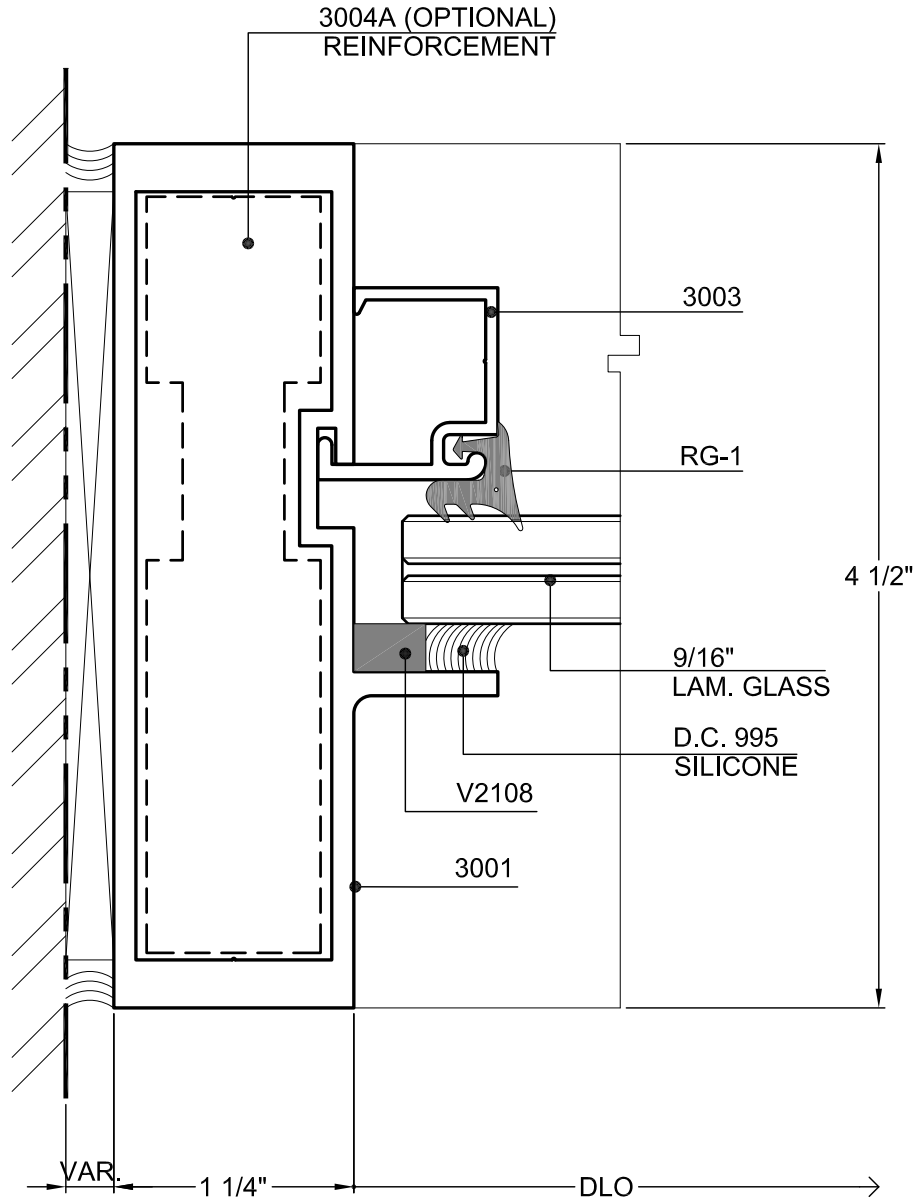
11 INTERMEDIATE HORIZONTAL





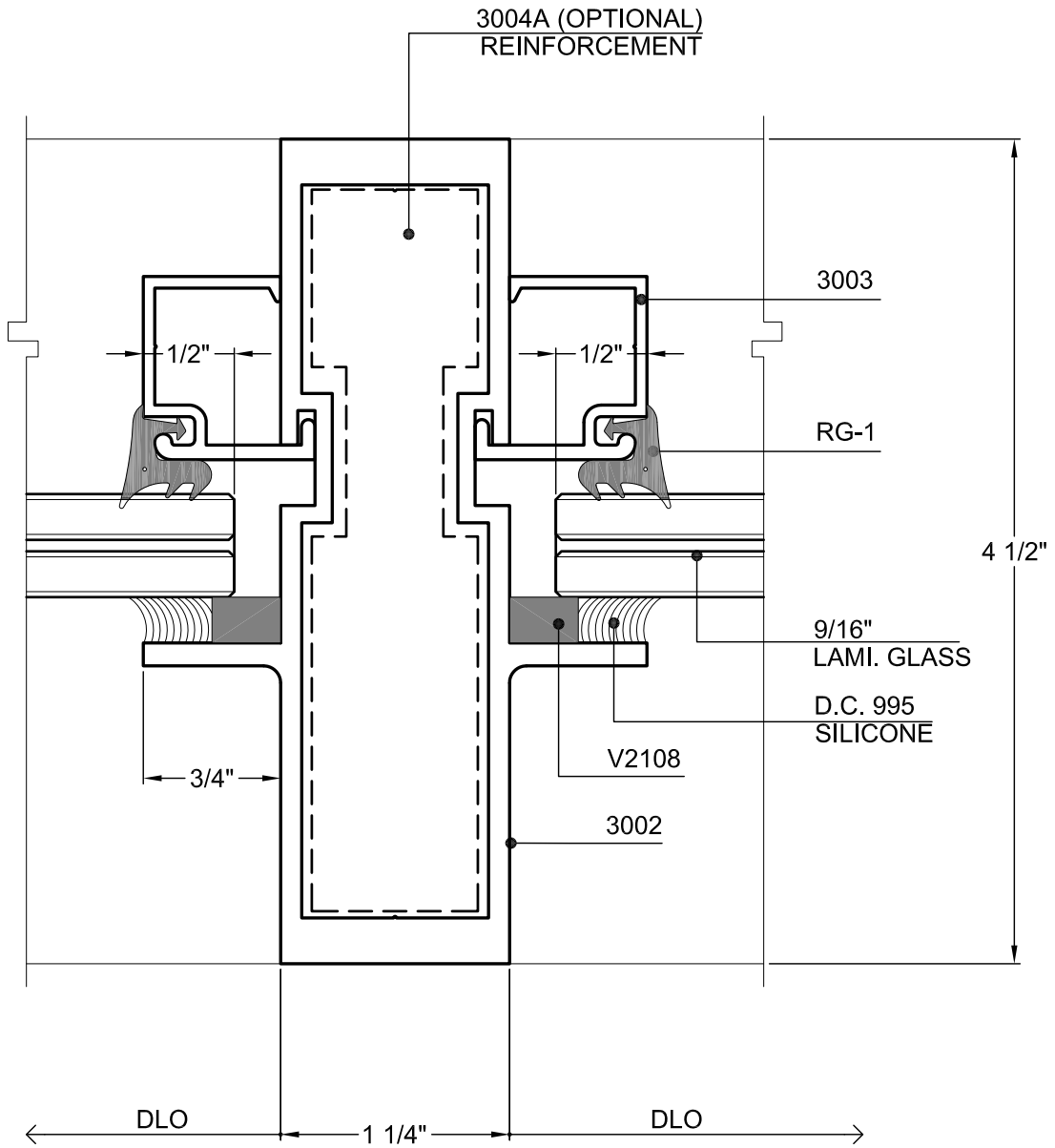
12 TYPICAL SILL





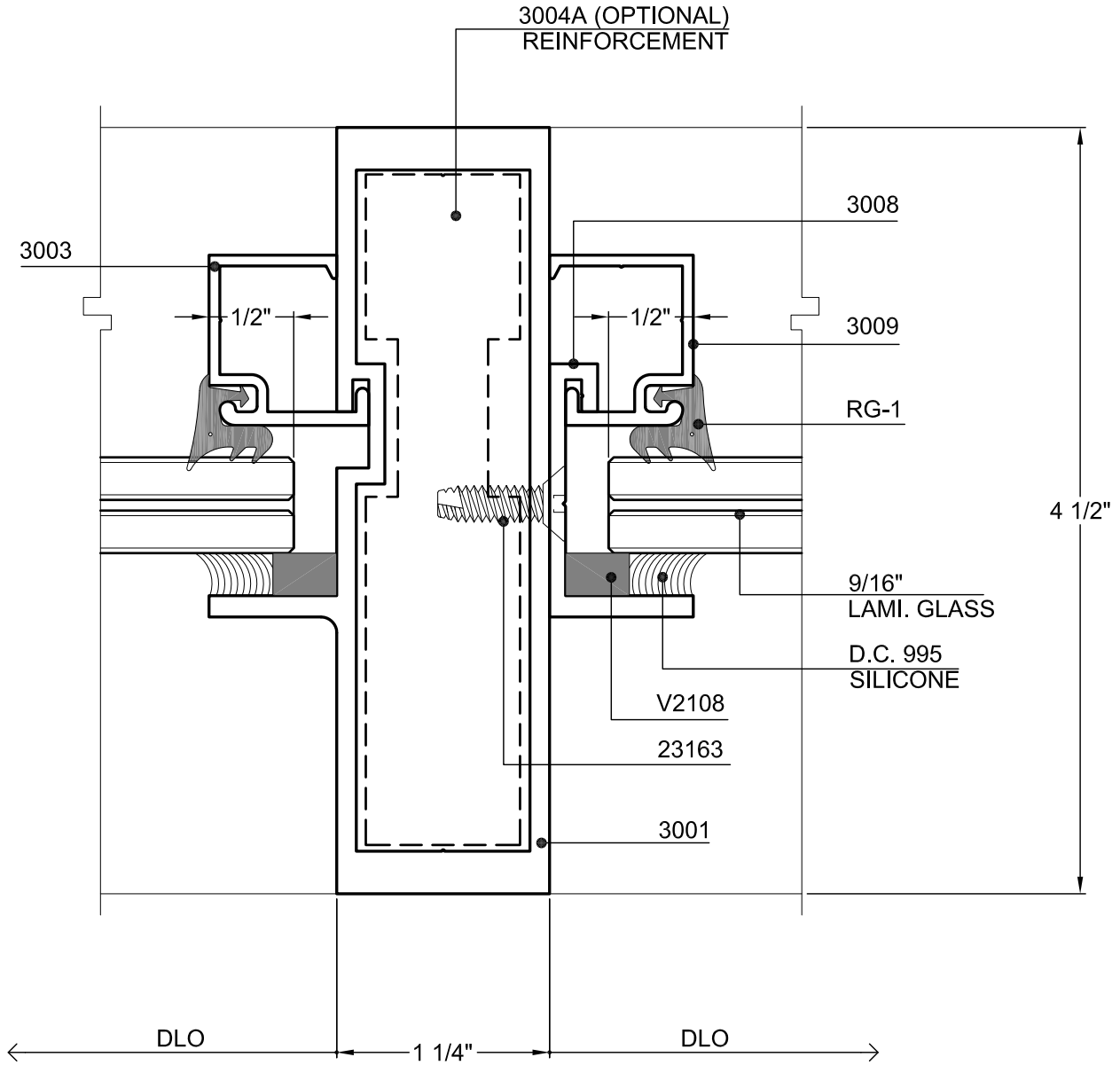
20 TYPICAL JAMB





21 INTERMEDIATE VERTICAL MULLION

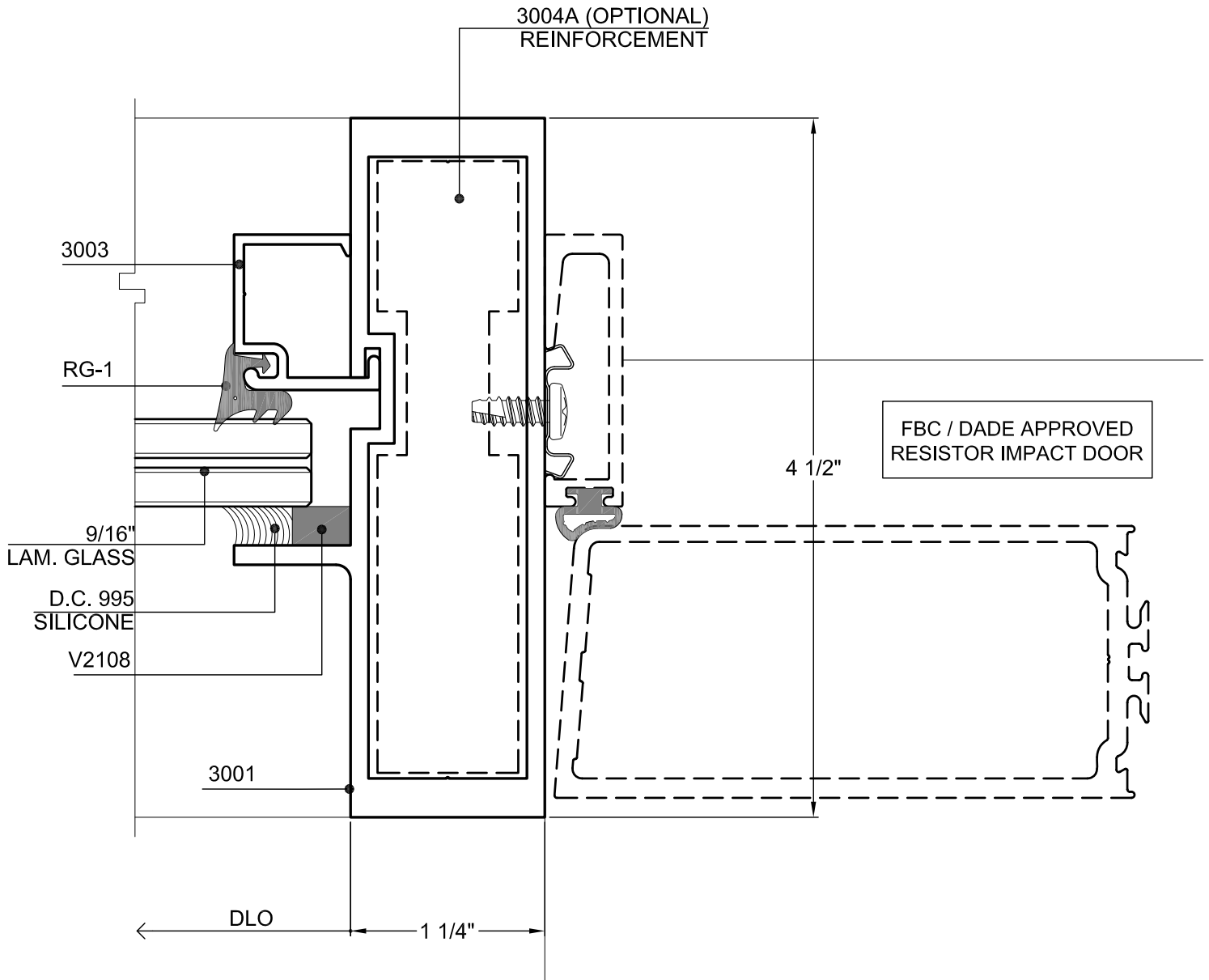




22 TRANSOM MULLION

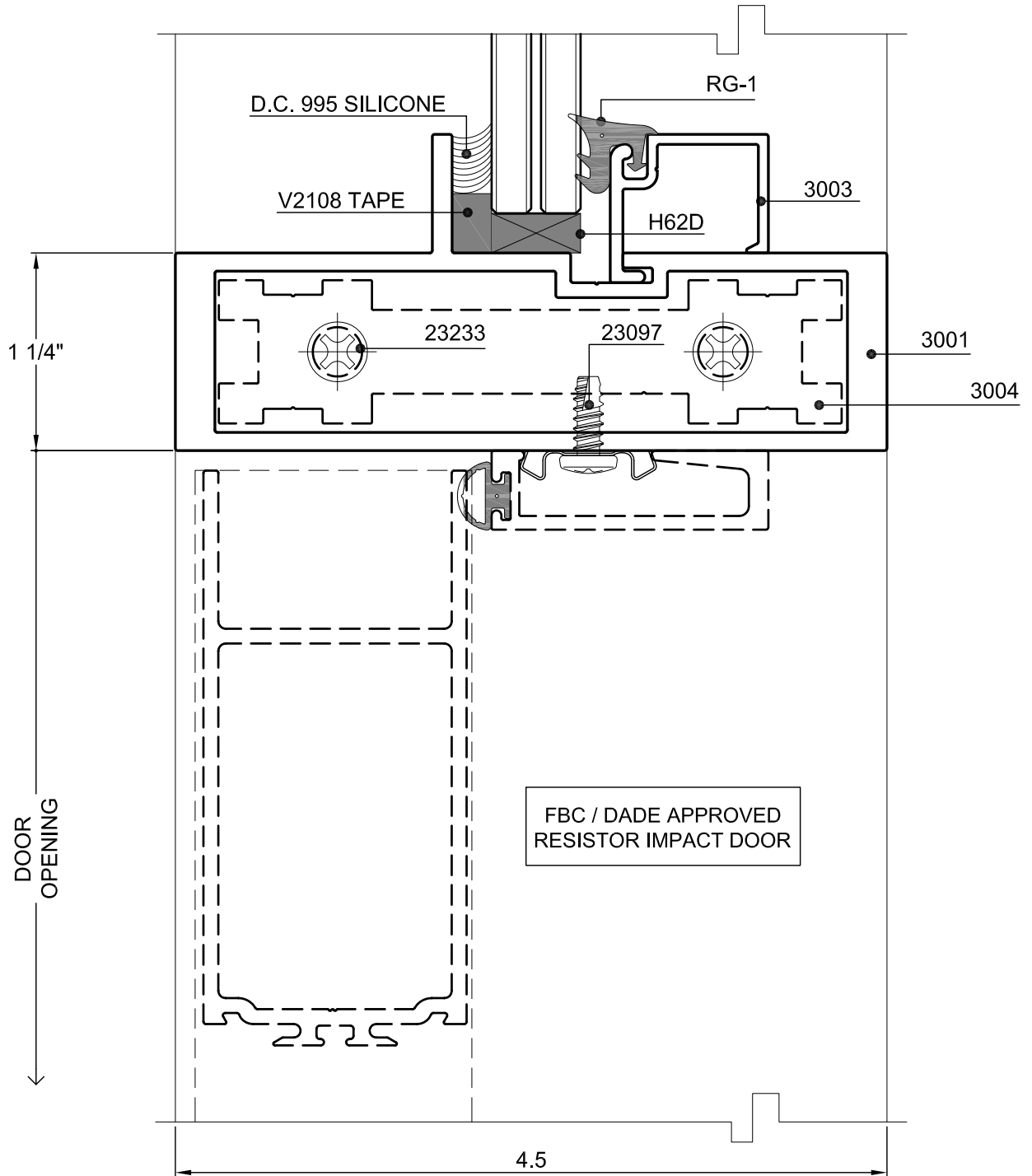






40 DOOR JAMB


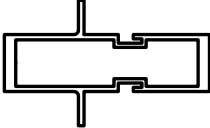

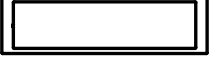

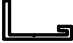









41 DOOR HEAD DETAIL



**SERIES 3000 PARTS TABLE**

			
3001 HEAD/SILL/JAMB	3002 INTERMEDIATE VERTICAL/HORIZONTAL	3004A OPTIONAL REINFORCING	3000 DOOR JAMB
			
3003 GLASS STOP	3008 TRANSOM GLASS STOP GUTTER	3009 TRANSOM GLASS STOP	3103 OPTIONAL GLASS STOP
			
10029 APPLIED DOOR STOP			
			
RG-1 EXTERIOR GLAZING GASKET	RG 5 DOOR STOP BULB GASKET		

