

SERIES 3200 STOREFRONT WALL

SERIES 3200 SYSTEM HIGHLIGHT

- 1 1/4" x 4 1/2" CENTER GLAZED SYSTEM
- ANCHOR CLIP ASSEMBLY
- INTERIOR OR EXTERIOR GLASS SET
- INTEGRATED DOOR FRAME
- OPTIONAL STEEL REINFORCEMENT
- MIAMI-DADE NOA & FBC APPROVED

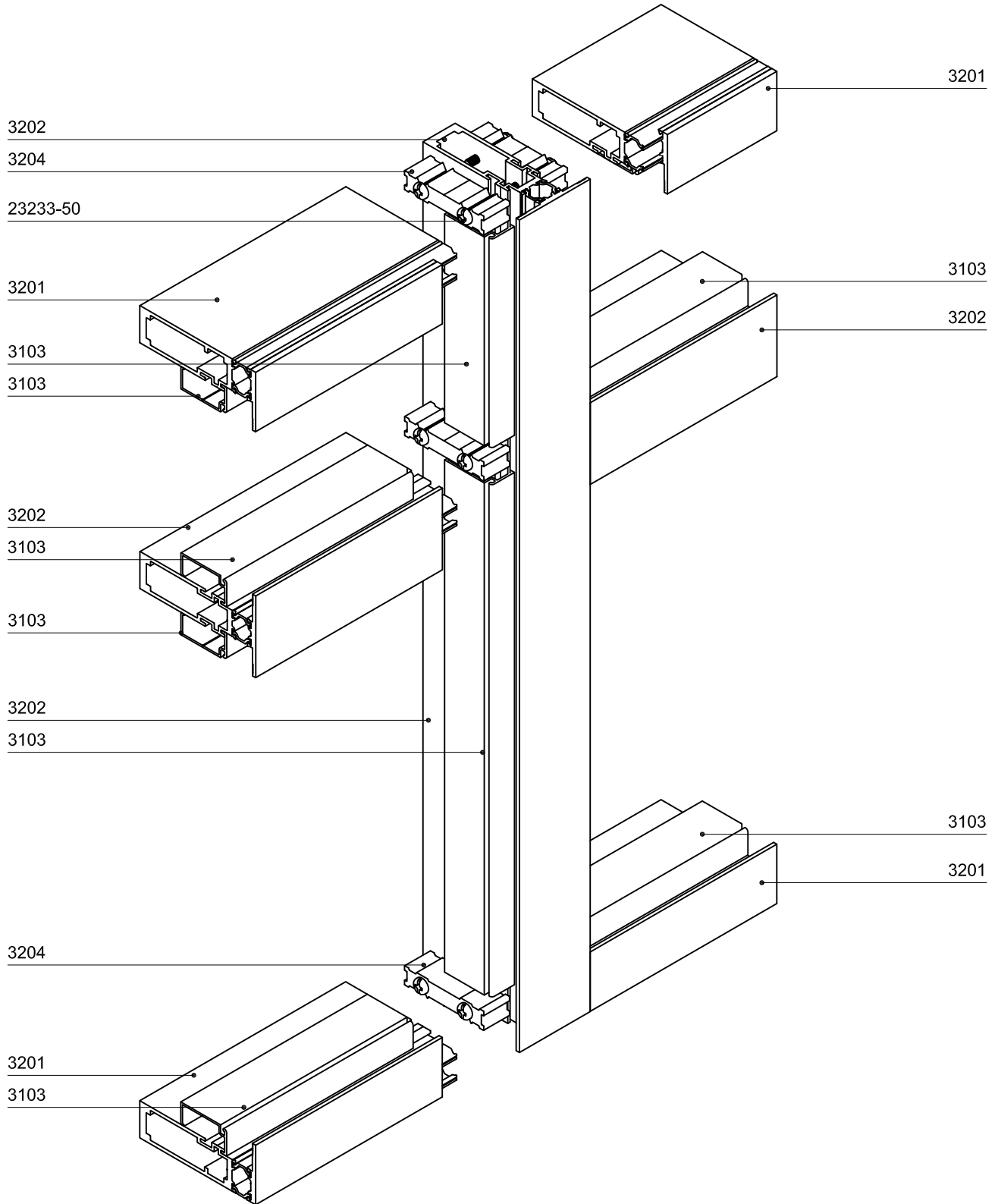
TYPICAL GLASS BITE = 1/2"

GLASS SIZE FORMULA = DLO + 1"

TAG DESCRIPTION

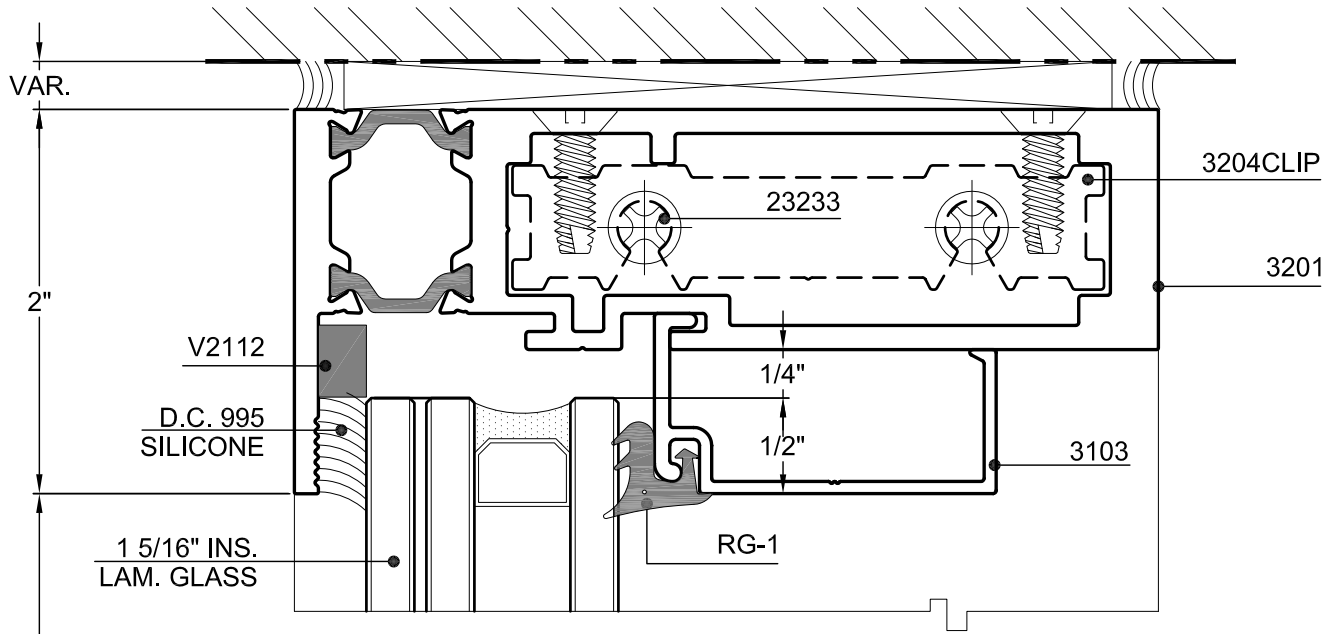
10	STANDARD HEADER DETAIL
11	STANDARD INTERMEDIATE HORIZONTAL
12	STANDARD SILL DETAIL
20	STANDARD JAMB DETAIL
21	INTERMEDIATE MULLION
40	DOOR JAMB
41	TRANSOM MULLION
50	9/16" GLASS OPTION
51	1" GLASS OPTION



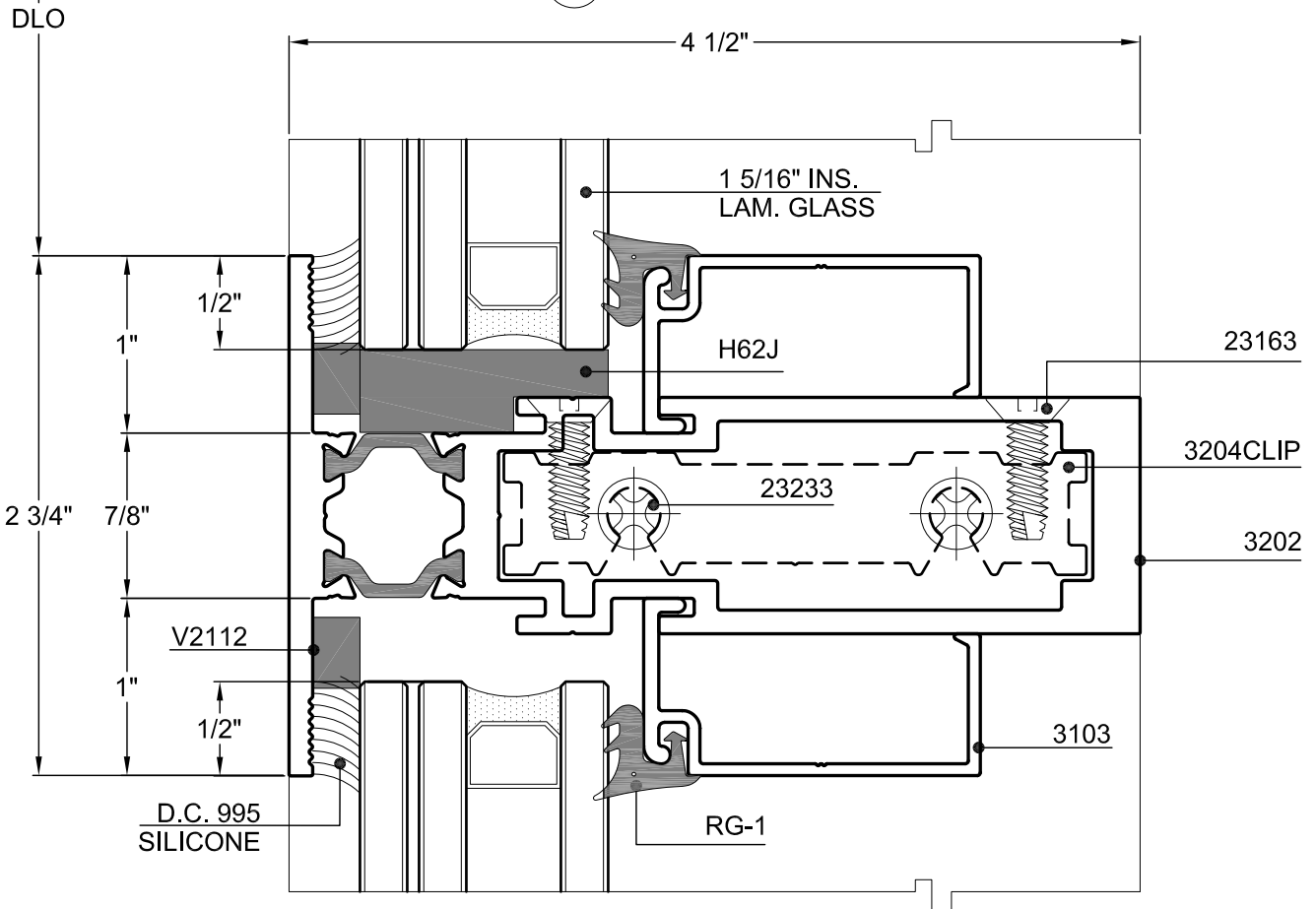


SERIES 3200 STOREFRONT SYSTEM



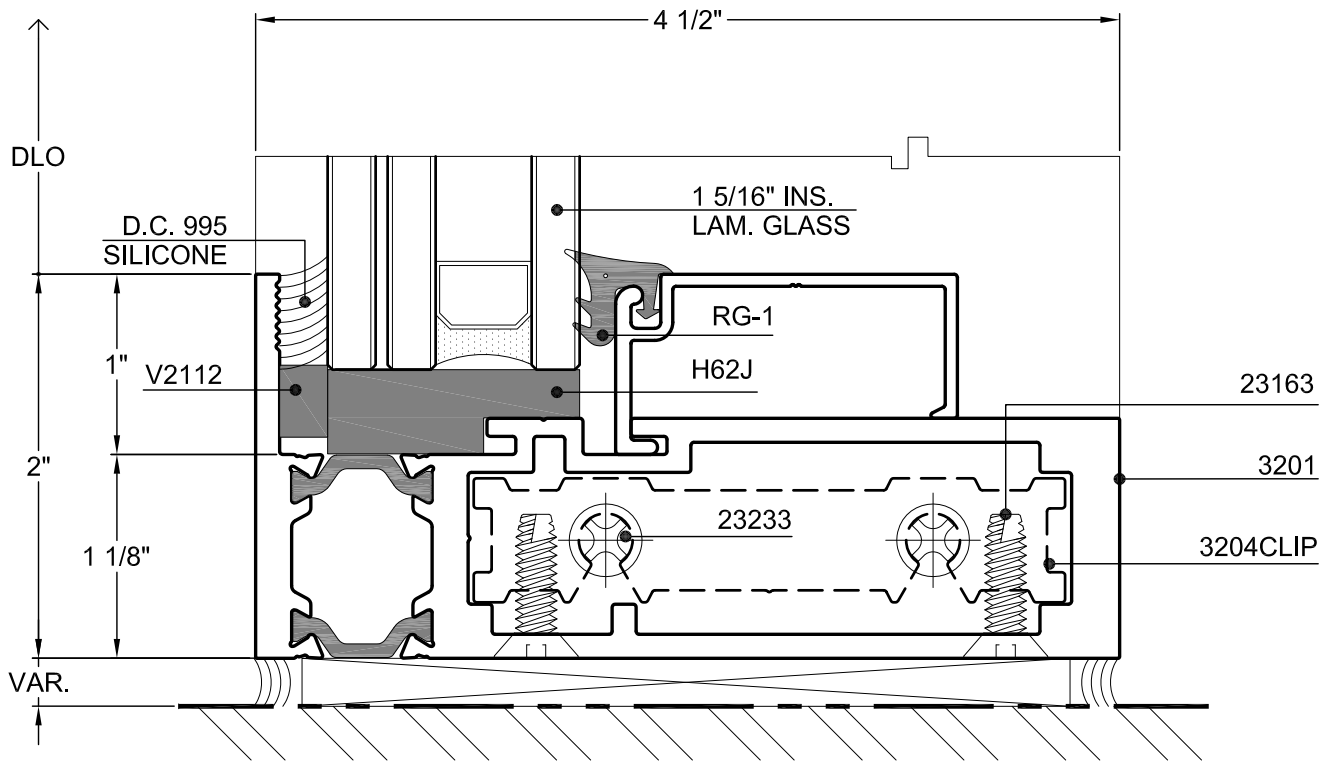


10 TYPICAL HEAD



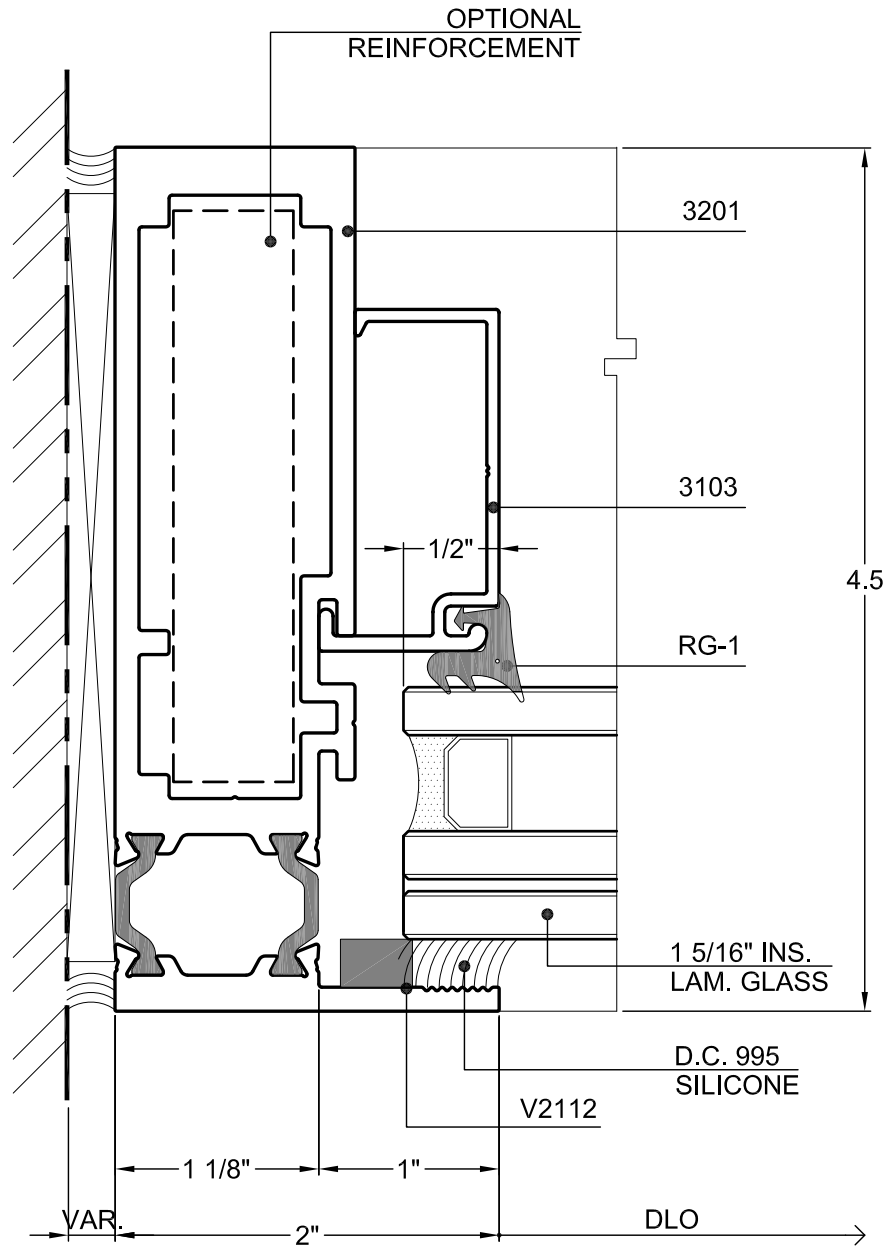
11 INTERMEDIATE HORIZONTAL





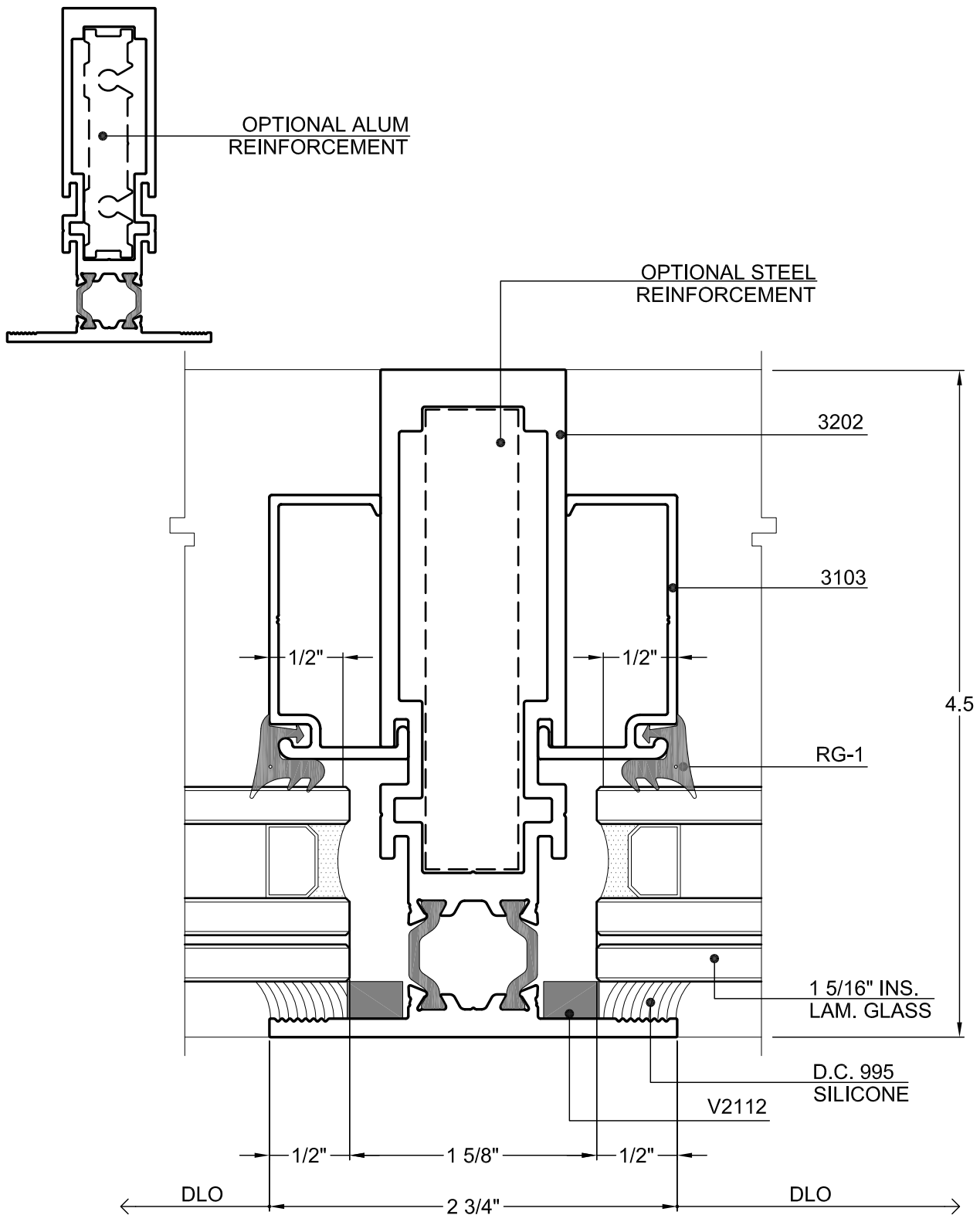
12 TYPICAL SILL





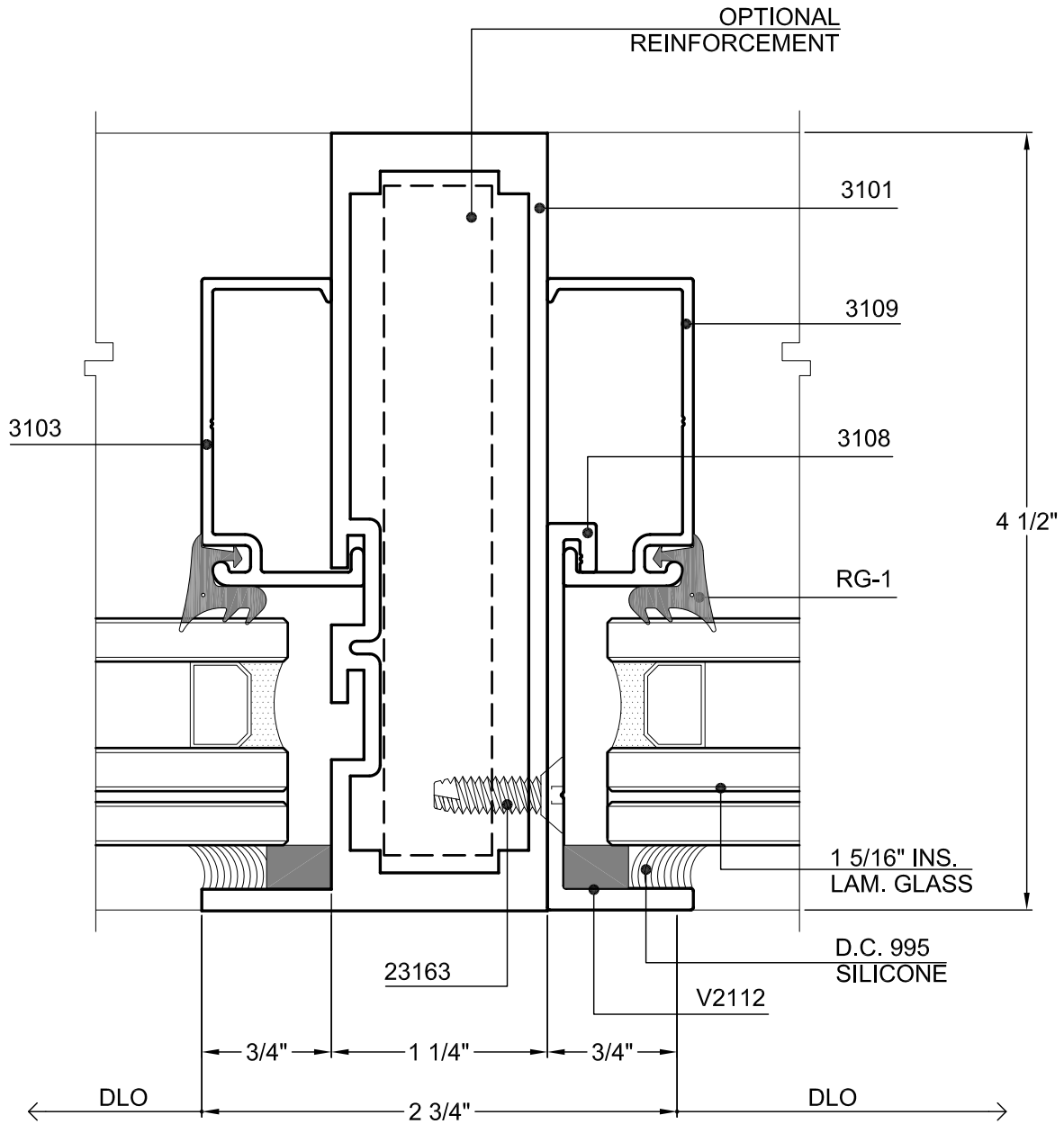
20 TYPICAL JAMB





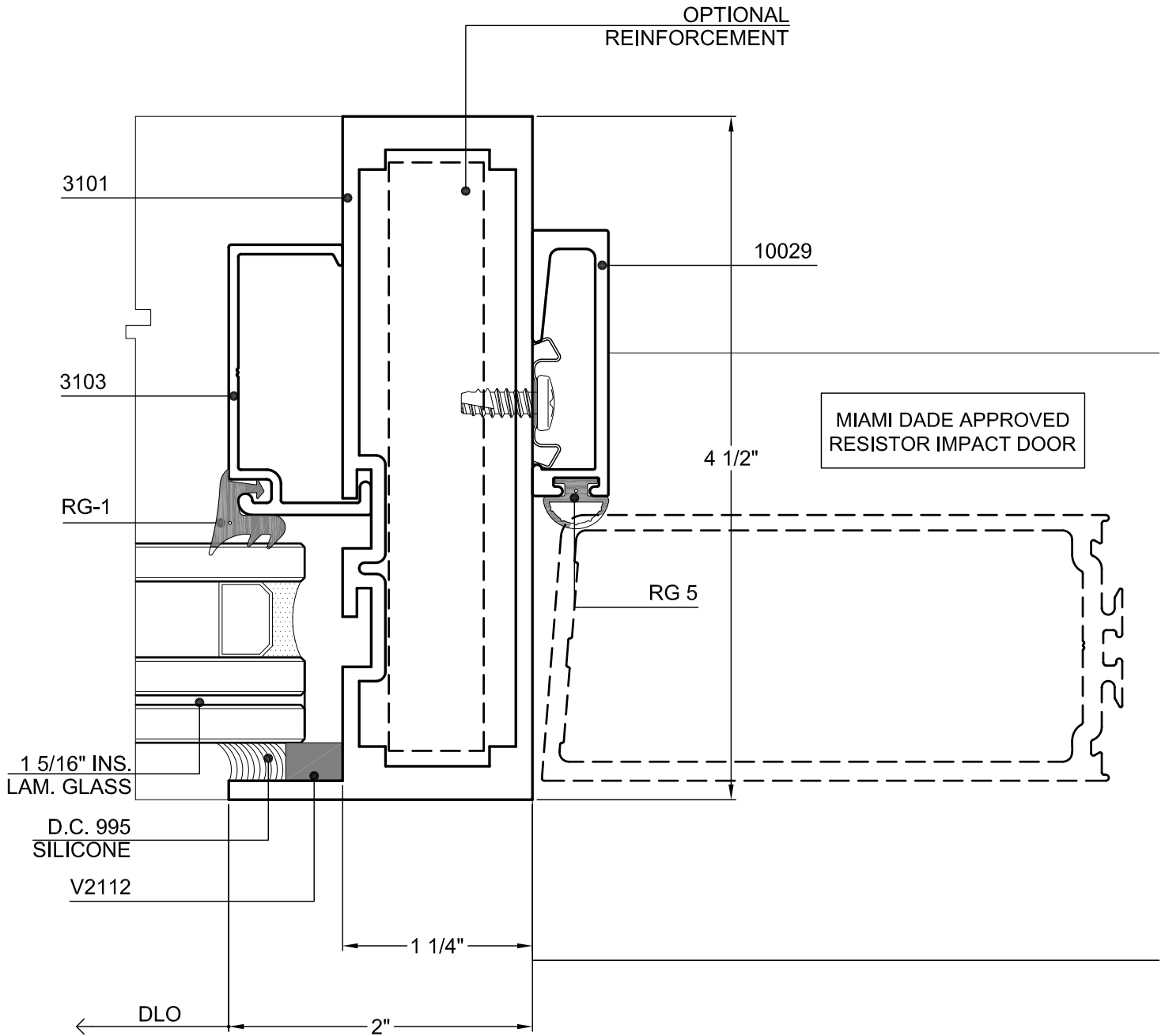
21 INTERMEDIATE VERTICAL MULLION





41 TRANSOM MULLION

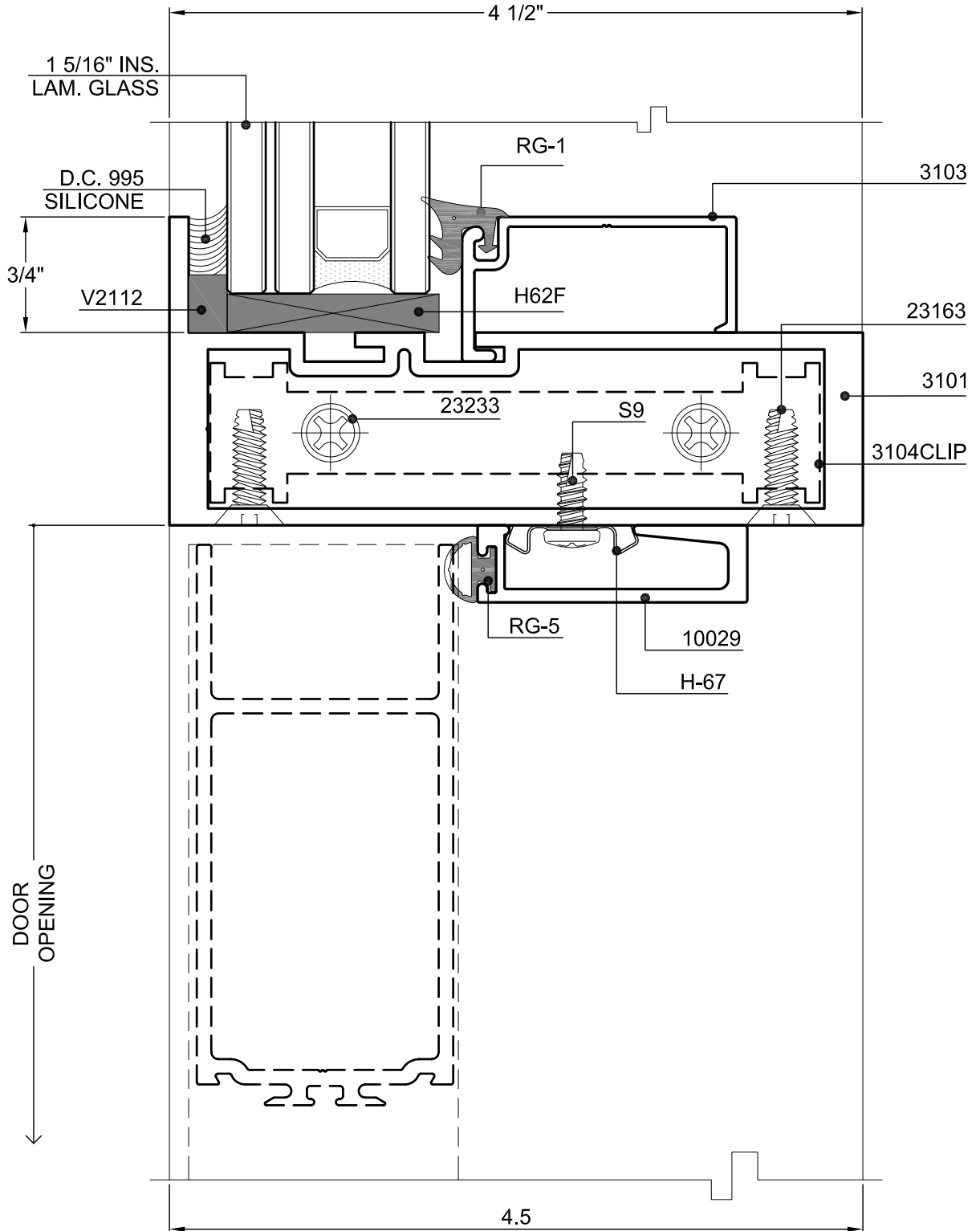




40 DOOR JAMB



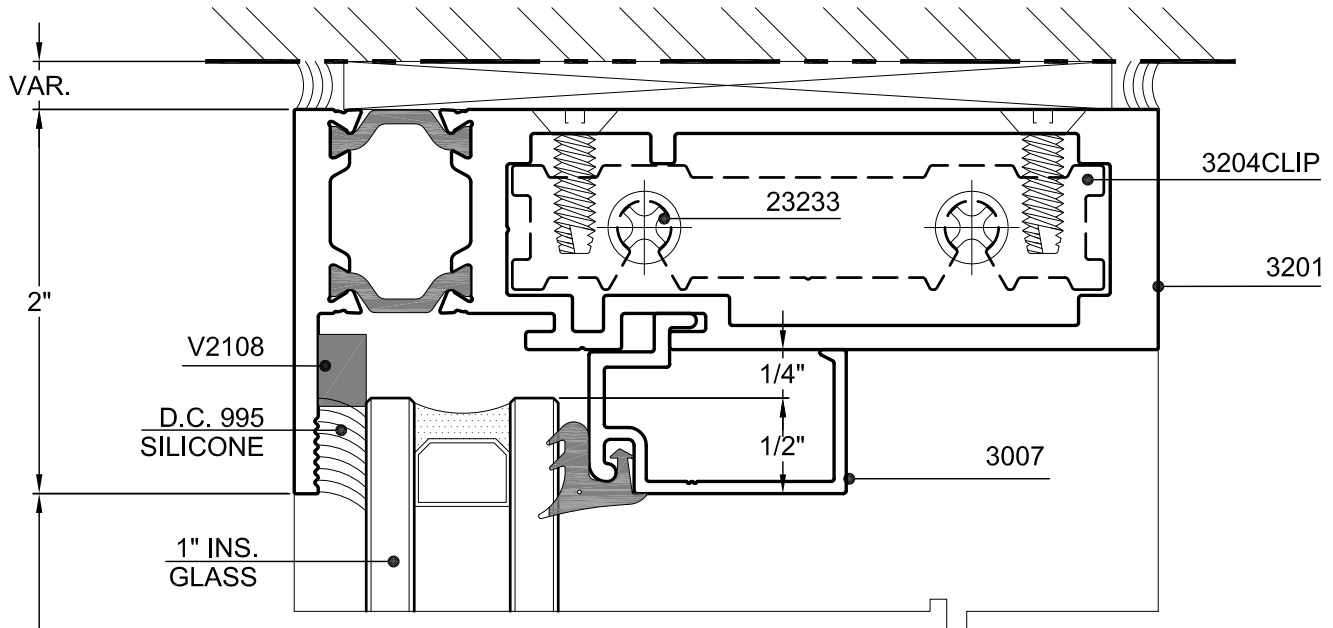
9/16" GLAZING OPTION



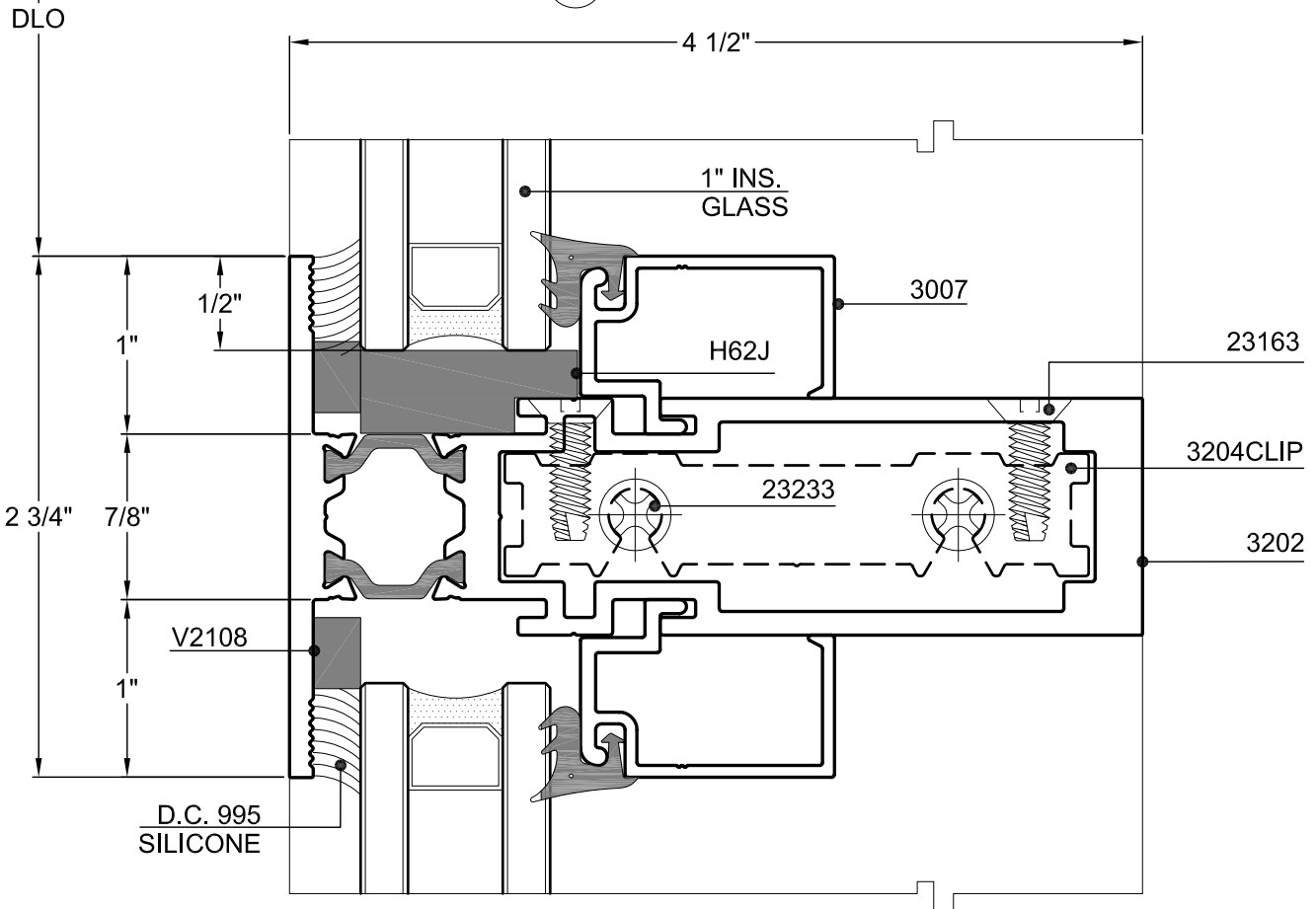
42 DOOR HEAD DETAIL



1" GLAZING OPTION

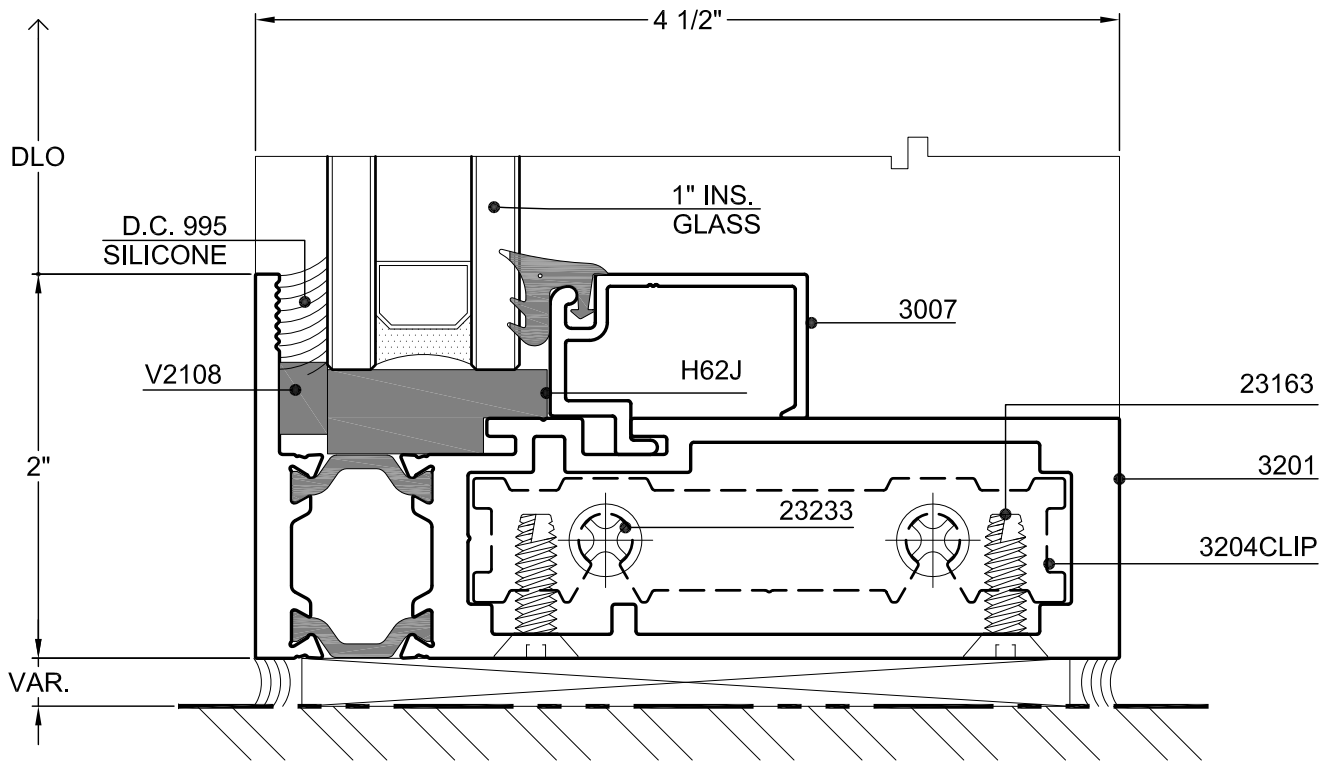


10A TYPICAL HEAD



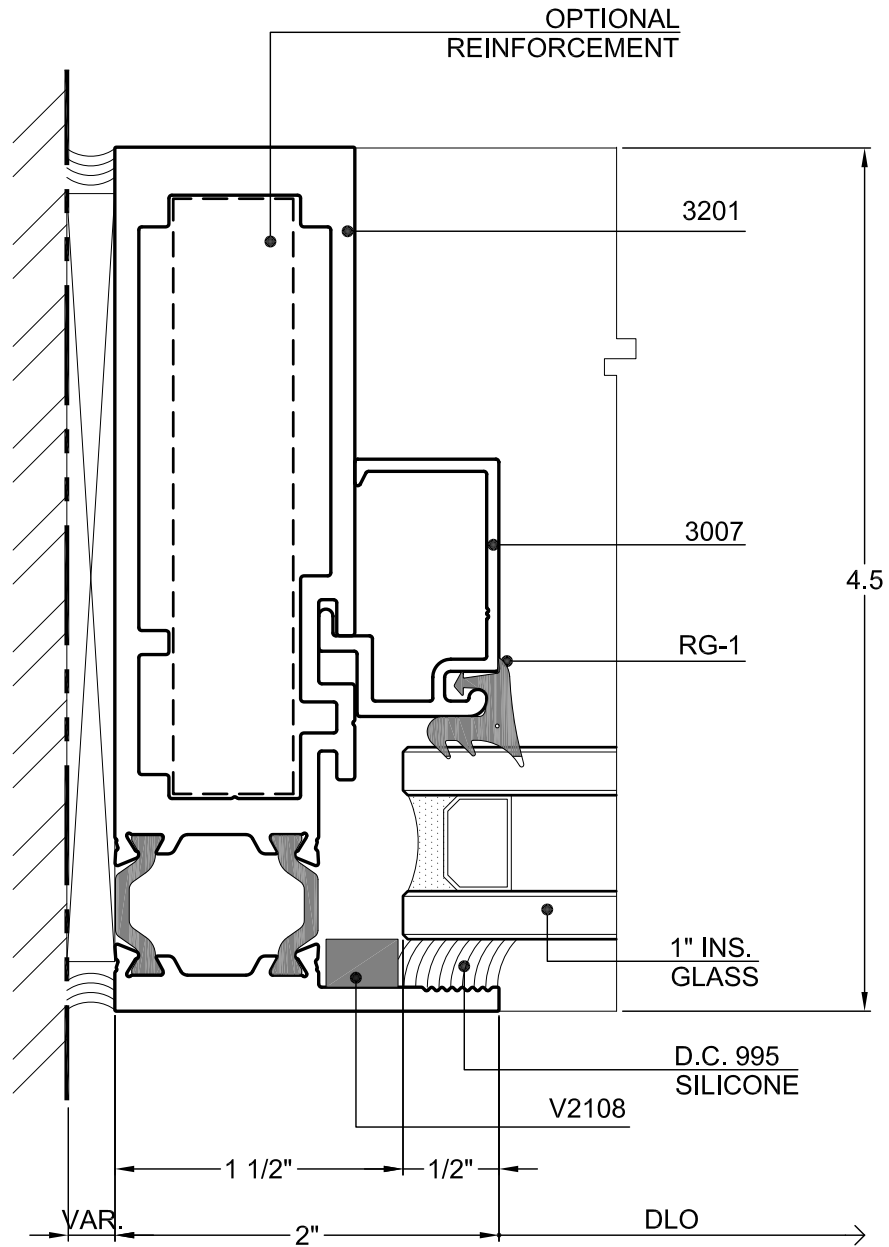
11A INTERMEDIATE HORIZONTAL





12A TYPICAL SILL

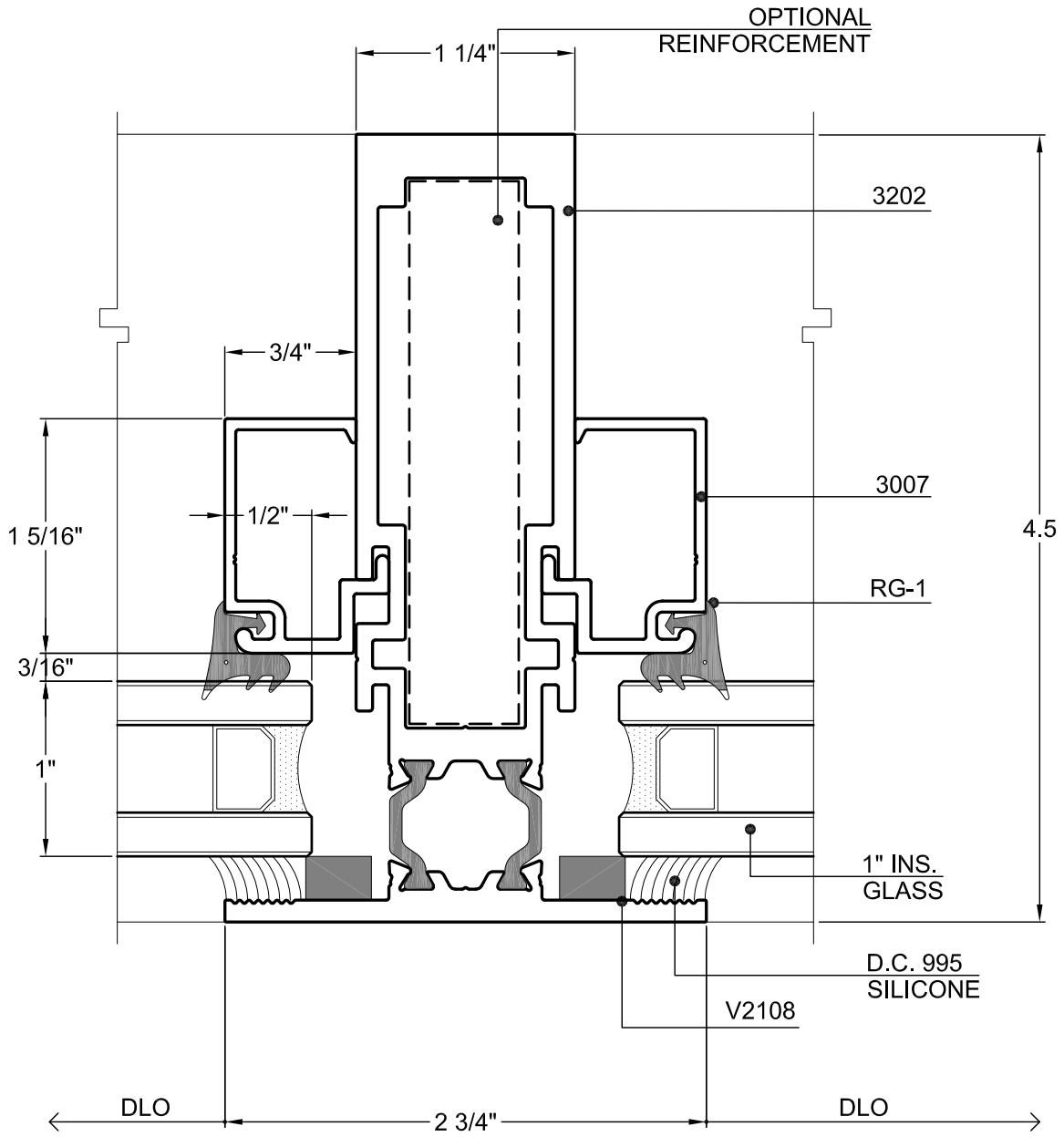




20A TYPICAL JAMB



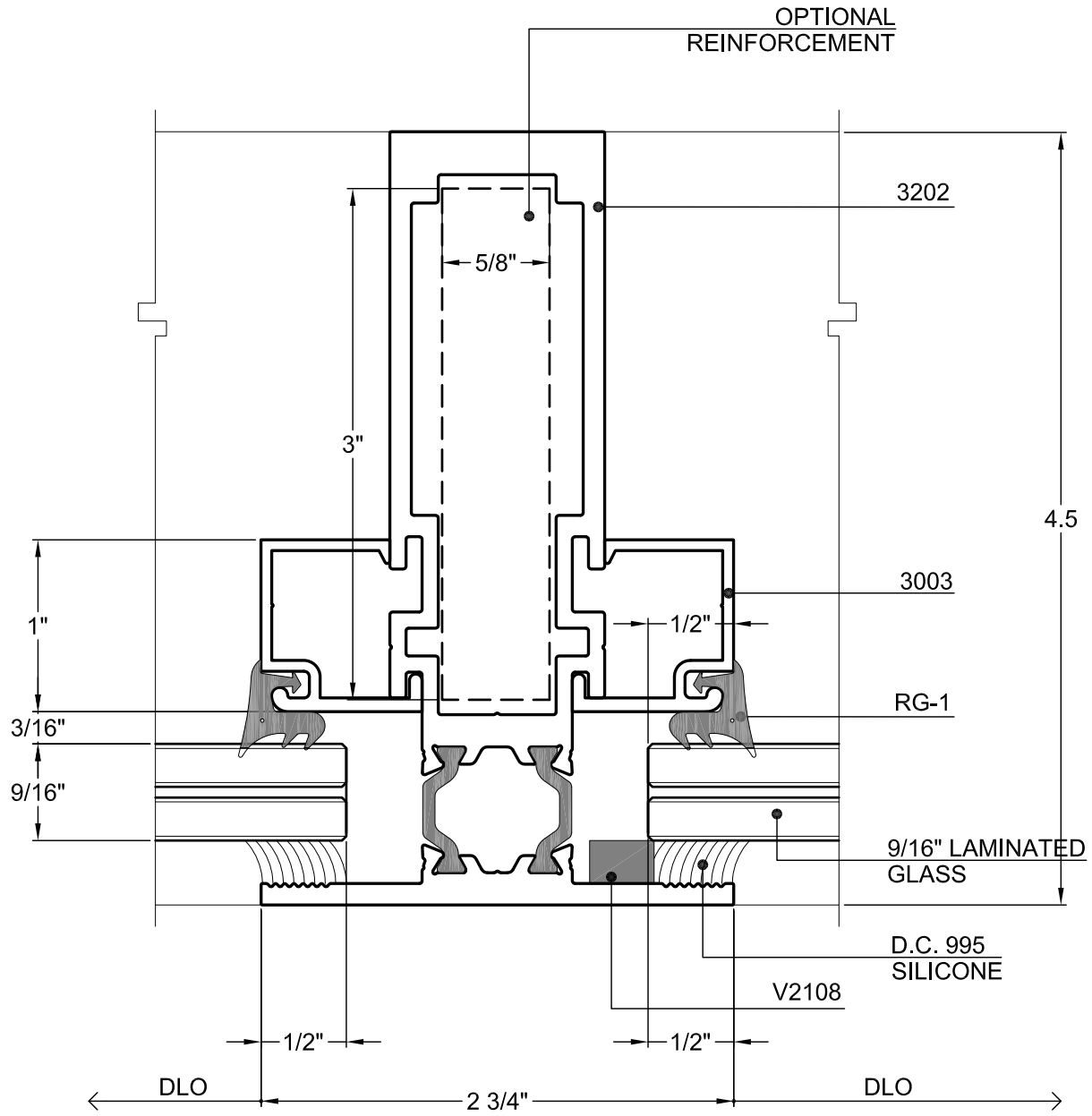
1" GLAZING OPTION



21A 1" GLAZING OPTION



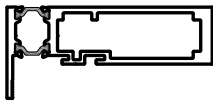
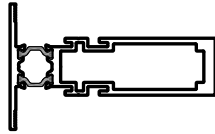










9/16" GLAZING OPTION



21B 9/16" GLAZING OPTION



SERIES 3200 PARTS TABLE

			
<p>3201 HEAD/SILL/JAMB</p>	<p>3202 INTERMEDIATE VERTICAL/HORIZONTAL</p>	<p>3204 OPTIONAL ALUMINUM REINFORCING</p>	<p>OPTIONAL 5/8" X 3" STEEL REINFORCING</p>
			
<p>3103 GLASS STOP</p>	<p>3003 OPTIONAL GLASS STOP</p>	<p>3108 TRANSOM GLASS STOP GUTTER</p>	<p>3109 TRANSOM GLASS STOP</p>
			
<p>3000 DOOR JAMB</p>	<p>10029 APPLIED DOOR STOP</p>		
			
<p>RG-1 EXTERIOR GLAZING GASKET</p>	<p>RG 5 DOOR STOP BULB GASKET</p>		

