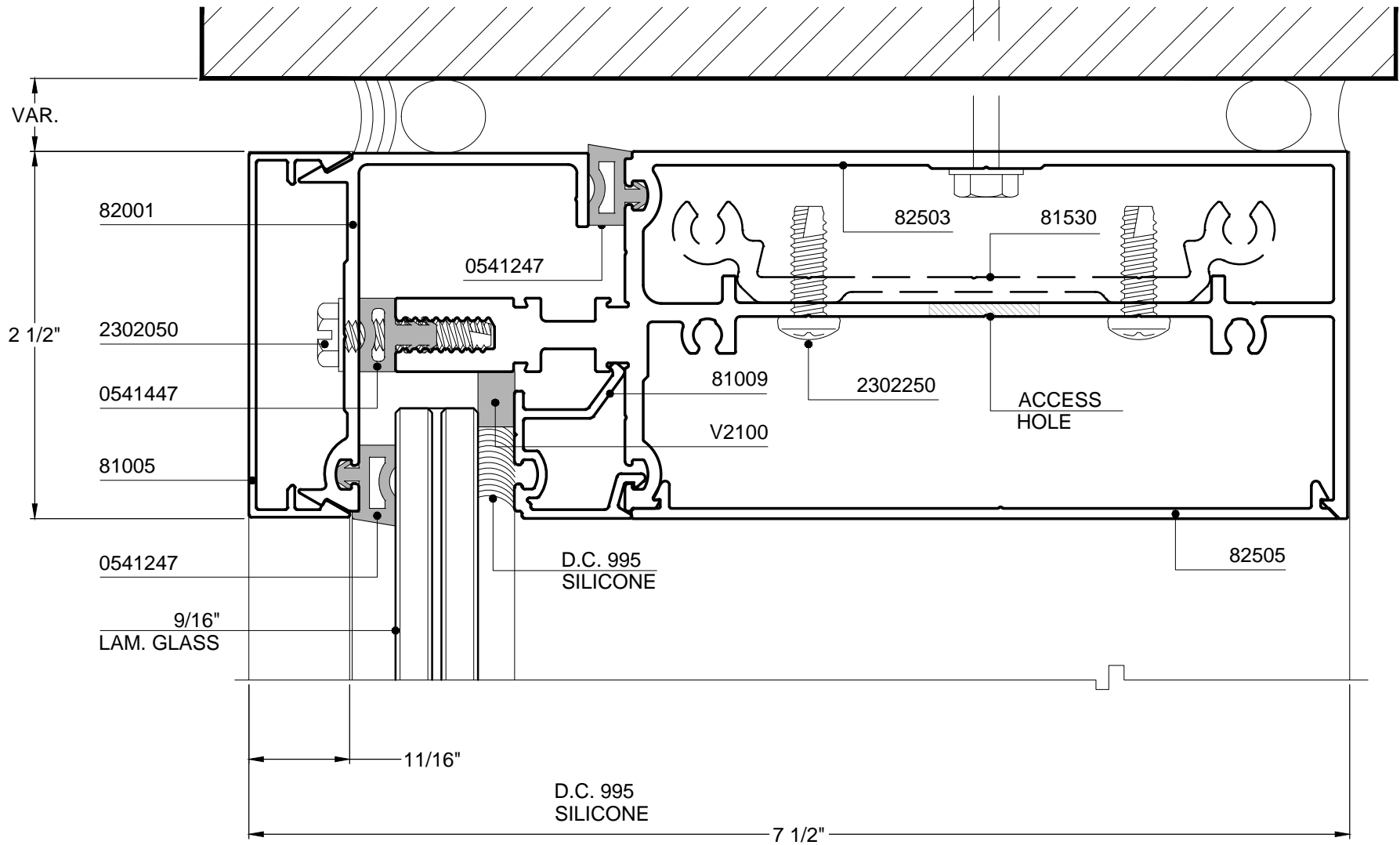


PERIMETER ANCHOR OR  
82591 'T' ANCHOR &  
82590 'F' ANCHOR



10A HEAD