

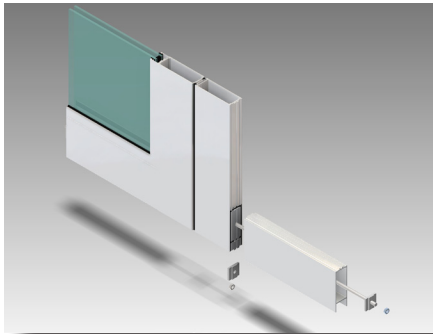


Entrances

ON TIME. ON SPEC. ON COST.

Trulite is proud to offer a comprehensive line of entrance doors designed and tested to meet any project requirement. Each door is constructed with an innovative inter-locking rail and vertical stile ensuring the structural integrity of the door while providing simple shop modifications. Top and bottom rails “nest” into the vertical stiles providing additional strength and eliminating unsightly raw edges and daylight from showing through at the corners.

Lifetime Corner Warranty



Inter-Locking Stile & Rail

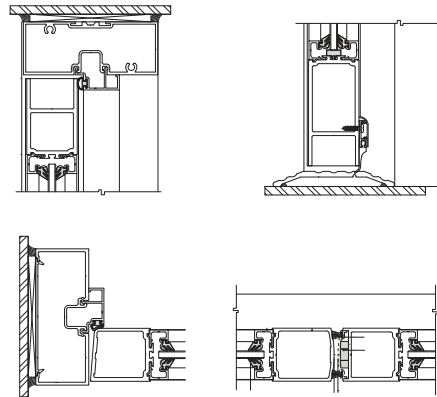
- Structural
- Aesthetic
- Performance

Tie-Rod Construction

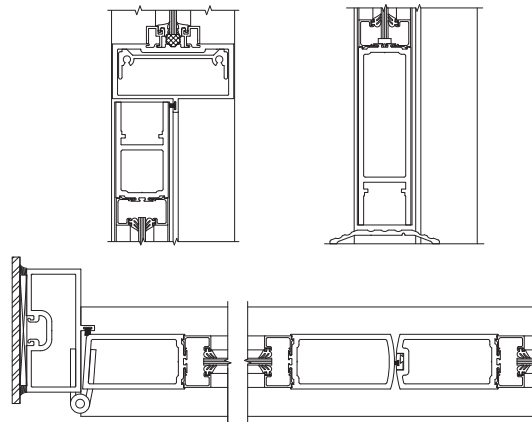
- Strong
- Durable
- Adaptable



Standard Entrances



Heavy Duty Entrances



Entrance Door Types	Door Thickness	Vertical Stile	Top Rail	Bottom Rail	Recommended Limits		Traffic Recommendation
					Single	Pair	
Series 200 Narrow Stile	1 3/4"	1 5/16"	2 1/2"	3 1/2"	42" x 96"	84" x 96"	Normal
Series 300 Medium Stile	1 3/4"	3 1/16"	3 1/2"	6 1/2"	42" x 108"	84" x 108"	Heavy to Abusive
Series 500 Wide Stile	1 3/4"	5"	5"	6 1/2"	42" x 108"	84" x 108"	Abusive
Magnum	2"	3 1/16"	3 1/2"	6 1/2"	42" x 108"	84" x 108"	Abusive
Varsity	2"	5"	5"	6 1/2"	42" x 108"	84" x 108"	Abusive

10" Bottom Rails may be substituted on the Non-Impact rated entrances listed above

Trulite Glass & Aluminum Solutions is proud to be your True Single Source Supplier of all your needs from Specification Sections: 08400, 08700, 08800 and 08900. Complete System Details are Available on www.trulite.com.

800 Fairway Drive, Suite 200 • Deerfield, FL 33441 • 800-432-8132

Entrances

Specifications



1.01 SUMMARY

- A. Section Includes: Aluminum Swing Doors, including:
 - 1. Trulite Series 200 Narrow Stile Swing Entrances.
 - 2. Trulite Series 300 Medium Stile Swing Entrances.
 - 3. Trulite Series 500 Wide Stile Swing Entrances.
- B. Related Sections:
 - 1. Glass and Glazing: Refer to Division 8 Glass and Glazing Section for glass and glazing requirements.
 - 2. Single Source Requirement: All products listed below shall be by the same manufacturer.
 - a. Section 08 41 13 Storefronts.
 - b. Section 08 44 13 Glazed Aluminum Curtain Walls.

1.02 SYSTEM PERFORMANCE DESCRIPTION

- A. Performance Requirements: Provide aluminum swing doors that comply with performance requirements indicated, as demonstrated by testing manufacturer's assemblies in accordance with test methods indicated.
 - 1. Air Infiltration shall be tested in accordance with ASTM E 283 at static pressure of 1.57 PSF (75 Pa). Infiltration shall not exceed the following:
 - a. For 200/300/500 Pair of Doors: 0.62 CFM/FT² of total door and frame area.
 - 2. Structural: Uniform Load Test in Accordance with ASTM E 330 at a static test pressure of +60psf/-70psf
 - 3. Forced Entry Resistance: 300 lbs.

1.06 WARRANTY

- A. Manufacturer's Warranty: Submit, for Owner's acceptance, manufacturer's standard warranty document executed by an authorized company official.
 - 1. Warranty Period: Manufacturer's two (2) year standard warranty commencing on the date of shipment by Trulite Glass & Aluminum Solutions, LLC.
 - 2. Door Corner: Limited Lifetime Warranty

PART 2 PRODUCTS

2.01 MANUFACTURERS (Acceptable Manufacturers/Products)

- A. Acceptable Manufacturers: Trulite Glass & Aluminum Solutions
 - 1. Narrow Stile Swing Doors: Trulite Series 200 Doors: 1⁵/₁₆" (49.2mm) Door Stiles
 - 2. Medium Stile Swing Doors: Trulite Series 300 Doors: 3¹/₁₆" (93.7 mm) Door Stiles
 - 3. Wide Stile Swing Doors: Trulite Series 500: 5" (127 mm) Door Stiles
 - 4. Heavy Duty Medium Stile Swing Doors: Trulite Magnum Series: 3¹/₁₆" (93.7 mm) Door Stiles
 - 5. Heavy Duty Wide Stile Swing Doors: Trulite Varsity Series: 5" (127 mm) Door Stiles
 - 6. Corner Construction: Interlocking corner design that conceals the raw edges of the rails preventing daylight from showing through and to prevent twisting. Tie-rod construction to permit modification without violating the corner warranty
 - 5. Glazing Stops: Manufacturer's standard snap-in glazing stops with EPDM glazing gaskets to prevent water infiltration.
 - 6. Weather-stripping: Manufacturer's standard pile type in replaceable rabbets for stiles; manufacturer's standard EPDM bulb type in door frames.
 - 7. Hardware: Manufacturer's standard as selected by Architect.

2.02 MATERIALS

- A. Extrusions: ASTM B 221 (ASTM B 221M), 6063-T5 Aluminum Alloy.

2.06 FINISHES

- A. Anodized Finishing in accordance with the requirements of AAMA 611.
 - 1. Architectural Class II, etched, medium matte, clear anodic coating, 0.4 mil minimum thickness.
 - 2. Architectural Class I, etched, medium matte, black, dark bronze, medium bronze, champagne colored anodic coating, 0.7 mil minimum thickness.
- B. High Performance Organic Coating in accordance with either AAMA 2604 or AAMA 2605
 - 1. Finish coat of 50% (AAMA 2604) or 70% (AAMA 2605) minimum fluorocarbon resin fused to primed surfaces at temperature recommended by manufacturer, 1.0 mil minimum dry film thickness. Color to be selected by architect.

Trulite Glass & Aluminum Solutions is proud to be your True Single Source Supplier of all your needs from Specification Sections: 08400, 08700, 08800 and 08900. Complete System Details are Available on www.trulite.com.

800 Fairway Drive, Suite 200 • Deerfield, FL 33441 • 800-432-8132