



Product Approval
USER: Public User

License efficiently. Regulate fairly.

[Product Approval Menu](#) > [Product or Application Search](#) > [Application List](#) > **Application Detail**

OFFICE OF THE SECRETARY

| FL # | FL18454 | | | | | | | | | | |
|--|---|-----------------|-------------|----------|------|-----------|------|-----------|------|-----------|------|
| Application Type | New | | | | | | | | | | |
| Code Version | 2014 | | | | | | | | | | |
| Application Status | Approved | | | | | | | | | | |
| Comments | | | | | | | | | | | |
| Archived | <input type="checkbox"/> | | | | | | | | | | |
| Product Manufacturer | TRULITE GLASS & ALUMINUM SOLUTIONS | | | | | | | | | | |
| Address/Phone/Email | 10200 NW 67th St Tamarac, FL 33321 (800) 432-8132 Ext 1167 bdeato@trulite.com | | | | | | | | | | |
| Authorized Signature | Bong Deato bdeato@trulite.com | | | | | | | | | | |
| Technical Representative | Bong Deato | | | | | | | | | | |
| Address/Phone/Email | 800 Fairway Drive Suite 200 Deerfield Beach, FL 33441 (800) 432-8132 bdeato@trulite.com | | | | | | | | | | |
| Quality Assurance Representative | | | | | | | | | | | |
| Address/Phone/Email | | | | | | | | | | | |
| Category | Panel Walls | | | | | | | | | | |
| Subcategory | Curtain Walls | | | | | | | | | | |
| Compliance Method | Evaluation Report from a Florida Registered Architect or a Licensed Florida Professional Engineer <input type="checkbox"/> Evaluation Report - Hardcopy Received | | | | | | | | | | |
| Florida Engineer or Architect Name who developed the Evaluation Report | Elizabeth A. Broadway, P.A. | | | | | | | | | | |
| Florida License | PE-38558 | | | | | | | | | | |
| Quality Assurance Entity | Keystone Certifications, Inc. | | | | | | | | | | |
| Quality Assurance Contract Expiration Date | 01/03/2023 | | | | | | | | | | |
| Validated By | Steven M. Urich, PE <input checked="" type="checkbox"/> Validation Checklist - Hardcopy Received | | | | | | | | | | |
| Certificate of Independence | FL18454_R0_COI_SW700-cert-of-ind.pdf | | | | | | | | | | |
| Referenced Standard and Year (of Standard) | <table border="0"> <thead> <tr> <th>Standard</th> <th>Year</th> </tr> </thead> <tbody> <tr> <td>AAMA 501</td> <td>2005</td> </tr> <tr> <td>ASTM E283</td> <td>2004</td> </tr> <tr> <td>ASTM E330</td> <td>2002</td> </tr> <tr> <td>ASTM E331</td> <td>2000</td> </tr> </tbody> </table> | Standard | Year | AAMA 501 | 2005 | ASTM E283 | 2004 | ASTM E330 | 2002 | ASTM E331 | 2000 |
| Standard | Year | | | | | | | | | | |
| AAMA 501 | 2005 | | | | | | | | | | |
| ASTM E283 | 2004 | | | | | | | | | | |
| ASTM E330 | 2002 | | | | | | | | | | |
| ASTM E331 | 2000 | | | | | | | | | | |
| Equivalence of Product Standards Certified By | Approved Testing Lab FL18454_R0_Equiv_LETTER-Test Equivalency (SW700).pdf | | | | | | | | | | |

Sections from the Code

Product Approval Method Method 1 Option D

Date Submitted 08/31/2015

Date Validated 09/08/2015

Date Pending FBC Approval 09/20/2015

Date Approved 12/15/2015

Summary of Products

| FL # | Model, Number or Name | Description |
|--|-----------------------|---|
| 18454.1 | SW700 CURTAIN WALL | SW700 Single-Span Curtain Wall for 1" Glazing Captured or Butt Glazed. |
| Limits of Use Approved for use in HVHZ: No Approved for use outside HVHZ: Yes Impact Resistant: No Design Pressure: +60/-60 Other: 2 1/2" x 5" Back Member. | | Installation Instructions FL18454_R0_II_SW-700-drawings.pdf Verified By: ELIZABETH BROADWAY, PE 38558 Created by Independent Third Party: Yes Evaluation Reports FL18454_R0_AE_SW700-evaluation.pdf Created by Independent Third Party: Yes |

[Back](#)

[Next](#)

Contact Us :: 1940 North Monroe Street, Tallahassee FL 32399 Phone: 850-487-1824

The State of Florida is an AA/EEO employer. [Copyright 2007-2013 State of Florida.](#) :: [Privacy Statement](#) :: [Accessibility Statement](#) :: [Refund Statement](#)

Under Florida law, email addresses are public records. If you do not want your e-mail address released in response to a public-records request, do not send electronic mail to this entity. Instead, contact the office by phone or by traditional mail. If you have any questions, please contact 850.487.1395. *Pursuant to Section 455.275(1), Florida Statutes, effective October 1, 2012, licensees licensed under Chapter 455, F.S., must provide the Department with an email address if they have one. The emails provided may be used for official communication with the licensee. However email addresses are public record. If you do not wish to supply a personal address, please provide the Department with an email address which can be made available to the public. To determine if you are a licensee under Chapter 455, F.S., please click [here](#).

Product Approval Accepts:



FLORIDA PRODUCT APPROVAL DRAWINGS

SERIES SW700 CAPTURED AND BUTT GLAZED CURTAIN WALL

GENERAL NOTES:

TEST STANDARDS

AIR - ASTM E283
 WATER - ASTM E331
 STATIC - ASTM E330

DESIGN PRESSURE

+60/-60 psf
 WATER INFILTRATION: 20 PSF
 AIR INFILTRATION: 6.24 PSF

TYPICAL GLASS BITE IS 1/2" UNLESS OTHERWISE NOTED
 3/4" MAX, SHIM SPACE @ PERIMETER UNLESS OTHERWISE NOTED
 ALUMINUM EXTRUSIONS ARE 6063-T6 ALLOY AND TEMPER

THIS PRODUCT HAS BEEN DESIGNED AND TESTED TO COMPLY WITH FLORIDA BUILDING CODE EDITION 2014. THIS PRODUCT IS NOT APPROVED FOR USE IN THE HIGH VELOCITY HURRICANE ZONES.

ABBREVIATIONS:

D.L.O. = DAY LIGHT OPENING
 TYP. = TYPICAL

| SHEET | INDEX TO DRAWINGS |
|-------|--------------------------------------|
| 1 | INDEX TO DRAWINGS AND NOTES |
| 2 | FRAMING ELEVATION - CAPTURED MULLION |
| 3 | FRAMING ELEVATION - BUTT BLAZED |
| 4 | FRAMING DETAILS - CAPTURED |
| 5 | FRAMING DETAILS - CAPTURED |
| 6 | FRAMING DETAILS - BUTT GLAZED |
| 7 | CAPTURED ISOMETRIC DETAILS |
| 8 | CAPTURED ISOMETRIC DETAILS |
| 9 | BUTT GLAZED ISOMETRIC DETAILS |
| 10 | BUTT GLAZED ISOMETRIC DETAILS |
| 11 | GLAZING SCHEDULE & ANCHOR TYPES |
| 12 | BILL OF MATERIALS |
| 13 | DIE DRAWINGS |



http://www.trulite.com
 403 Westpark Court Suite 201
 Peachtree City, GA 30269
 p. 800-432-8132 | f. 954-724-2083

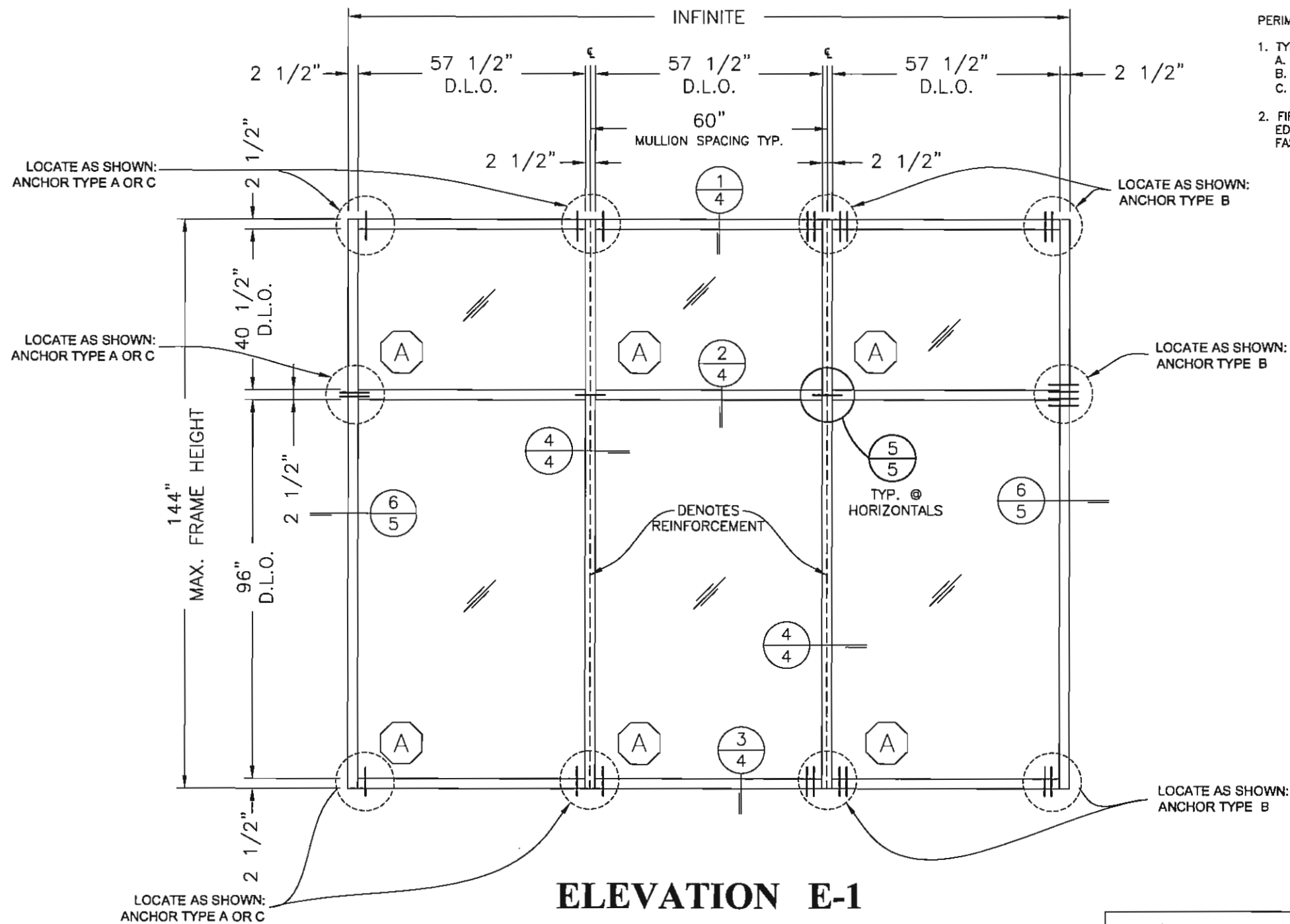
PRODUCT:
SERIES SW700
 CAPTURED AND BUTT GLAZED CURTAIN WALL

| REVN | DATE/REMARKS |
|------|--------------|
| | |
| | |

ENGINEER:
BROADWAY ENGINEERING
 CIVIL, MECHANICAL, STRUCTURAL & BUILDING DESIGN
 1335 W. CASS STREET TAMPA, FL 33608
 P.813-251-0244 | F.813-251-0330 | www.broadway-eng.com
 BE-4440
 ELIZABETH A. BROADWAY, P.E.
 FL REG # 38558 | CA # 4599

STAMP:

PRODUCT CONTROL APPROVAL:



- PERIMETER FASTENERS:
- TYPICAL INSTALLATION INTO SUBSTRATES
 - A. 3000 PSI CONCRETE
 - B. STEEL: 18 GA. MIN.
 - C. STEEL: HOT ROLLED, 1/4" MIN.
 - FIRST ANCHOR IS 2" FROM INSIDE EDGE OF VERTICAL. EACH ADDITIONAL FASTENER IS AT REQUIRED MIN. SPACING.

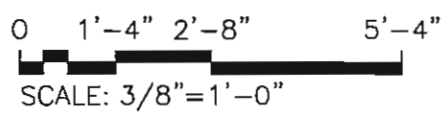
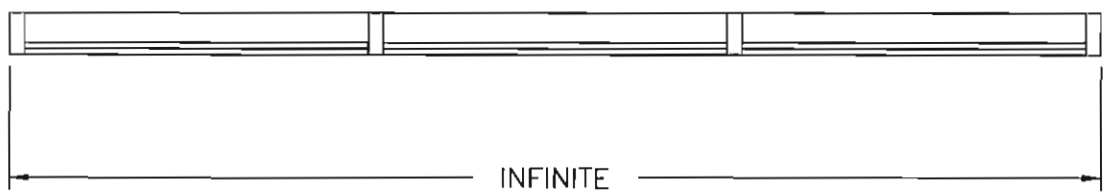
NOTE:
JAMB ANCHORS AT WALL LOCATIONS ONLY

ELEVATION E-1 CAPTURED MULLION

SEE SHEET 11 FOR ANCHORS

PERIMETER FASTENER LEGEND
 ⊖ ⊕ EACH LINE REPRESENTS ONE FASTENER

- NOTES:
- D.L.O. = DAYLIGHT OPENING
 - GLASS SIZE = D.L.O. + 1"
- TEST PARAMETERS:
- DESIGN PRESSURE = +/- 60 PSF
 - AIR TEST AT 6.24 PSF
 - WATER TEST AT 20 PSF



Trulite
GLASS & ALUMINUM SOLUTIONS™
http://www.trulite.com
403 Westpark Court Suite 201
Peachtree City, GA 30269
p. 800-432-8132 | f. 854-724-2083

PRODUCT:
SERIES SW700
CAPTURED AND BUTT GLAZED CURTAIN WALL
Resistor
PRODUCT SERIES

| REVN | DATE/REMARKS |
|------|--------------|
| | |
| | |

ENGINEER:
BROADWAY ENGINEERING
CIVIL, MECHANICAL, STRUCTURAL & BUILDING DESIGN
1335 W. CASS STREET TAMPA, FL 33608
P. 813-251-8244 | F. 813-251-8330 | www.broadway-eng.com
BE-4440
ELIZABETH A. BROADWAY, P.E.
FL REG # 38558 | CA # 4599

STAMP:

 ELIZABETH A. BROADWAY
 PROFESSIONAL ENGINEER
 FLORIDA REGISTRATION NO. 38558

PRODUCT CONTROL APPROVAL:

| | |
|---------------|----------------|
| DRAWN: O.E.G. | DRAWING No: |
| DATE: 8/5/15 | 2 OF 13 |
| DWG: SW700 | |

PRODUCT:

SERIES SW700

CAPTURED AND
BUTT GLAZED
CURTAIN WALL



| REVN | DATE/REMARKS |
|------|--------------|
| | |
| | |
| | |

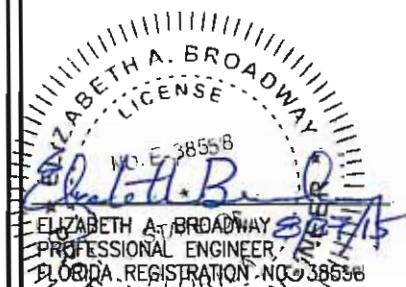
ENGINEER:

BROADWAY ENGINEERING

CIVIL, MECHANICAL, STRUCTURAL & BUILDING DESIGN
1335 W. CASS STREET TAMPA, FL 33606
P.813-251-9244 | F.813-251-9330 | www.broadway-eng.com
BE-4440

ELIZABETH A. BROADWAY, P.E.
FL REG # 38558 | CA # 4599

STAMP:



PRODUCT CONTROL APPROVAL:

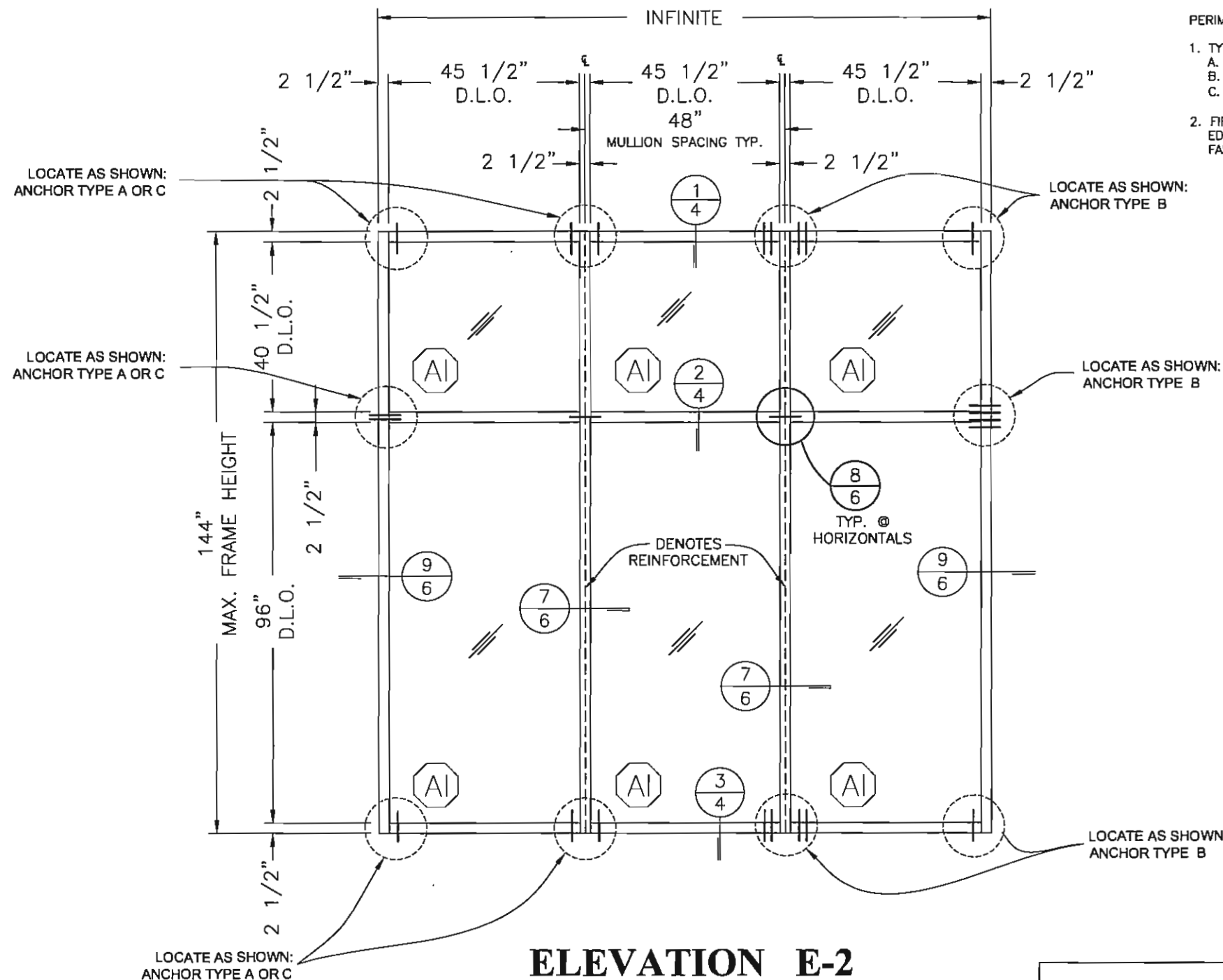
DRAWN: D.E.G.
DATE: 8/5/15
DWG: SW700

DRAWING No:
3 OF 13

PERIMETER FASTENERS:

- TYPICAL INSTALLATION INTO SUBSTRATES
 - 3000 PSI CONCRETE
 - STEEL: 18 GA. MIN.
 - STEEL: HOT ROLLED, 1/4" MIN.
- FIRST ANCHOR IS 2" FROM INSIDE EDGE OF VERTICAL. EACH ADDITIONAL FASTENER IS AT REQUIRED MIN. SPACING.

NOTE:
JAMB ANCHORS AT
WALL LOCATIONS ONLY



**ELEVATION E-2
BUTT GLAZED MULLION**

SEE SHEET 11 FOR ANCHORS

PERIMETER FASTENER LEGEND

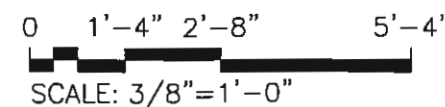


NOTES:

- D.L.O. = DAYLIGHT OPENING
- GLASS SIZE = D.L.O. + 1" (CAPTURED)
- GLASS SIZE = D.L.O. + 2" (BUTT GLAZED MULLIONS ONLY)

TEST PARAMETERS:

- DESIGN PRESSURE = +/- 60 PSF
- AIR TEST AT 6.24 PSF
- WATER TEST AT 20 PSF



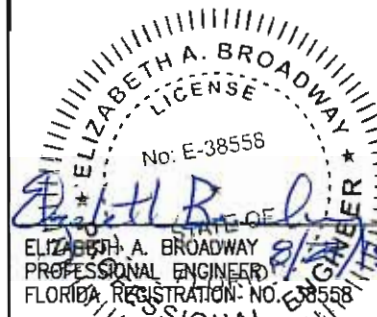
PRODUCT:
SERIES SW700

CAPTURED AND
BUTT GLAZED
CURTAIN WALL

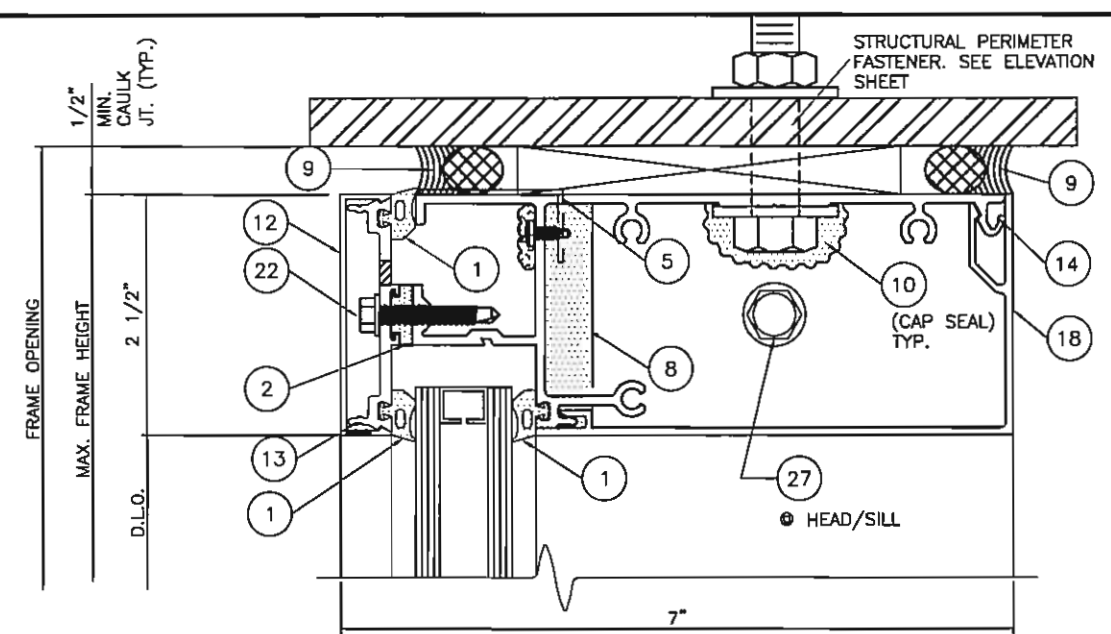
Resistor
PRODUCT SERIES

| REVN | DATE/REMARKS |
|------|--------------|
| | |
| | |
| | |

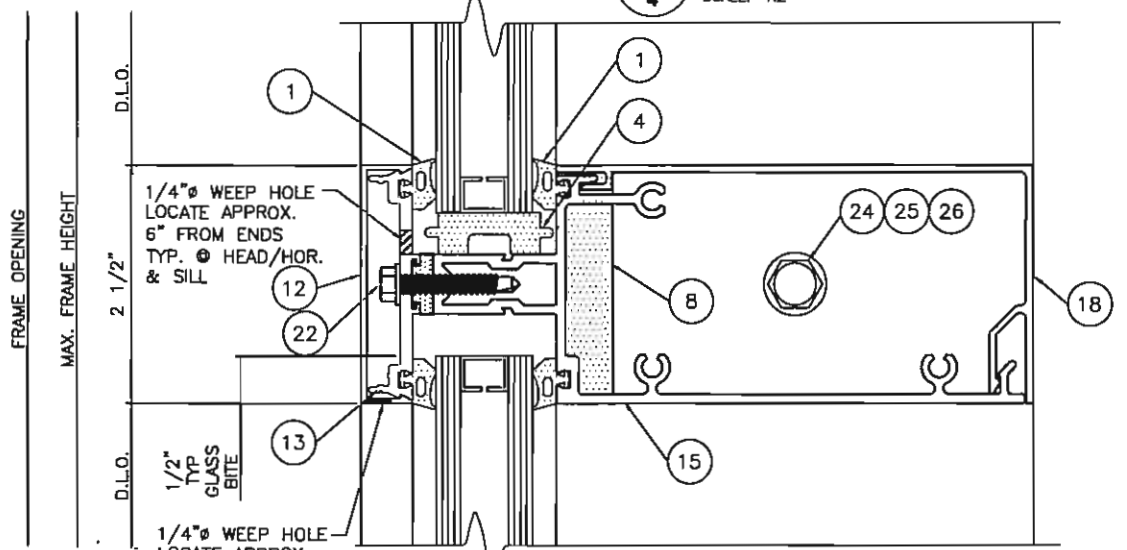
ENGINEER:
BROADWAY ENGINEERING
CIVIL, MECHANICAL, STRUCTURAL & BUILDING DESIGN
1335 W. CASS STREET TAMPA, FL 33606
P.813-251-9244 | F.813-251-9330 | www.broadway-eng.com
BE-4440
ELIZABETH A. BROADWAY, P.E.
FL REG # 38558 | CA # 4599

STAMP:


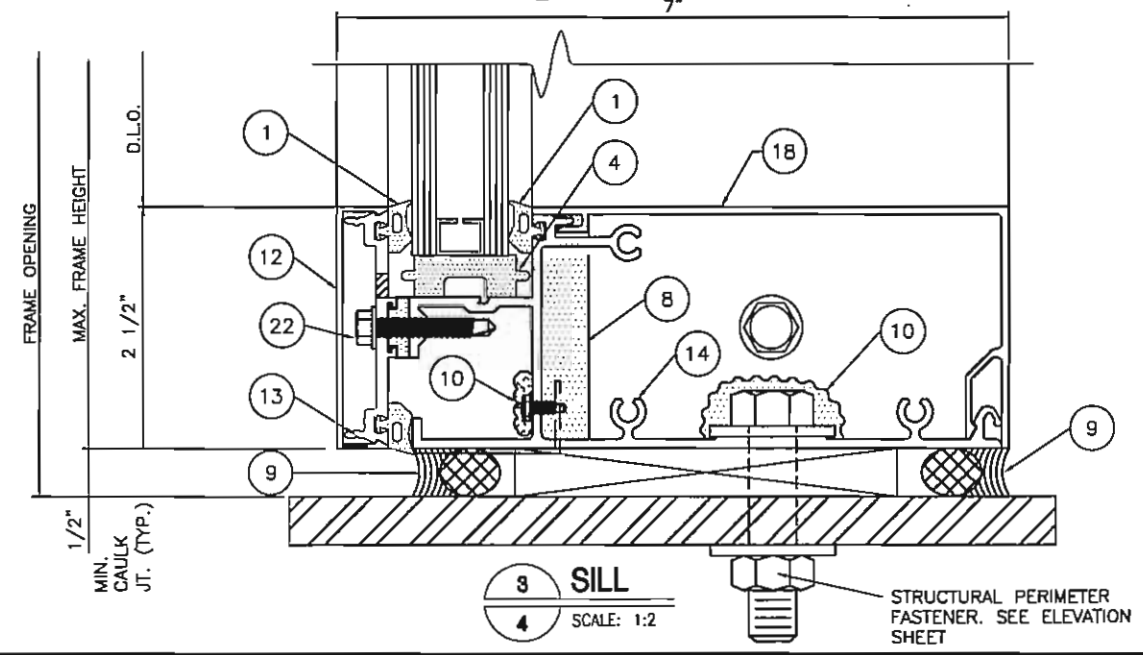
PRODUCT CONTROL APPROVAL:



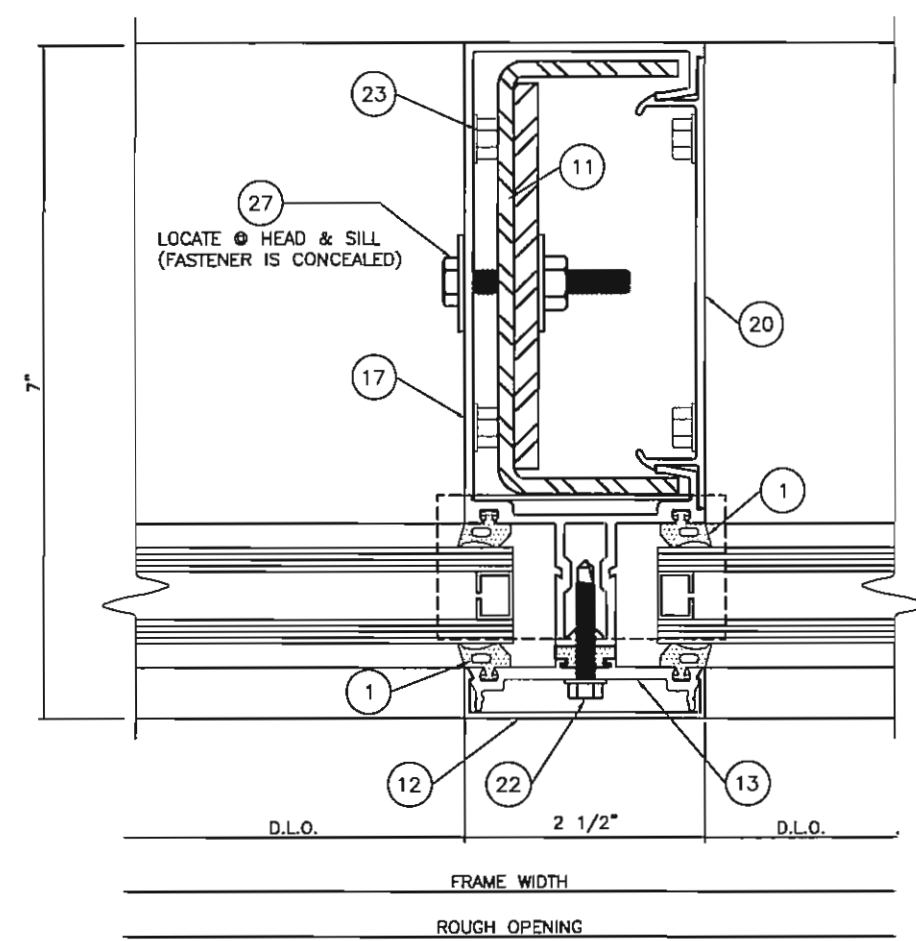
1 HEAD
4 SCALE: 1:2



2 INTERMEDIATE HOR.
4 SCALE: 1:2



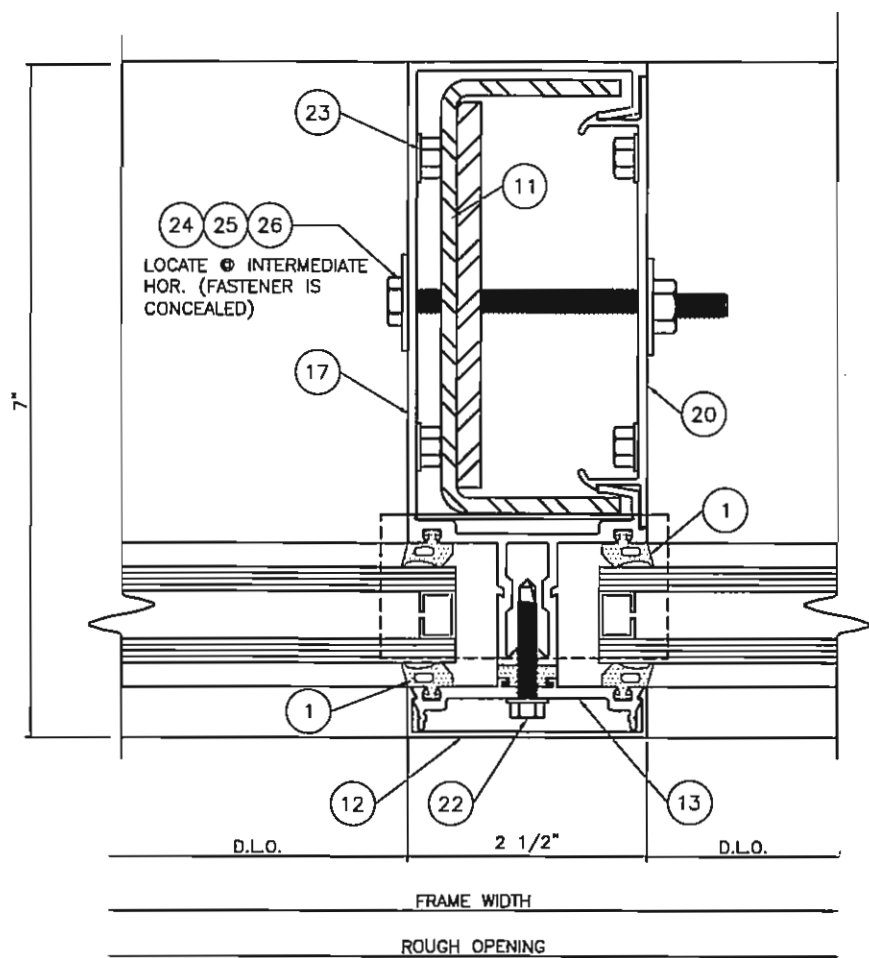
3 SILL
4 SCALE: 1:2



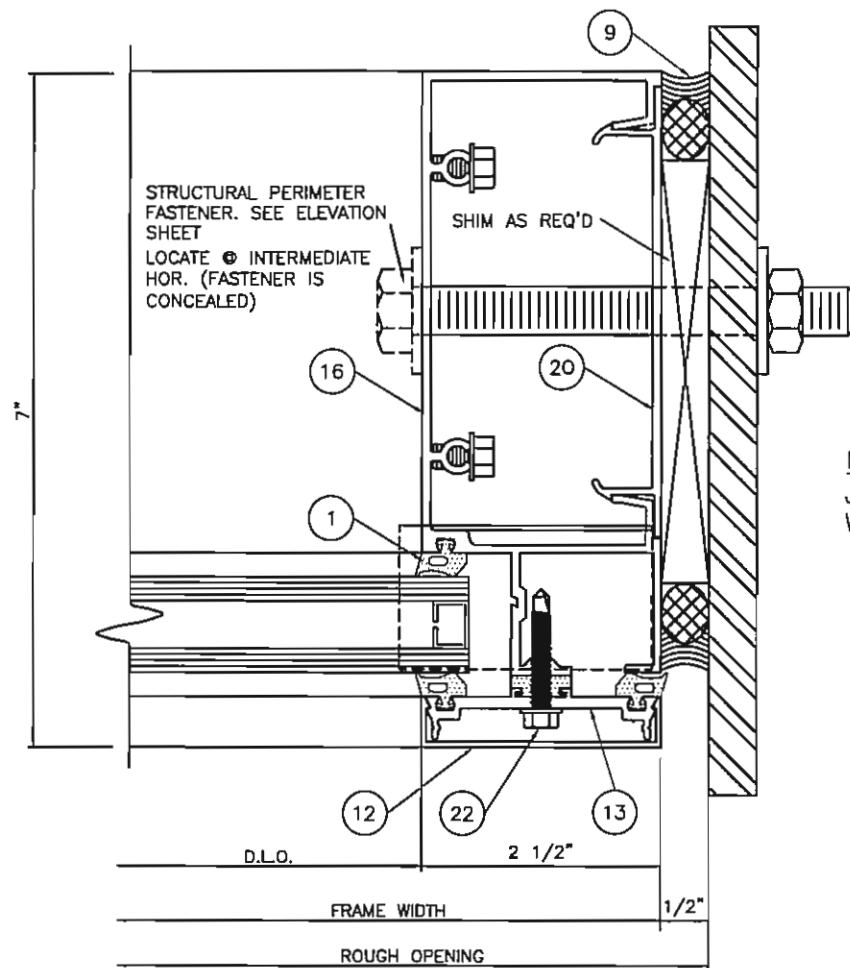
4 CAPTURED VERTICAL MULLION
4 SCALE: 1:2

- 1 TYPICAL INTERIOR/ EXTERIOR GASKET
- 2 TYPICAL PRESSURE BAR ISOLATOR
- 8 TYPICAL @ ALL JOINT INTERSECTIONS
- 9 TYPICAL PERIMETER SEALANT
- 10 TYPICAL INTERIOR SEALANT
- 23 TYPICAL AT ALL SPLINES

INTERIOR IS ON RIGHT HAND SIDE OF VERTICAL SECTION CUTS UNLESS OTHERWISE NOTED



5 CAPTURED VERTICAL MULLION @ HORIZONTAL
 5 SCALE: 1:2



NOTE:
 JAMB ANCHORS AT
 WALL LOCATIONS ONLY

6 CAPTURED JAMB MULLION @ HORIZONTAL
 5 SCALE: 1:2

- 1 TYPICAL INTERIOR/
EXTERIOR GASKET
- 2 TYPICAL PRESSURE
BAR ISOLATOR
- 8 TYPICAL @ ALL JOINT
INTERSECTIONS
- 9 TYPICAL PERIMETER
SEALANT
- 10 TYPICAL INTERIOR
SEALANT
- 23 TYPICAL AT ALL
SPLINES

INTERIOR IS ON RIGHT HAND
 SIDE OF VERTICAL SECTION
 CUTS UNLESS OTHERWISE
 NOTED

Trulite
 GLASS & ALUMINUM SOLUTIONS
<http://www.trulite.com>
 403 Westpark Court Suite 201
 Peachtree City, GA 30269
 p. 800-432-8132 | f. 954-724-2083

PRODUCT:
SERIES SW700
 CAPTURED AND
 BUTT GLAZED
 CURTAIN WALL
Resistor
 PRODUCT SERIES

| REVN | DATE/REMARKS |
|------|--------------|
| | |
| | |

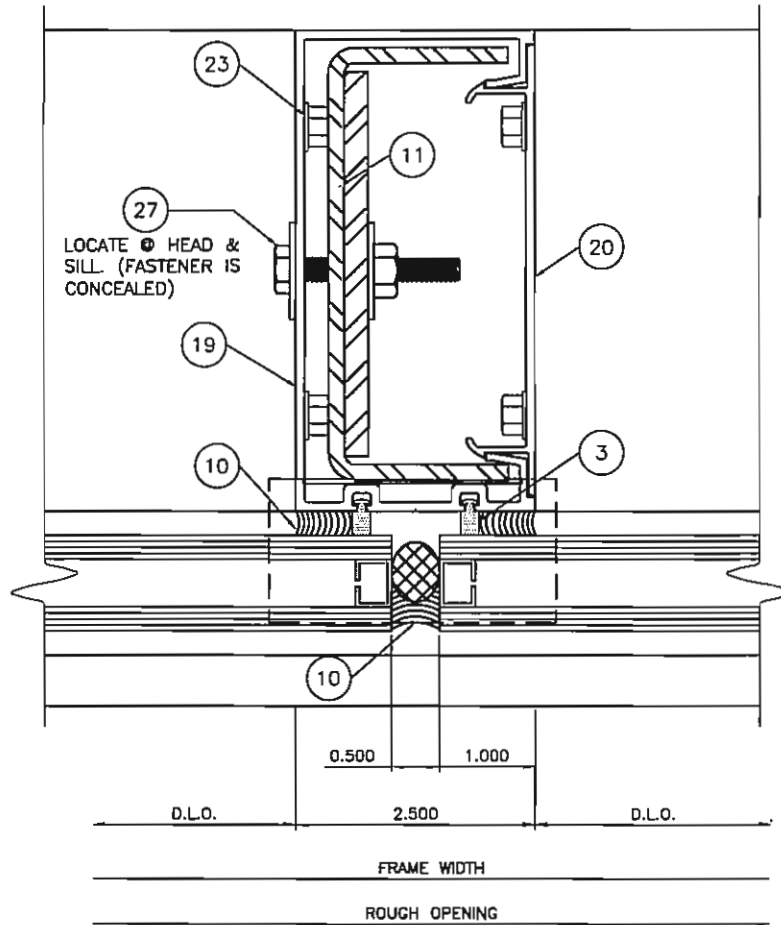
ENGINEER:
B BROADWAY ENGINEERING
 CIVIL, MECHANICAL, STRUCTURAL & BUILDING DESIGN
 1335 W. GASS STREET TAMPA, FL 33606
 P. 813-251-9244 | F. 813-251-9330 | www.broadway-eng.com
 BE-4440
 ELIZABETH A. BROADWAY, P.E.
 FL REG # 38558 | CA # 4599

STAMP:

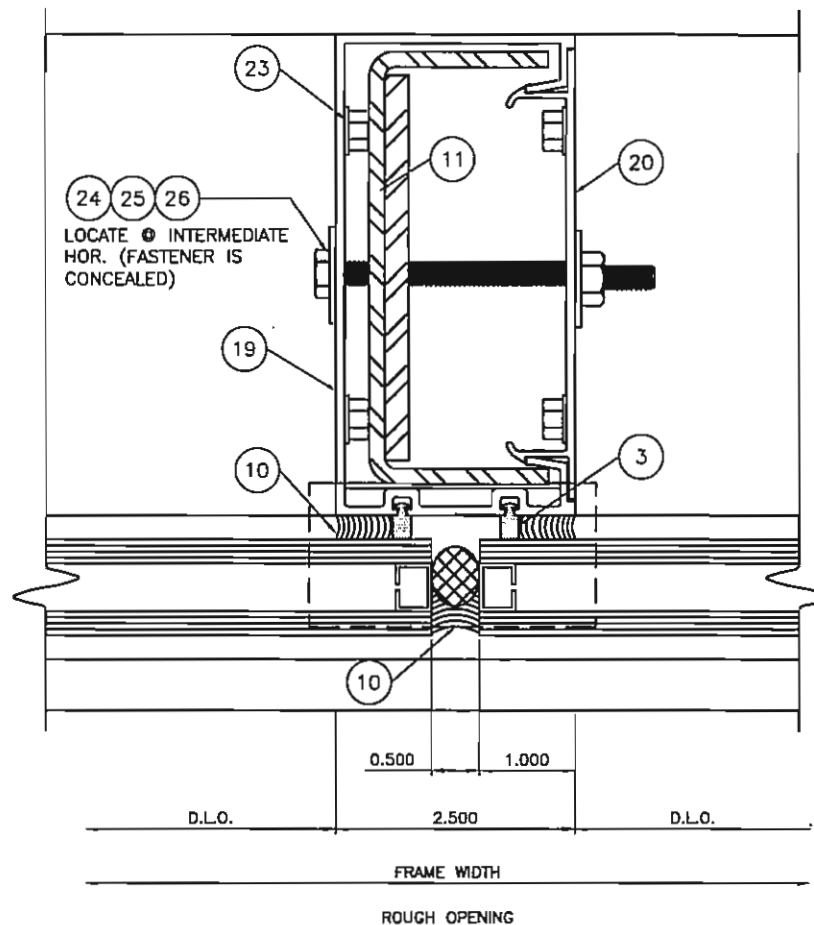
 ELIZABETH A. BROADWAY
 PROFESSIONAL ENGINEER
 FLORIDA REGISTRATION NO. 38558

PRODUCT CONTROL APPROVAL:

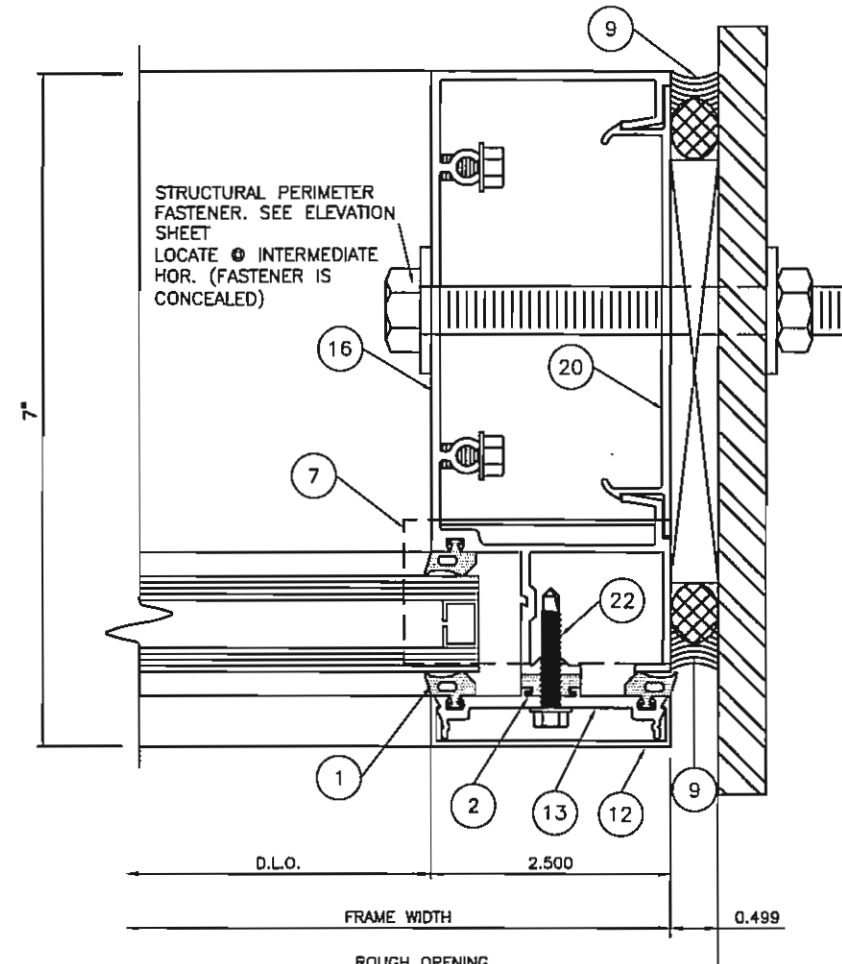
| | |
|---------------|----------------|
| DRAWN: D.E.G. | DRAWING No: |
| DATE: 8/5/15 | 5 OF 13 |
| DWG: SW700 | |



7 BUTT GLAZED VERTICAL MULLION
6 SCALE: 1:2



8 BUTT GLAZED VERTICAL MULLION @ HORIZONTAL
6 SCALE: 1:2



9 BUTT GLAZED JAMB
6 SCALE: 1:2

1 TYPICAL INTERIOR/
EXTERIOR GASKET

2 TYPICAL PRESSURE
BAR ISOLATOR

9 TYPICAL PERIMETER
SEALANT

10 TYPICAL INTERIOR
SEALANT & STRUCTURAL
SEALANT @ GLASS

23 TYPICAL AT ALL
SPLINES

PRODUCT:

SERIES SW700

CAPTURED AND
BUTT GLAZED
CURTAIN WALL

Resistor
PRODUCT SERIES

| REVN | DATE/REMARKS |
|------|--------------|
| | |
| | |
| | |

ENGINEER:

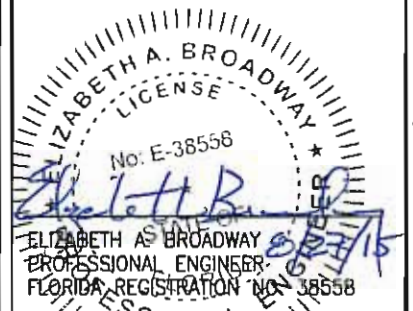
**B BROADWAY
ENGINEERING**

CIVIL, MECHANICAL, STRUCTURAL & BUILDING DESIGN
1335 W. GASS STREET TAMPA, FL 33606
P.813-251-0244 | F.813-251-8330 | www.broadway-eng.com

BE-4440

ELIZABETH A. BROADWAY, P.E.
FL REG # 38558 | CA # 4599

STAMP:



PRODUCT/CONTROL APPROVAL:

DRAWN: D.E.G.

DRAWING No:

DATE: 8/5/15

6 OF 13

DWG: SW700

PRODUCT:

SERIES SW700

CAPTURED AND
BUTT GLAZED
CURTAIN WALL

Resistor
PRODUCT SERIES

| REVN | DATE/REMARKS |
|------|--------------|
| | |
| | |
| | |

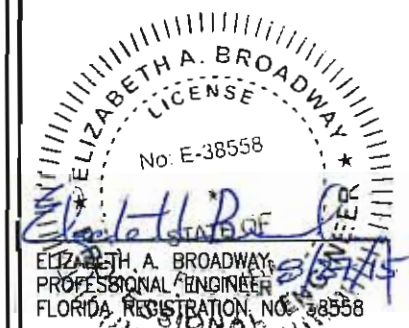
ENGINEER:

**B BROADWAY
ENGINEERING**

CIVIL, MECHANICAL, STRUCTURAL & BUILDING DESIGN
1335 W. CASS STREET TAMPA, FL 33606
P.813-251-9244 | F.813-251-9330 | www.broadway-eng.com
BE-4440

ELIZABETH A. BROADWAY, P.E.
FL REG # 38558 | CA # 4599

STAMP:



PRODUCT CONTROL APPROVAL:

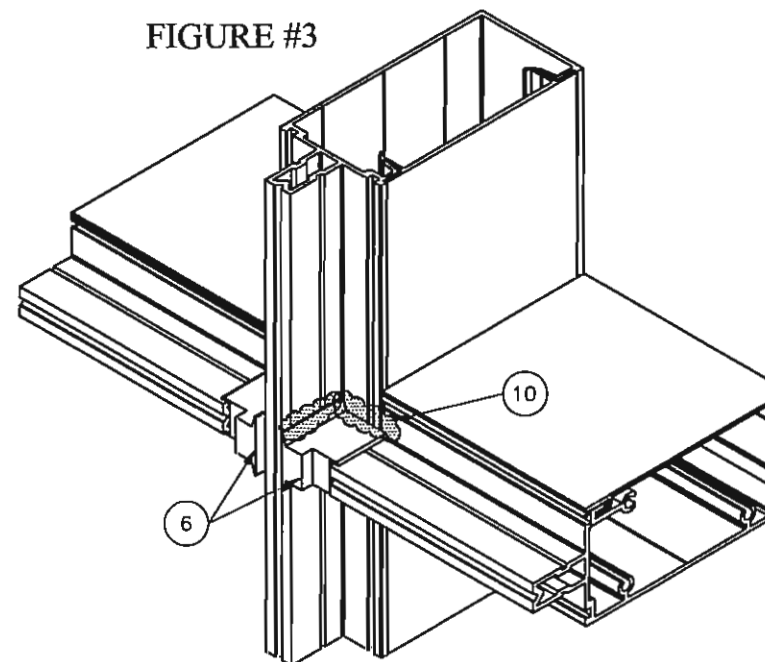
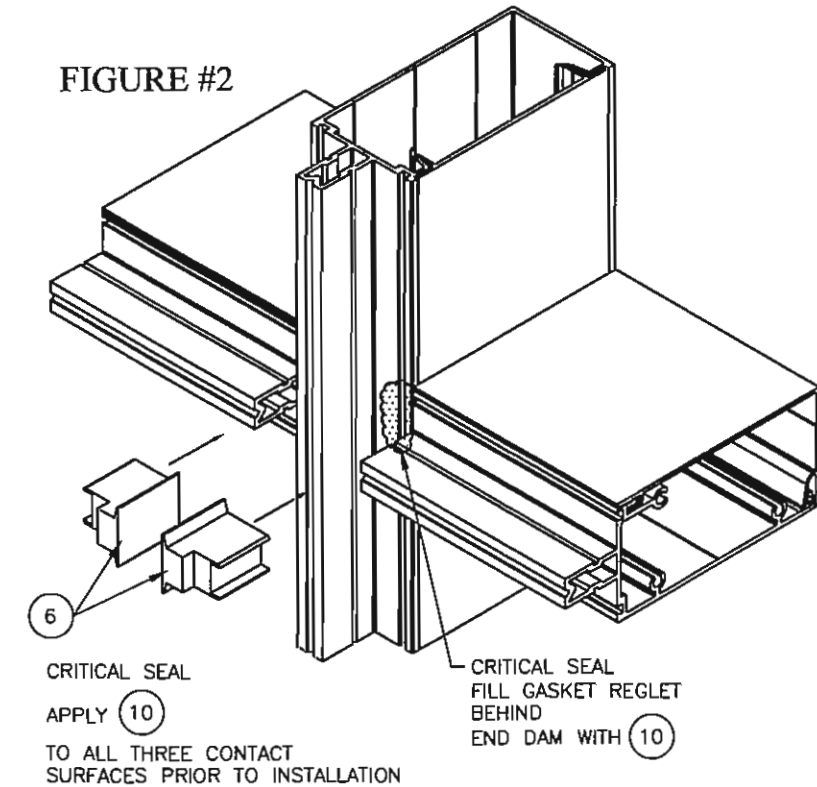
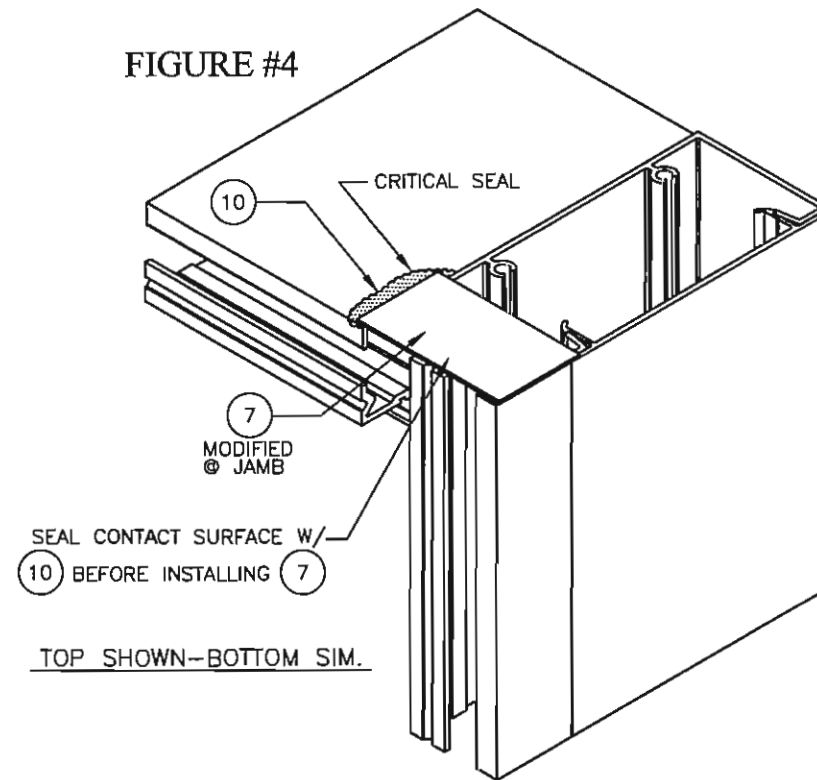
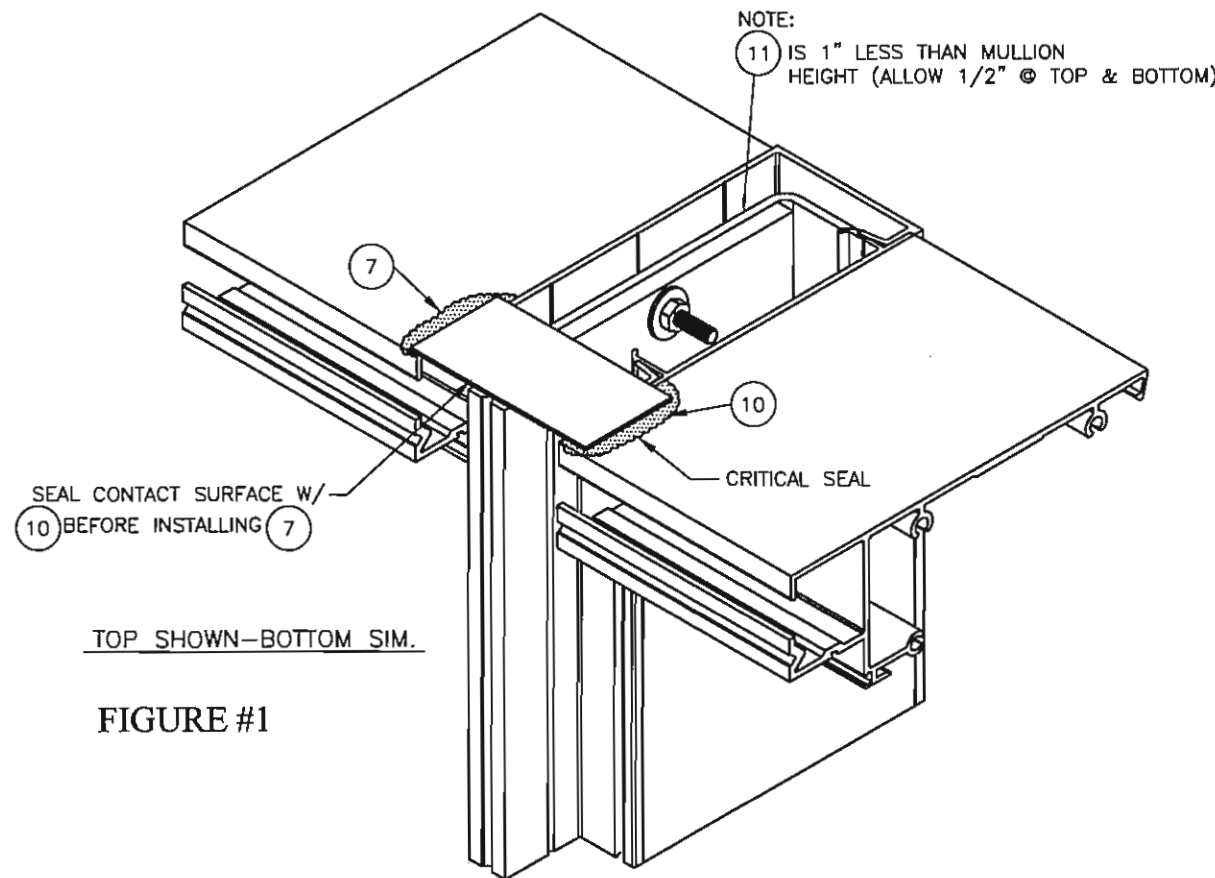
DRAWN: D.E.G.

DRAWING No:

DATE: 8/5/15

7 OF 13

OWG: SW700



10 TYPICAL INTERIOR
SEALANT

END DAM INSTALLATION-CAPTURED

NOTE: END DAMS ARE ALSO INSTALLED IN SAME MANNER @ HEAD/SILL

END DAM INSTALLATION-CAPTURED @ JAMB

NOTE: END DAMS ARE REQUIRED AT HOR./HEAD/SILL FOR ALL VERTICAL MULLIONS & JAMBS

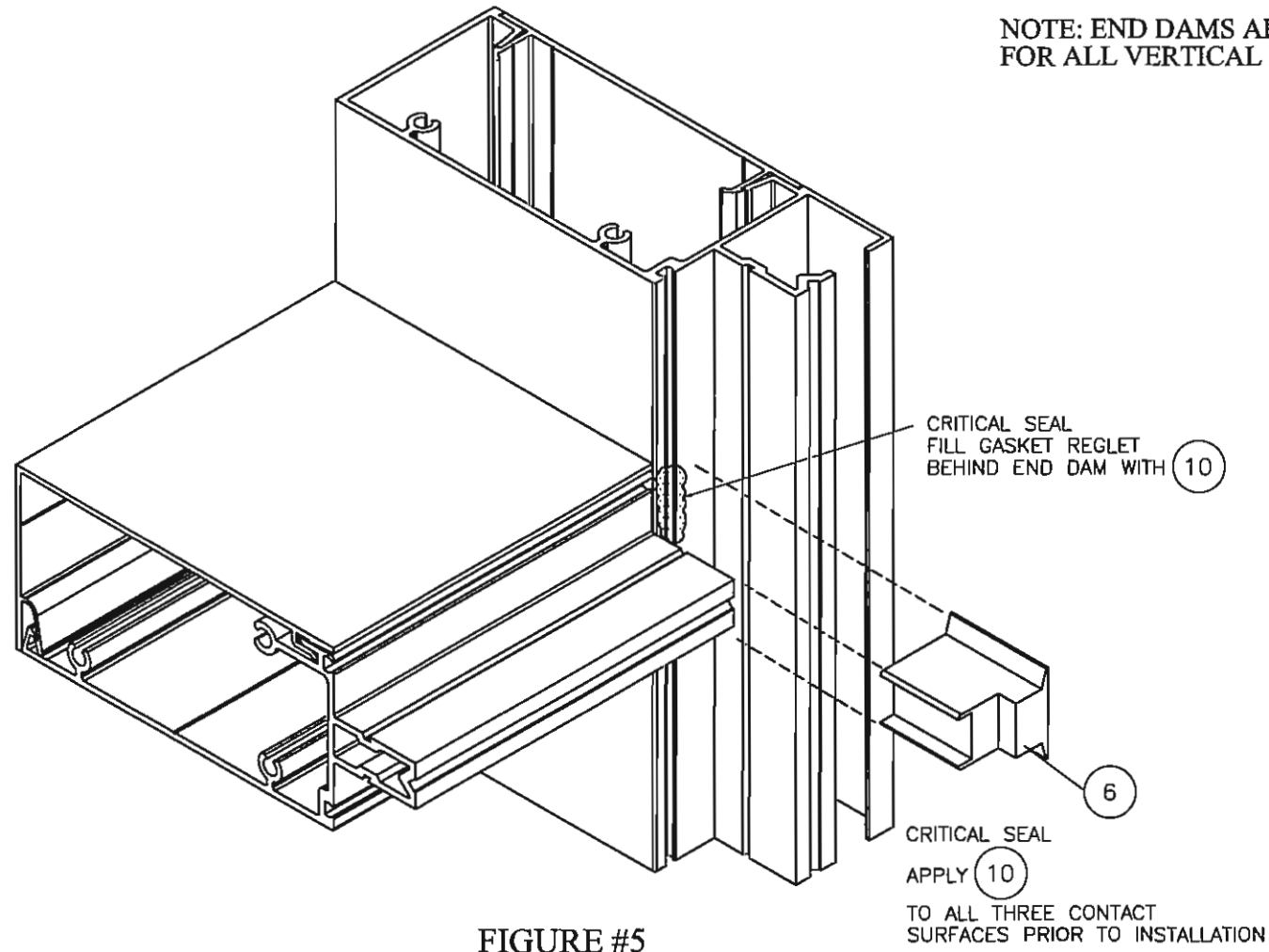


FIGURE #5

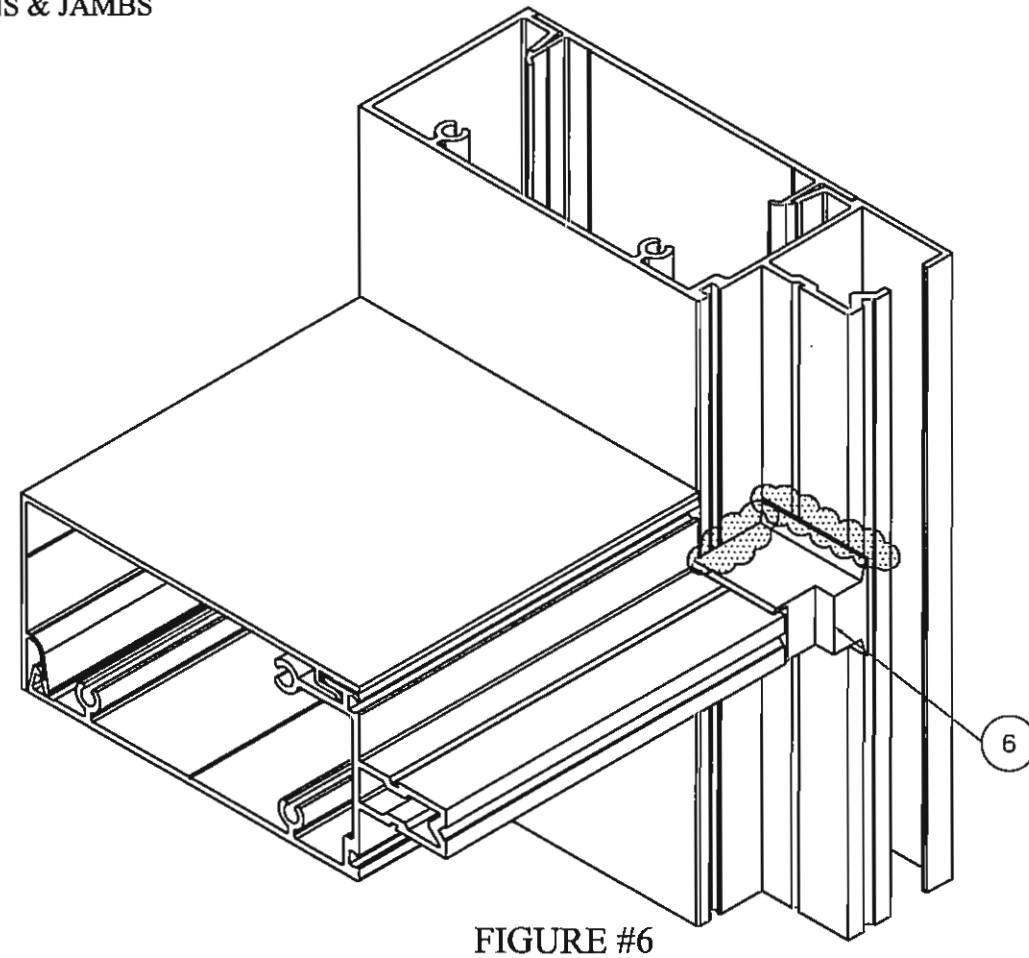
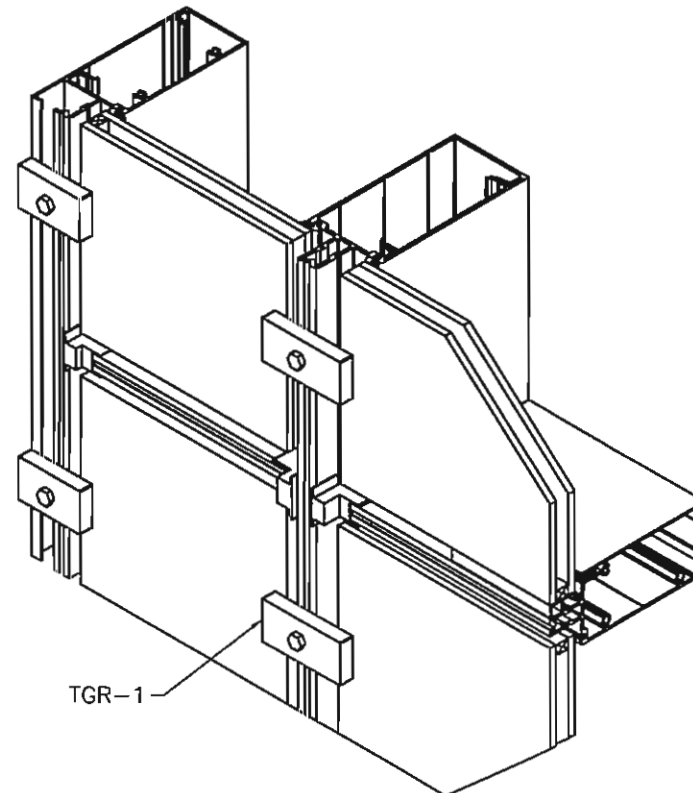


FIGURE #6

FIGURE #7
TEMP. GLAZING
RETAINER
MIN. 4 PER LITE



GLASS & ALUMINUM SOLUTIONS™

<http://www.trulite.com>

403 Westpark Court Suite 201
Peachtree City, GA 30269
p. 800-432-8132 | f. 954-724-2083

PRODUCT:

SERIES SW700

CAPTURED AND
BUTT GLAZED
CURTAIN WALL



| REVN | DATE/REMARKS |
|------|--------------|
| | |
| | |
| | |

ENGINEER:



CIVIL, MECHANICAL, STRUCTURAL & BUILDING DESIGN
1335 W. CASS STREET TAMPA, FL 33608
P.813-251-9244 | F.813-251-9330 | www.broadway-eng.com
BE-4440

ELIZABETH A. BROADWAY, P.E.
FL REG # 38558 | CA # 4599

STAMP:



PRODUCT CONTROL APPROVAL:

DRAWN: D.E.G.

DATE: 8/5/15

DWG: SW700

DRAWING No:

8 OF 13

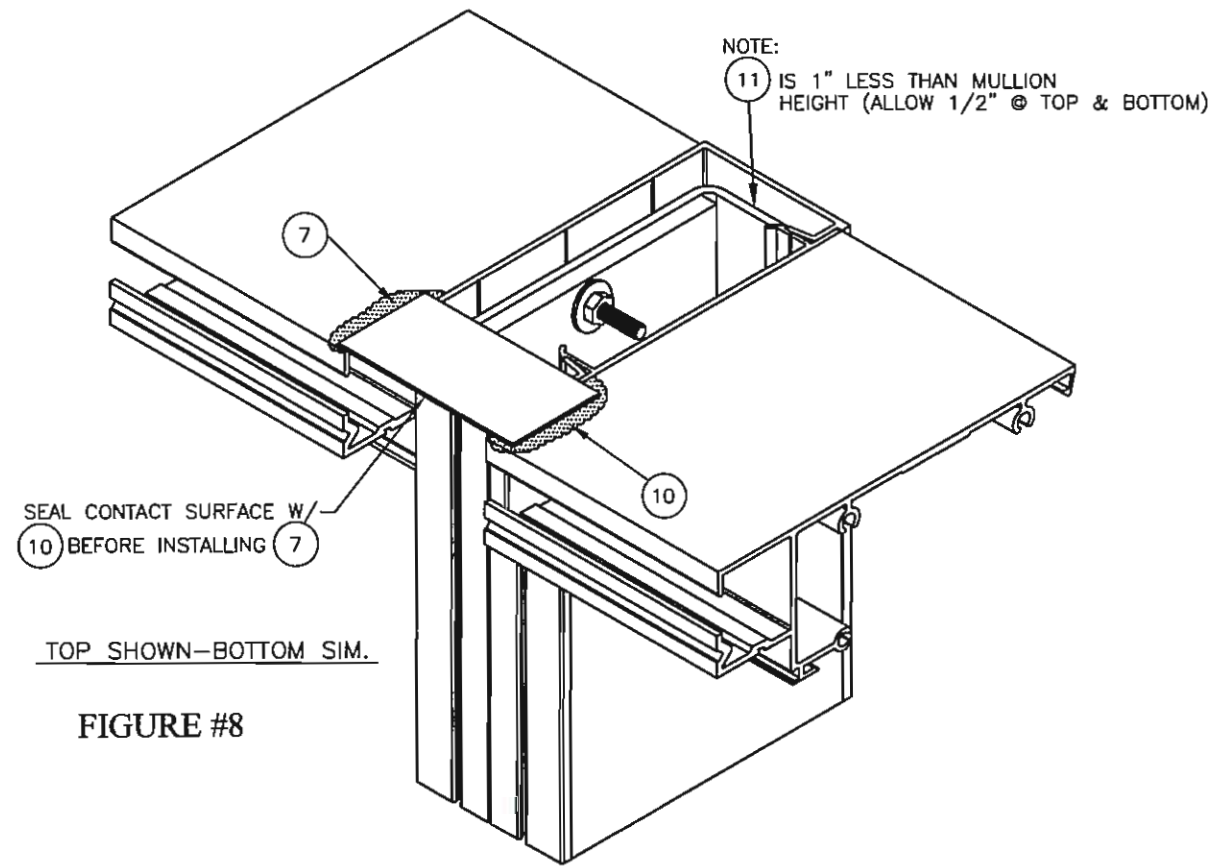


FIGURE #8

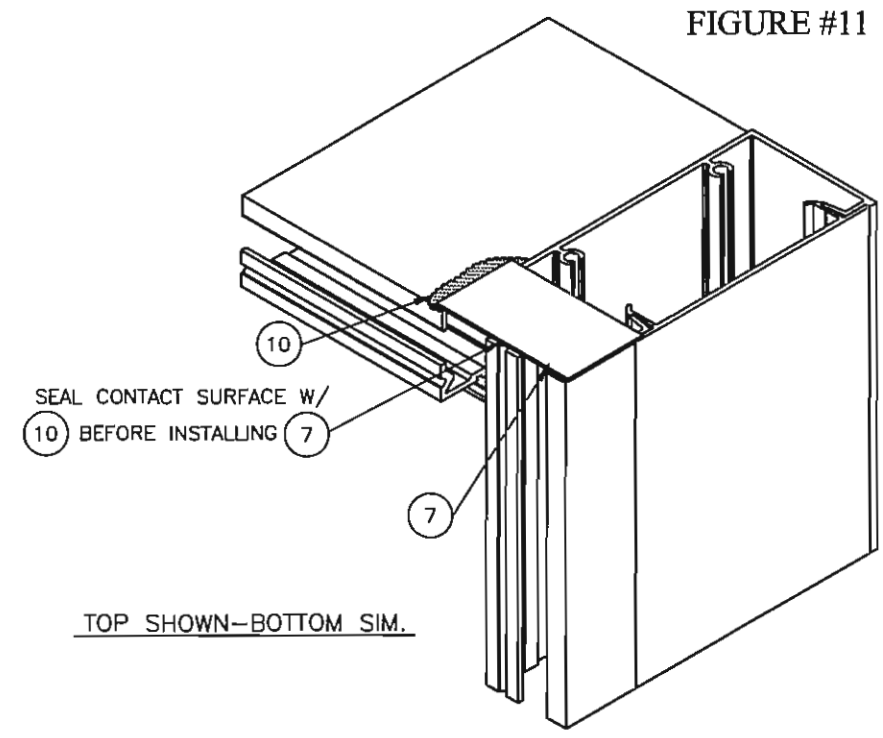


FIGURE #11

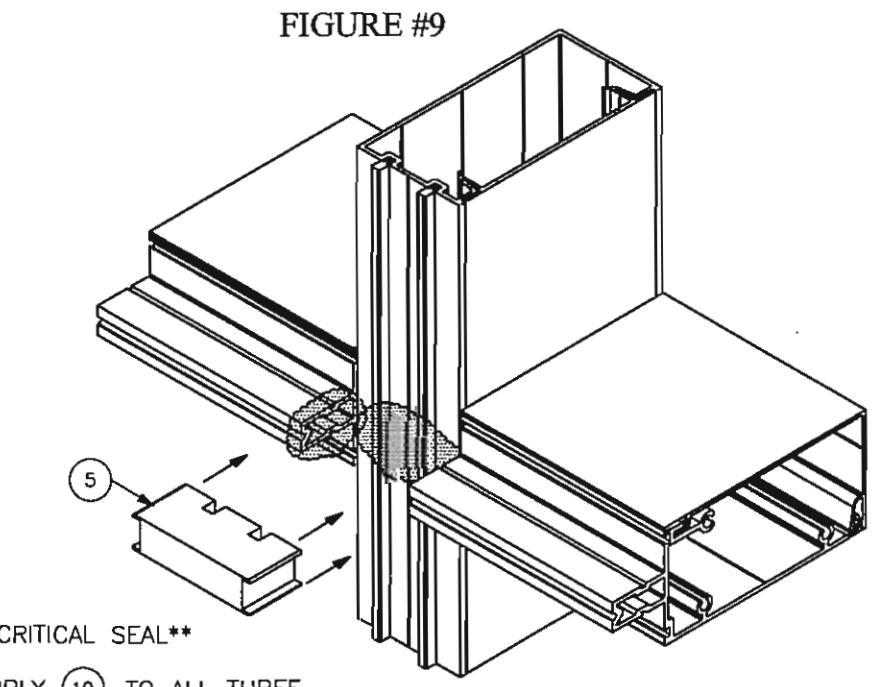


FIGURE #9

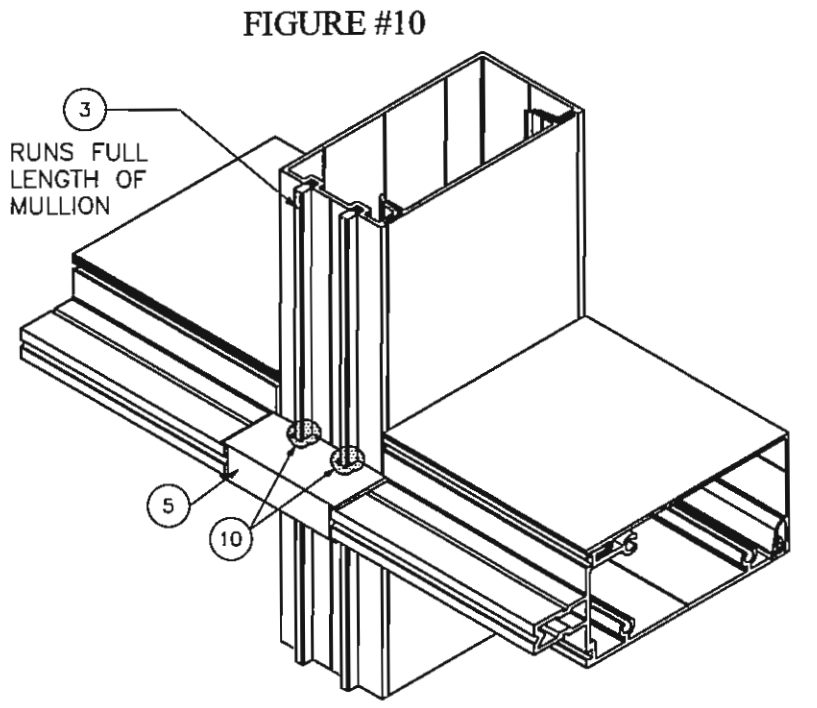


FIGURE #10

****CRITICAL SEAL****
 APPLY (10) TO ALL THREE
 CONTACT SURFACES PRIOR TO
 INSTALLATION AS SHOWN

(10) TYPICAL INTERIOR
 SEALANT & STRUCTURAL
 SEALANT @ GLASS

BRIDGE DAM INSTALLATION-BUTT GLAZED @ HOR.
 NOTE: BRIDGE DAMS ARE INSTALLED IN SAME MANNER AT HEAD/SILL

Trulite
 GLASS & ALUMINUM SOLUTIONS™
 http://www.trulite.com
 403 Westpark Court Suite 201
 Peachtree City, GA 30269
 p. 800-432-8132 | f. 954-724-2083

PRODUCT:
SERIES SW700
 CAPTURED AND
 BUTT GLAZED
 CURTAIN WALL
Resistor
 PRODUCT SERIES

| REVN | DATE/REMARKS |
|------|--------------|
| | |
| | |

ENGINEER:
B BROADWAY ENGINEERING
 CIVIL, MECHANICAL, STRUCTURAL & BUILDING DESIGN
 1335 W. CASS STREET TAMPA, FL 33608
 P.813-251-0244 | F.813-251-0330 | www.broadway-eng.com
 BE-4440
 ELIZABETH A. BROADWAY, P.E.
 FL REG # 38558 | CA # 4599

STAMP:

 ELIZABETH A. BROADWAY
 PROFESSIONAL ENGINEER
 FLORIDA REGISTRATION NO. 38558

PRODUCT CONTROL APPROVAL:

| | |
|---------------|----------------|
| DRAWN: D.E.G. | DRAWING No: |
| DATE: 8/5/15 | 9 OF 13 |
| DWG: SW700 | |

PRODUCT:

SERIES SW700

CAPTURED AND
BUTT GLAZED
CURTAIN WALL

Resistor
PRODUCT SERIES

| REVN | DATE/REMARKS |
|------|--------------|
| | |
| | |
| | |

ENGINEER:

B BROADWAY ENGINEERING

CIVIL, MECHANICAL, STRUCTURAL & BUILDING DESIGN
1335 W. CASS STREET TAMPA, FL 33606
P.813-251-8244 | F.813-251-8330 | www.broadway-eng.com

BE-4440

ELIZABETH A. BROADWAY, P.E.
FL REG # 38558 | CA # 4599

STAMP:

ELIZABETH A. BROADWAY
LICENSE
No. E-38558
ELIZABETH A. BROADWAY
PROFESSIONAL ENGINEER
FLORIDA REGISTRATION NO. 38558
8/23/15

PRODUCT CONTROL APPROVAL:

FIGURE #12
TEMP. GLAZING
RETAINER
MIN. 4 PER LITE

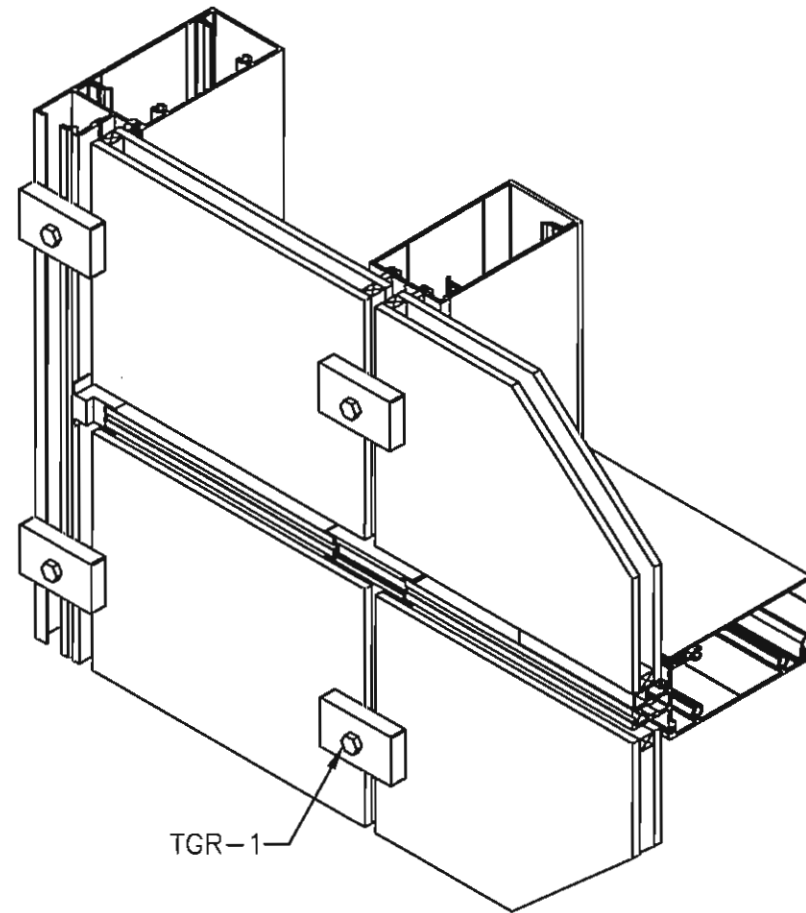


FIGURE #13

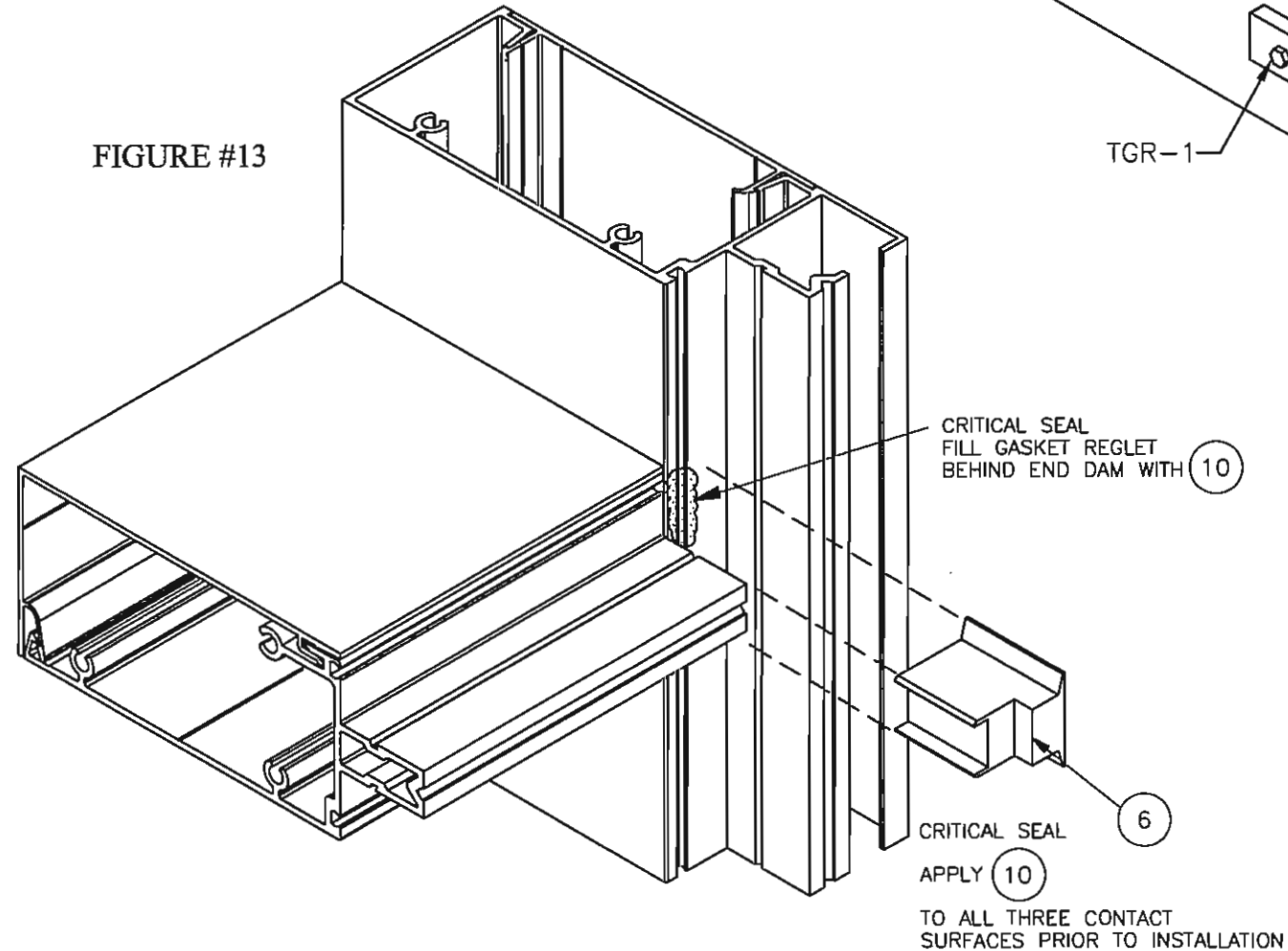
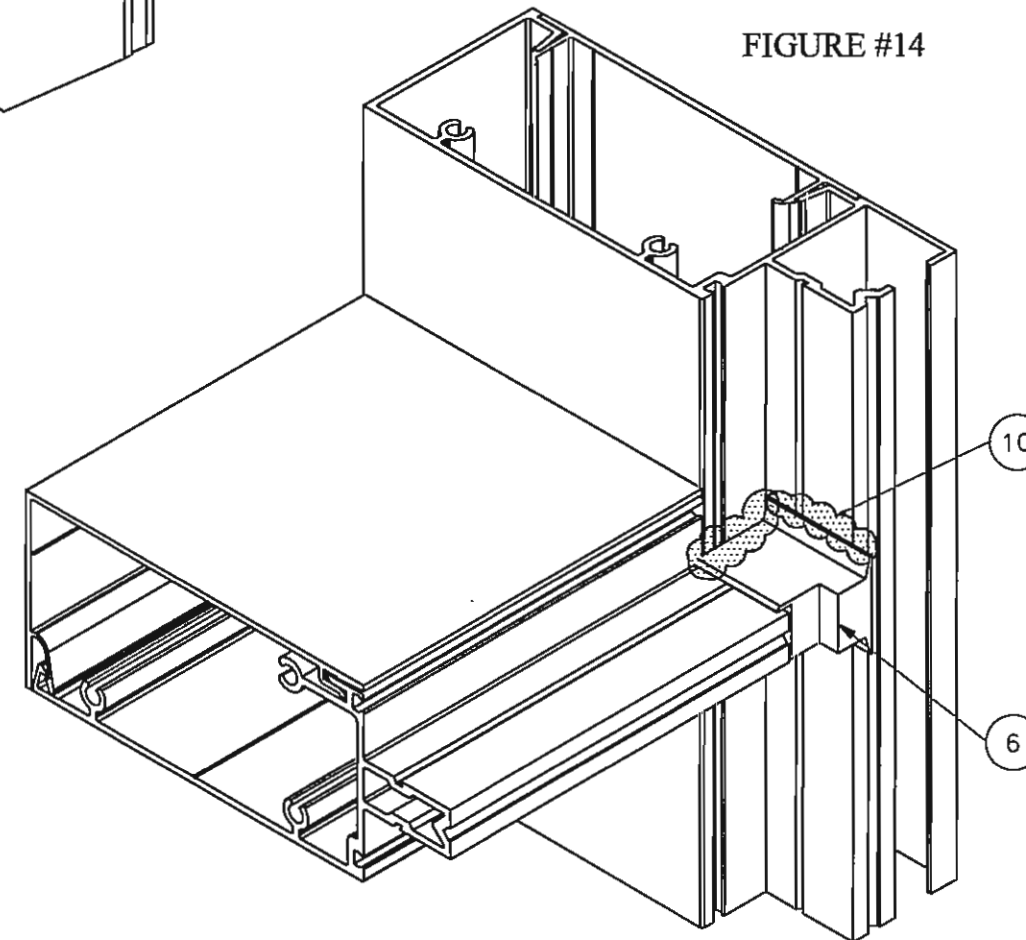


FIGURE #14



END DAM INSTALLATION-BUTT GLAZED

NOTE: END DAMS ARE REQUIRED AT HOR./ HEAD/SILL FOR ALL WALL JAMBS

DRAWN: D.E.G.

DRAWING No:

DATE: 8/5/15

10 OF 13

DWG: SW700

| GLASS SCHEDULE | | | | |
|-------------------|--|--------------|-------------|-------------|
| GLASS MARK SYMBOL | GLASS TYPE | MANUFACTURER | DLO SIZE | SQUARE FEET |
| A | 1/4" TEMPERED OUTER SURFACE, 1/2" AIR SPACE, 1/4" TEMPERED INNER SURFACE | VARIES | 57 1/2 X 96 | 38.3 |
| AI | 1/4" TEMPERED OUTER SURFACE, 1/2" AIR SPACE, 1/4" TEMPERED INNER SURFACE | VARIES | 45 1/2 X 96 | 30.3 |



http://www.trulite.com

403 Westpark Court Suite 201
Peachtree City, GA 30269
p. 800-432-8132 | f. 954-724-2083

PRODUCT:

SERIES SW700

CAPTURED AND BUTT GLAZED CURTAIN WALL



| REVN | DATE/REMARKS |
|------|--------------|
| | |
| | |
| | |

ENGINEER:

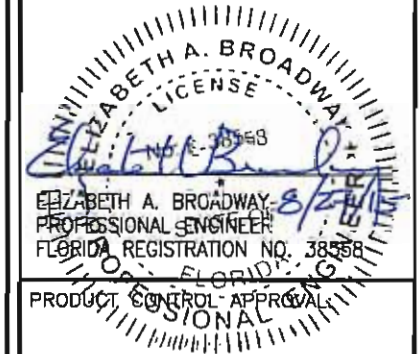


CIVIL, MECHANICAL, STRUCTURAL & BUILDING DESIGN
1335 W. GASS STREET TAMPA, FL 33608
P. 813-251-9244 | F. 813-251-9330 | www.broadway-eng.com

BE-4440

ELIZABETH A. BROADWAY, P.E.
FL REG # 38558 | CA # 4599

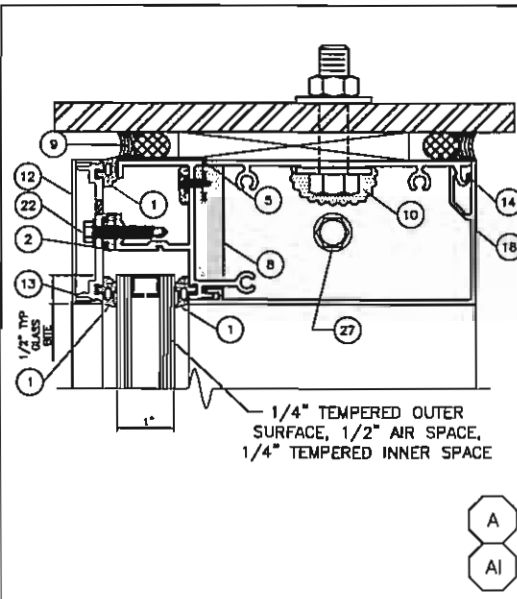
STAMP:



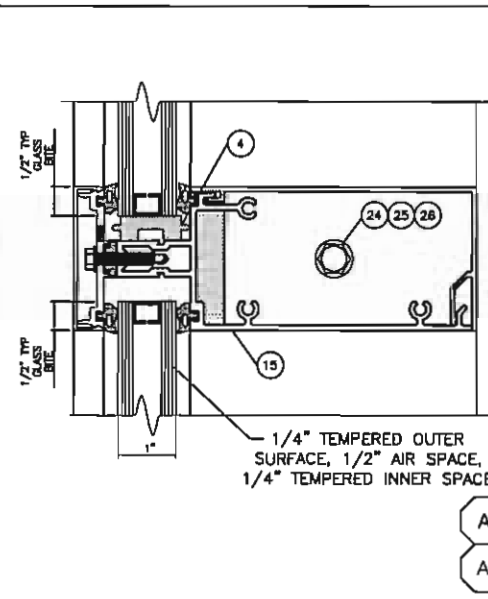
PRODUCT CONTROL - APPROVAL

CAPTURED

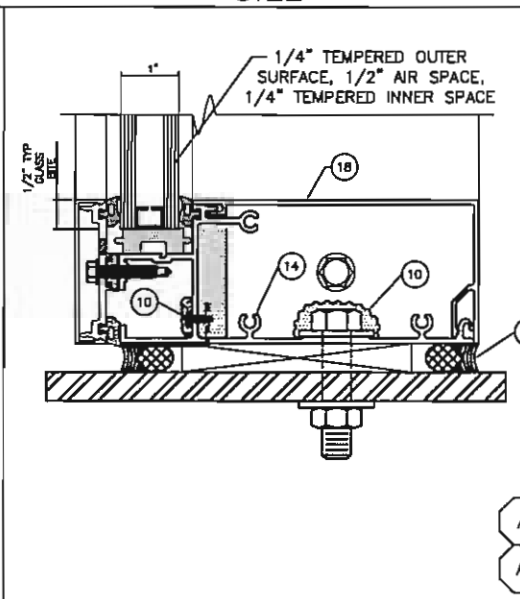
HEAD



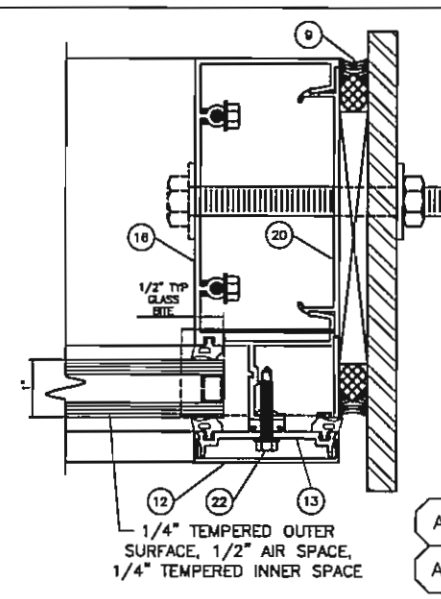
HORIZONTAL



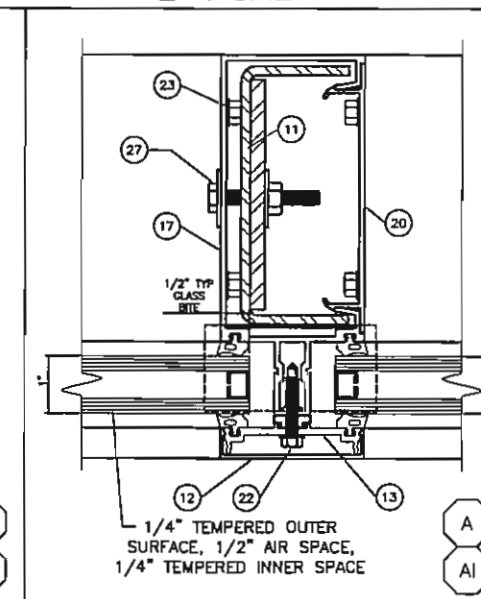
SILL



JAMB

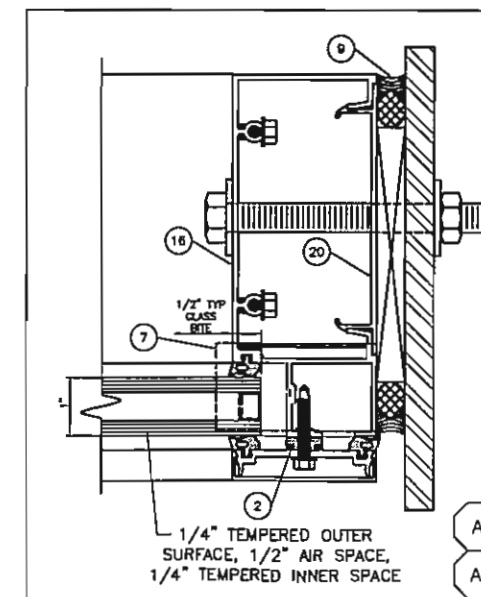


VERTICAL

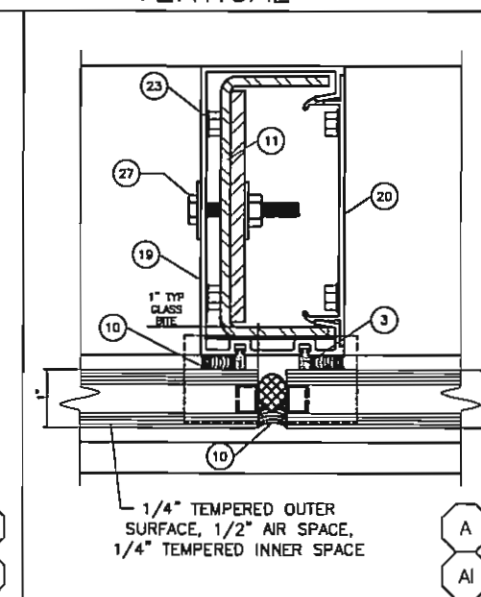


BUTT GLAZED

JAMB



VERTICAL



TYPICAL ANCHORS

| TYPE | DESCRIPTION | MIN. EMBED, | EDGE DISTANCE | SPACING |
|------|----------------------------|-------------|---------------|---------|
| A | 3/8"Ø X 3" WEDGE BOLT | 2-1/2" | 3-1/2" | 3" |
| B | 1/4-14 SELF-DRILLING SCREW | - | 3/4" | 1-1/2" |
| C | 1/2-13 GRADE 2 BOLT | - | 1-1/2" | 1-1/2" |

DRAWN: D.E.G.

DRAWING No:

DATE: 8/5/15

11 OF 13

DWG: SW700



GLASS & ALUMINUM SOLUTIONS™

http://www.trulite.com

403 Westpark Court Suite 201
Peachtree City, GA 30269
p. 800-432-8132 | f. 954-724-2083

PRODUCT:

SERIES SW700

CAPTURED AND
BUTT GLAZED
CURTAIN WALL



| REVN | DATE/REMARKS |
|------|--------------|
| | |
| | |
| | |

ENGINEER:



CIVIL, MECHANICAL, STRUCTURAL & BUILDING DESIGN
1335 W. CASS STREET TAMPA, FL 33608
P.813-251-9244 | F.813-251-9330 | www.broadway-eng.com

BE-4440

ELIZABETH A. BROADWAY, P.E.
FL REG # 38558 | CA # 4599

STAMP:



PRODUCT CONTROL APPROVAL

BILL OF MATERIAL

| ITEM | P/N | DESCRIPTION | UOM (INCHES) | MATERIAL | MANUFACTURER | NOTES |
|------|----------|---|--|------------------------------|------------------|--------------------------|
| 1 | RG-6 | GLAZING GASKET | 0.280 SPACE | EPDM, DURO 60 +/- 5, SHORE-A | VARIES | |
| 2 | RG-7 | PRESSURE BAR ISOLATOR | 0.225 X 0.625 | EPDM, DURO 85 +/- 5, SHORE-A | VARIES | |
| 3 | RG-8 | SPACER GASKET | 0.375 X 0.194 | EPDM, DURO 75 +/- 5, SHORE-A | VARIES | |
| 4 | RSB-9 | SETTING BLOCK | 1.060 X 0.438 | EPDM, DURO 85 +/- 5, SHORE-A | VARIES | 4" LONG |
| 5 | BD-100 | BRIDGE DAM-1" GL. | 2.875 x 1.281 x 0.745 | ABS PLASTIC | TRULITE | |
| 6 | ED-100 | END DAM-1" GL. | 1.500 x 1.125 x 1.250 | ABS PLASTIC | TRULITE | |
| 7 | MC-700 | TOP & BTM MULL CAP | 3.000 x 0.750 x 1.500 x 0.050 | ABS PLASTIC | TRULITE | |
| 8 | GT-1 | JOINT SEALANT TAPE | 0.500 x 0.125 x VARIES | BUTYL | SCHNEE-MOOREHEAD | HOR./VERTICAL JOINT SEAL |
| 9 | 795 | SILICONE-PERIMETER SEALANT | FILL SPACE | SILICONE | DOW CORNING | AT PERIMETER |
| 10 | 995 | INTERIOR SEALANT & STRUCTURAL SEALANT @ GLASS | FILL SPACE | SILICONE | DOW CORNING | |
| 11 | ST700-3 | STEEL REINFORCEMENT | 4.500 x 1.875 x 10GA. W/1/4" X 4" STL. BAR | A36 STEEL | VARIES | |
| 12 | SW100-1 | STD SNAP COVER | 2.500 x 0.531 x 0.062 | 6063-T6 AL | TRULITE | |
| 13 | SW200-2 | PRESSURE BAR | 2.385 x 0.453 x 0.125 | 6063-T6 AL | TRULITE | |
| 14 | SW700-1 | HEAD/SILL | 6.168 x 2.405 x 0.094 | 6063-T6 AL | TRULITE | |
| 15 | SW700-2 | INTERM HOR.-1" GL. | 6.168 x 2.405 x 0.094 | 6063-T6 AL | TRULITE | |
| 16 | SW700-3 | WALL JB.-1" GL. | 6.281 x 2.500 x 0.094 | 6063-T6 AL | TRULITE | |
| 17 | SW700-4 | VERTICAL MULLION | 6.281 x 2.500 x 0.094 | 6063-T6 AL | TRULITE | |
| 18 | SW700-5 | INTERIOR SNAP-ON TRIM | 4.982 x 2.500 x 0.078 | 6063-T6 AL | TRULITE | |
| 19 | SW700-6 | VERT. MULL-B.G. | 5.000 x 2.500 x 0.094 | 6063-T6 AL | TRULITE | |
| 20 | SW700-18 | FLAT FILLER | 4.680 x 0.721 x 0.094 | 6063-T6 AL | TRULITE | |
| 21 | FAS8-7 | FASTENER | #8-18 x 1/2" PHP #2 SD | ZP STEEL | VARIES | |
| 22 | FAS12-4 | FASTENER | #12-14 x 1 1/4 HWH #3SD | ZP STEEL | VARIES | |
| 23 | FAS14-2 | FASTENER | 1/4-14 X 1 HWH TFS | ZP STEEL | VARIES | SPLINE SCREW JOINTS |
| 24 | FASTENER | FASTENER | 1/4-20 x 3 1/2" HH BOLT WWASHER & NUT | ZP STEEL | VARIES | |
| 25 | FASTENER | FLAT WASHER | 1" OD x 9/32" ID | ZP STEEL | VARIES | |
| 26 | FASTENER | NUT | 1/4" x 7/16" x 7/32" HH NUT | ZP STEEL | VARIES | |
| 27 | FASTENER | STL REINFORCEMENT ATTACHMENT BOLT | 1/4-20 x 1 1/4" HH BOLT WWASHER & NUT | ZP STEEL | VARIES | LOCATE @ HEAD, SILL |

DRAWN: D.E.G.

DATE: 8/5/15

DWG: SW700

DRAWING No:

12 OF 13

PRODUCT:
SERIES SW700
CAPTURED AND BUTT GLAZED CURTAIN WALL



| REVN | DATE/REMARKS |
|------|--------------|
| | |
| | |

ENGINEER:
B BROADWAY ENGINEERING
CIVIL, MECHANICAL, STRUCTURAL & BUILDING DESIGN
1335 W. CASS STREET TAMPA, FL 33608
P.813-251-9244 | F.813-251-9330 | www.broadway-eng.com
BE-4440
ELIZABETH A. BROADWAY, P.E.
FL REG # 38558 | CA # 4599

STAMP:

ELIZABETH A. BROADWAY
PROFESSIONAL ENGINEER
FLORIDA REGISTRATION NO. 38558

PRODUCT / CONTROL APPROVAL

