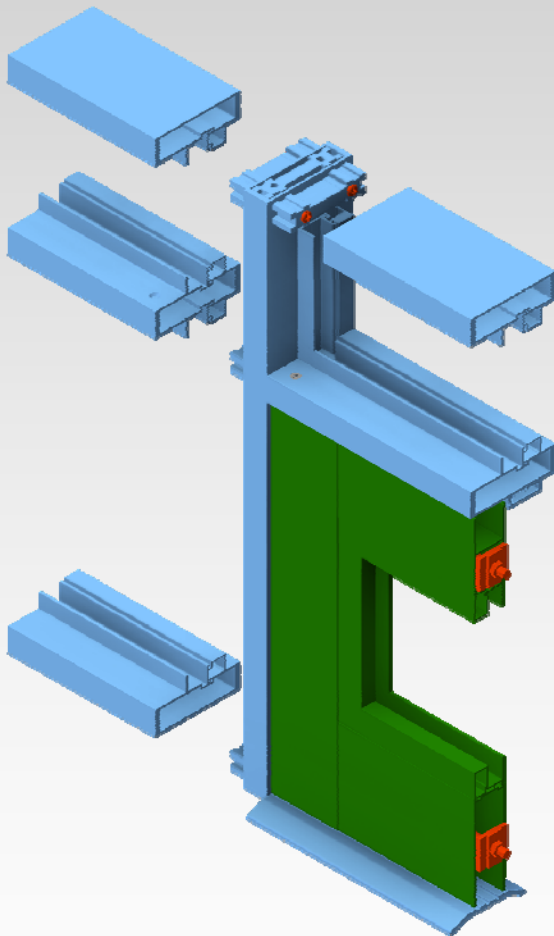


E3

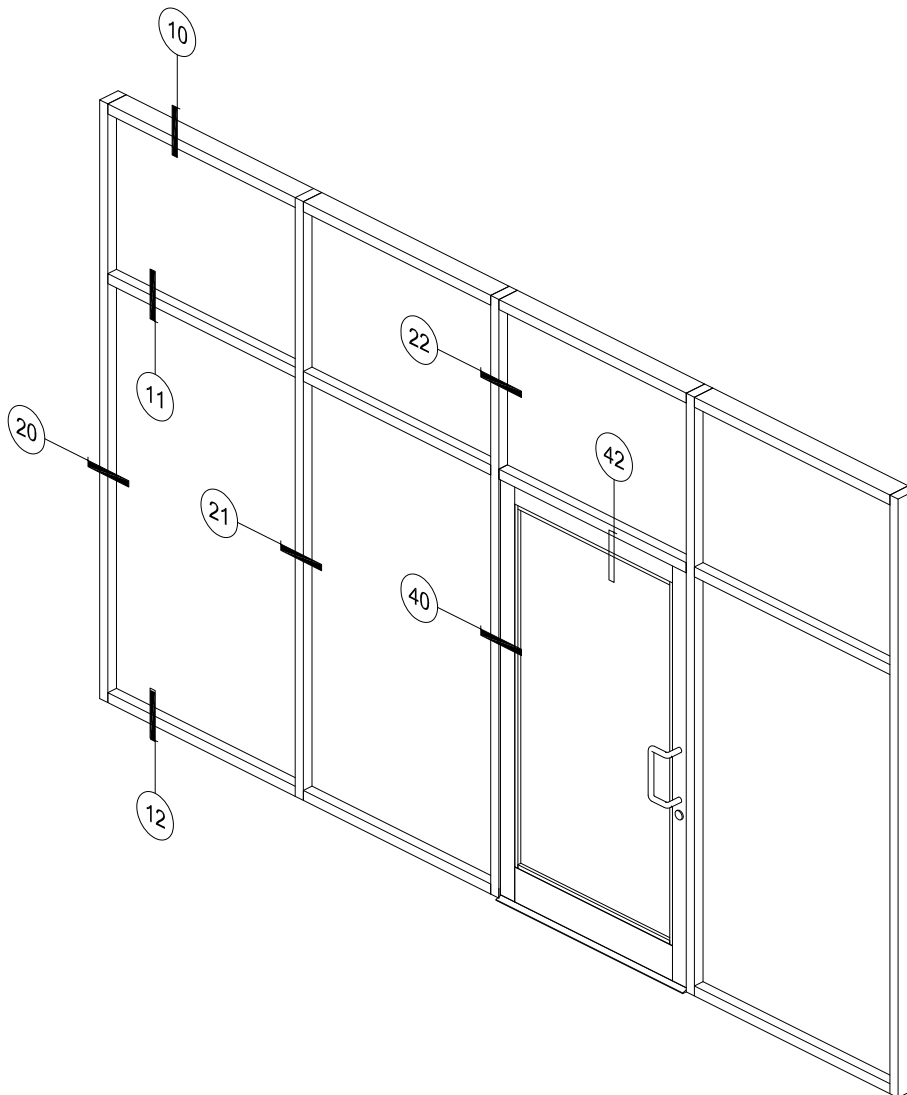
3000

IMPACT WALL SERIES

RESISTOR BLAST & STORM PROTECTION



DETAILBOOK



SERIES 3000 STOREFRONT WALL

SERIES 3000 SYSTEM HIGHLIGHT

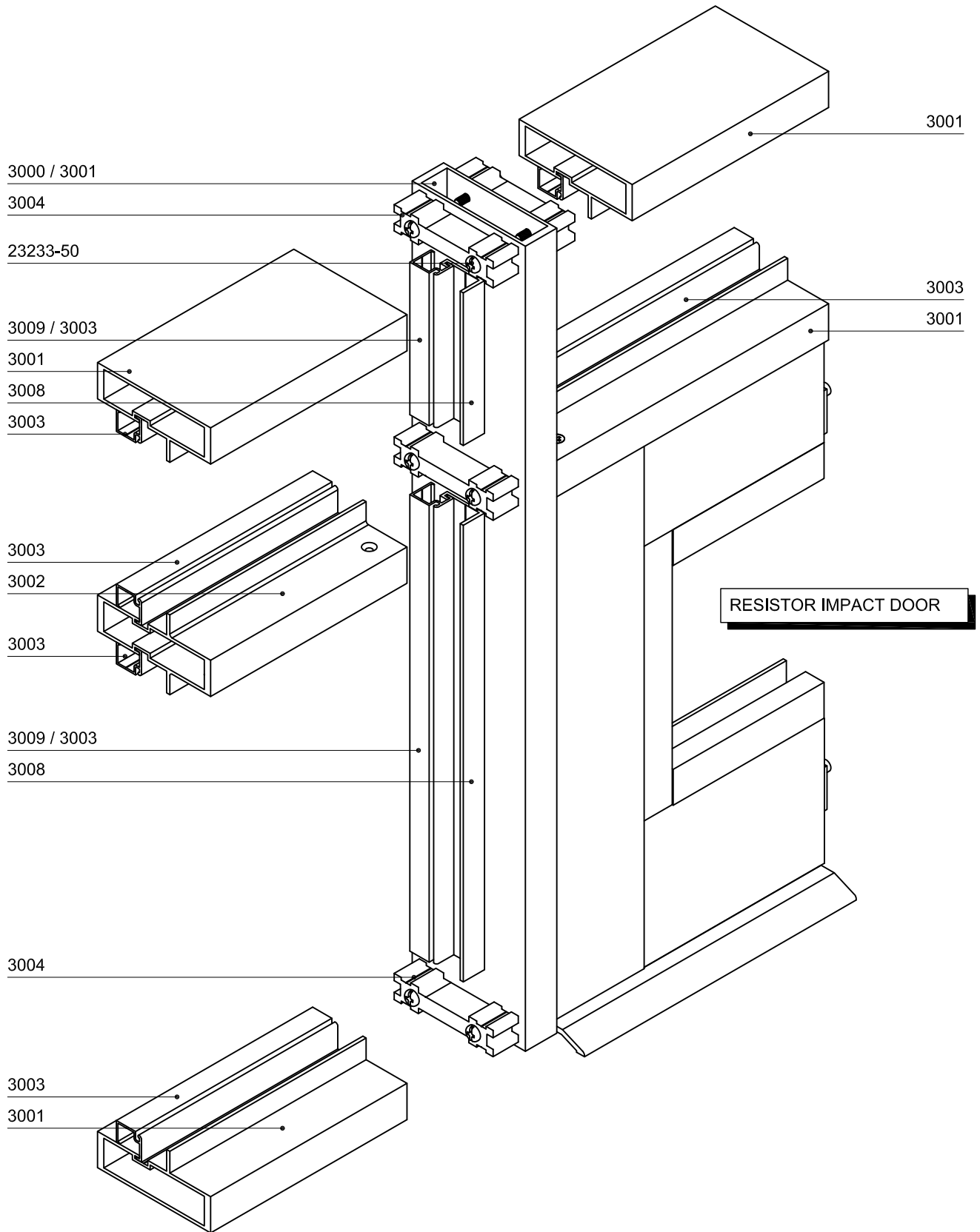
- 1 1/4" x 4 1/2" CENTER GLAZED SYSTEM
- ANCHOR CLIP ASSEMBLY
- INTERIOR OR EXTERIOR GLASS SET
- INTEGRATED DOOR FRAME
- OPTIONAL STEEL REINFORCEMENT
- MIAMI-DADE NOA & FBC APPROVED

TYPICAL GLASS BITE = 1/2"
GLASS SIZE FORMULA = DLO + 1"

TAG DESCRIPTION

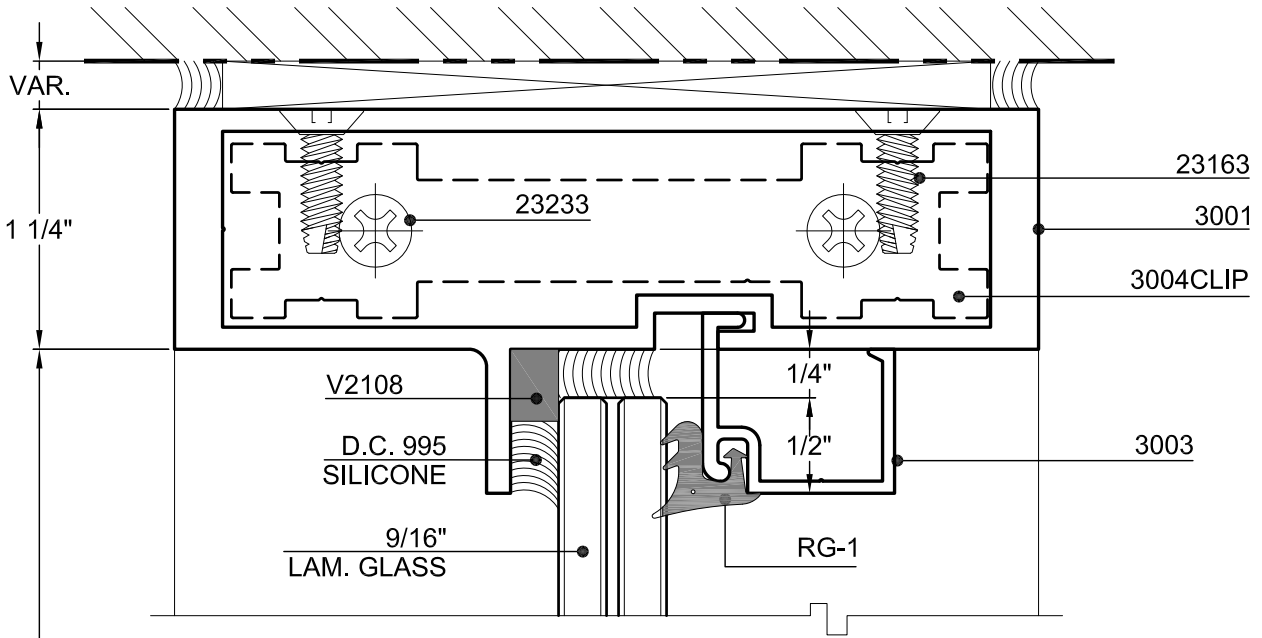
10	STANDARD HEADER DETAIL
11	STANDARD INTERMEDIATE HORIZONTAL
12	STANDARD SILL DETAIL
20	STANDARD JAMB DETAIL
21	INTERMEDIATE MULLION
22	TRANSOM MULLION
23	DOOR JAMB



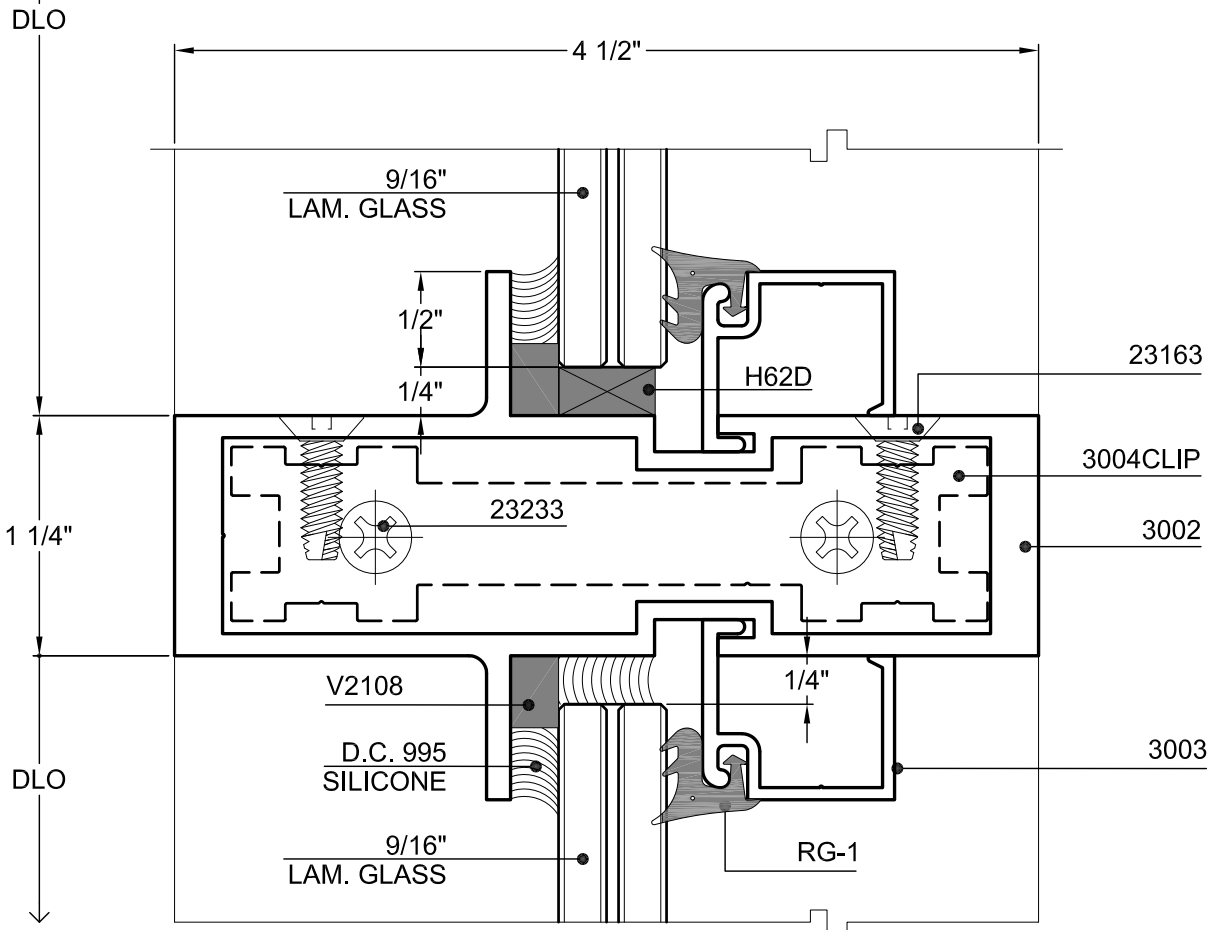


SERIES 3000 STOREFRONT SYSTEM



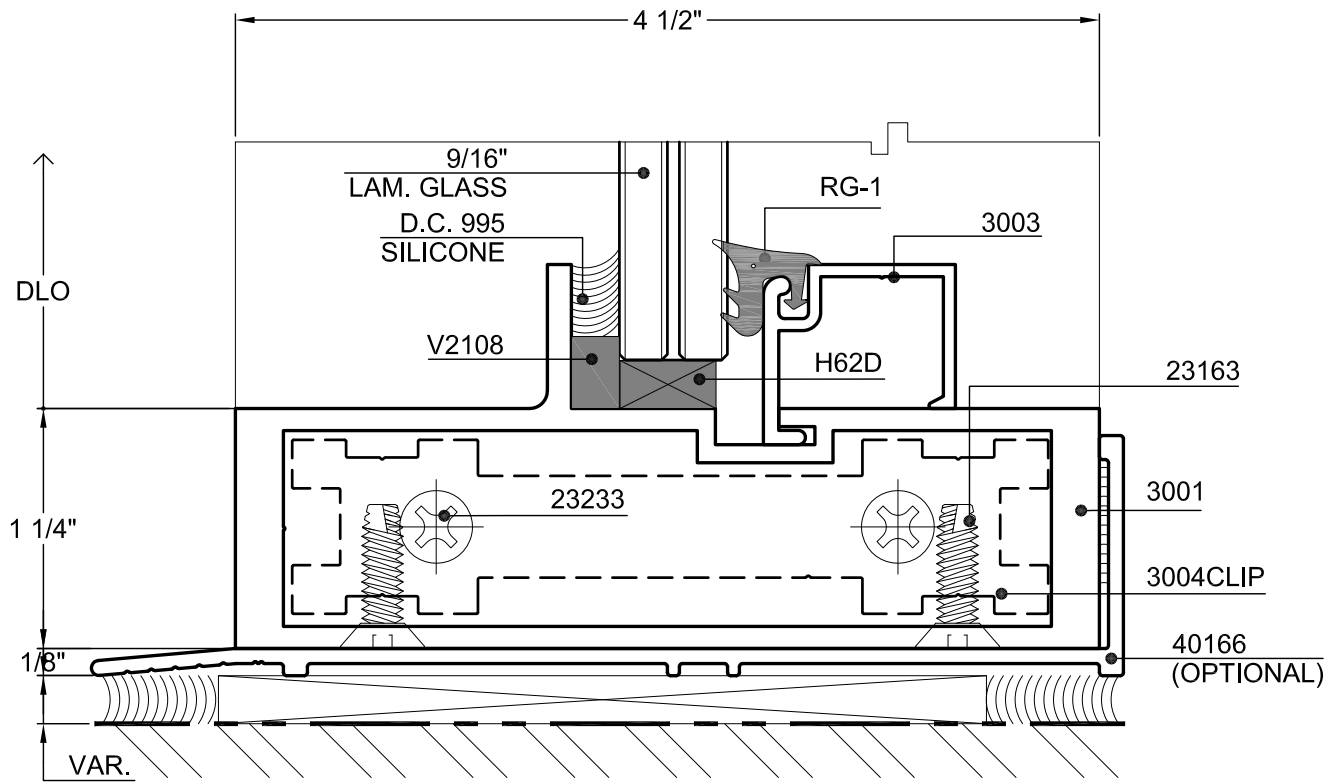


10 TYPICAL HEAD



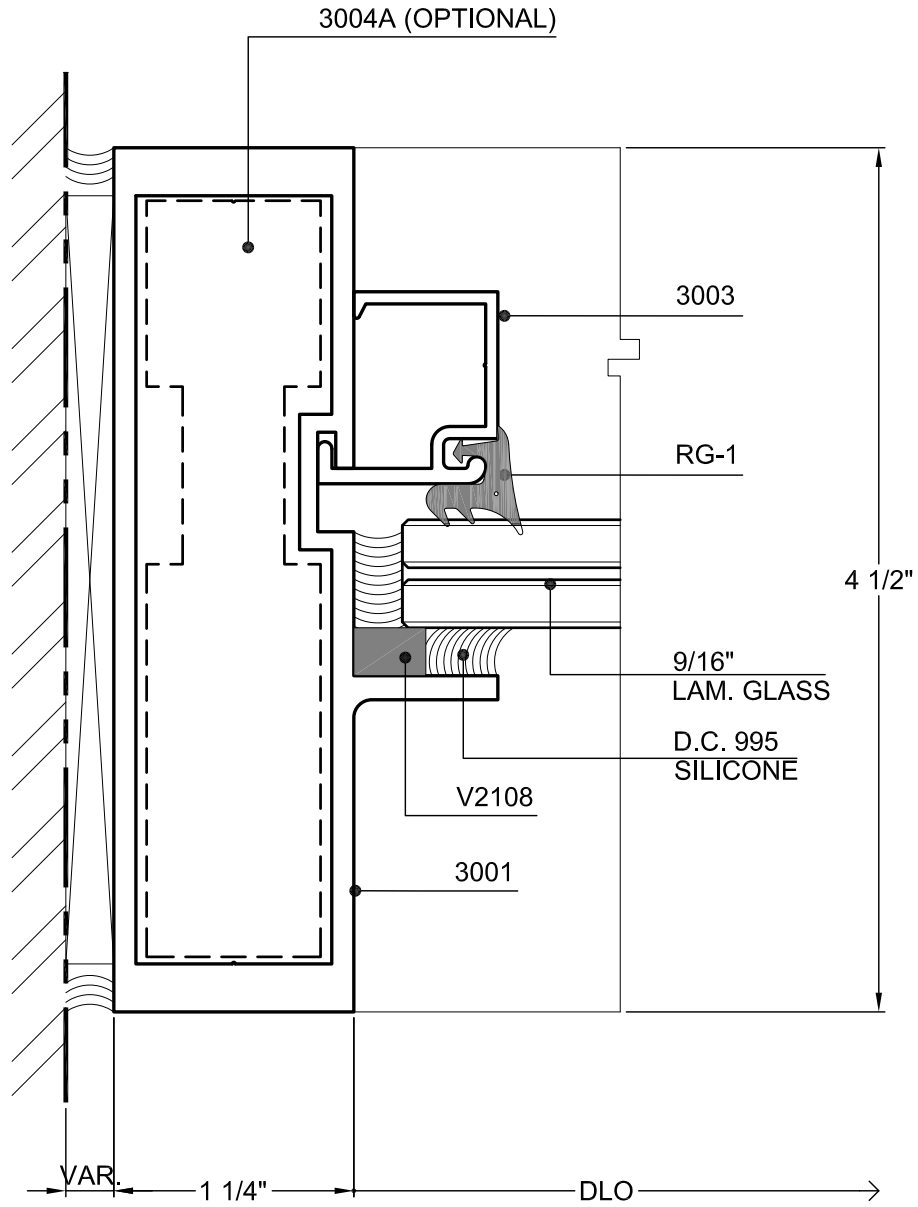
11 INTERMEDIATE HORIZONTAL





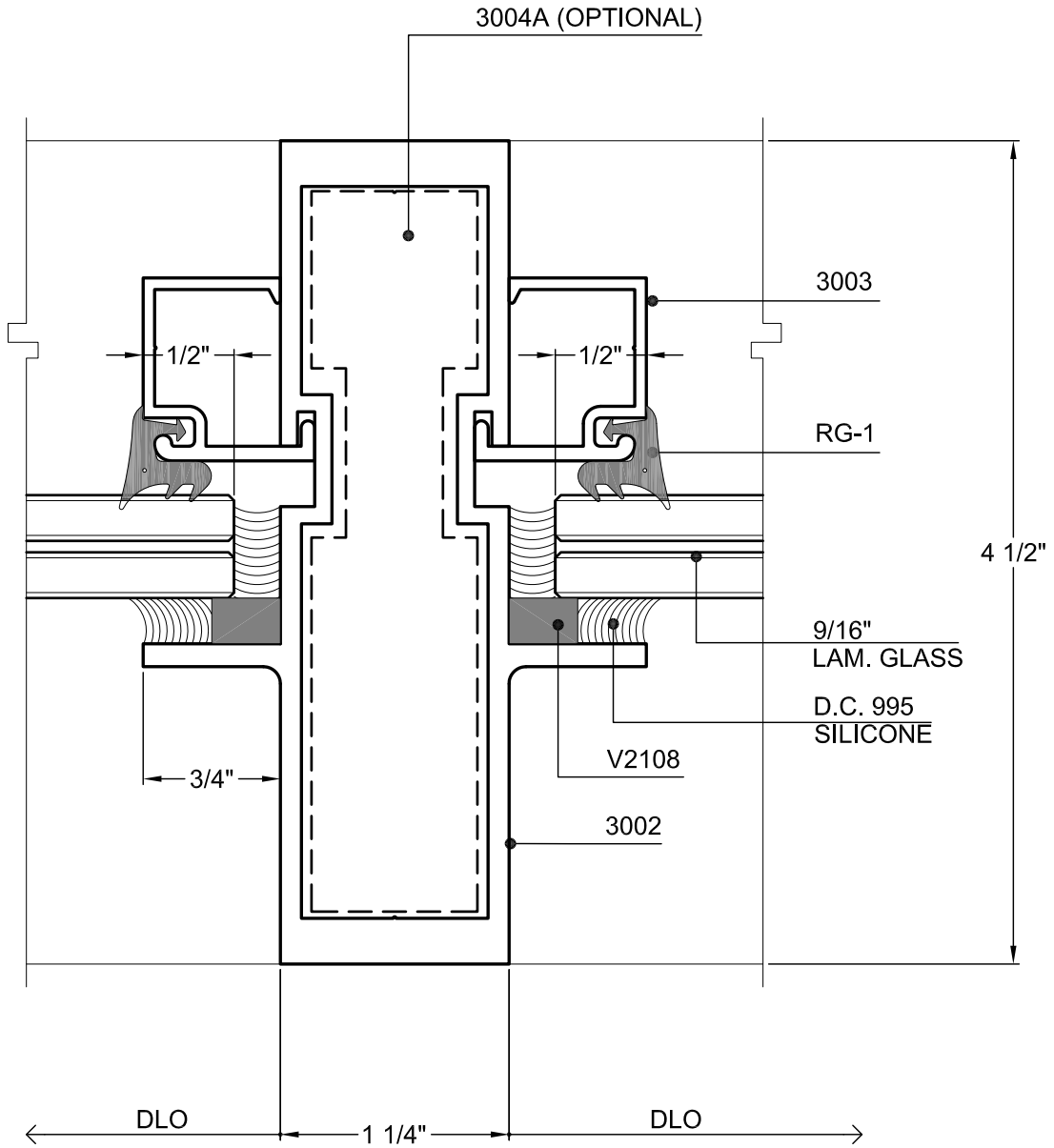
12 TYPICAL SILL





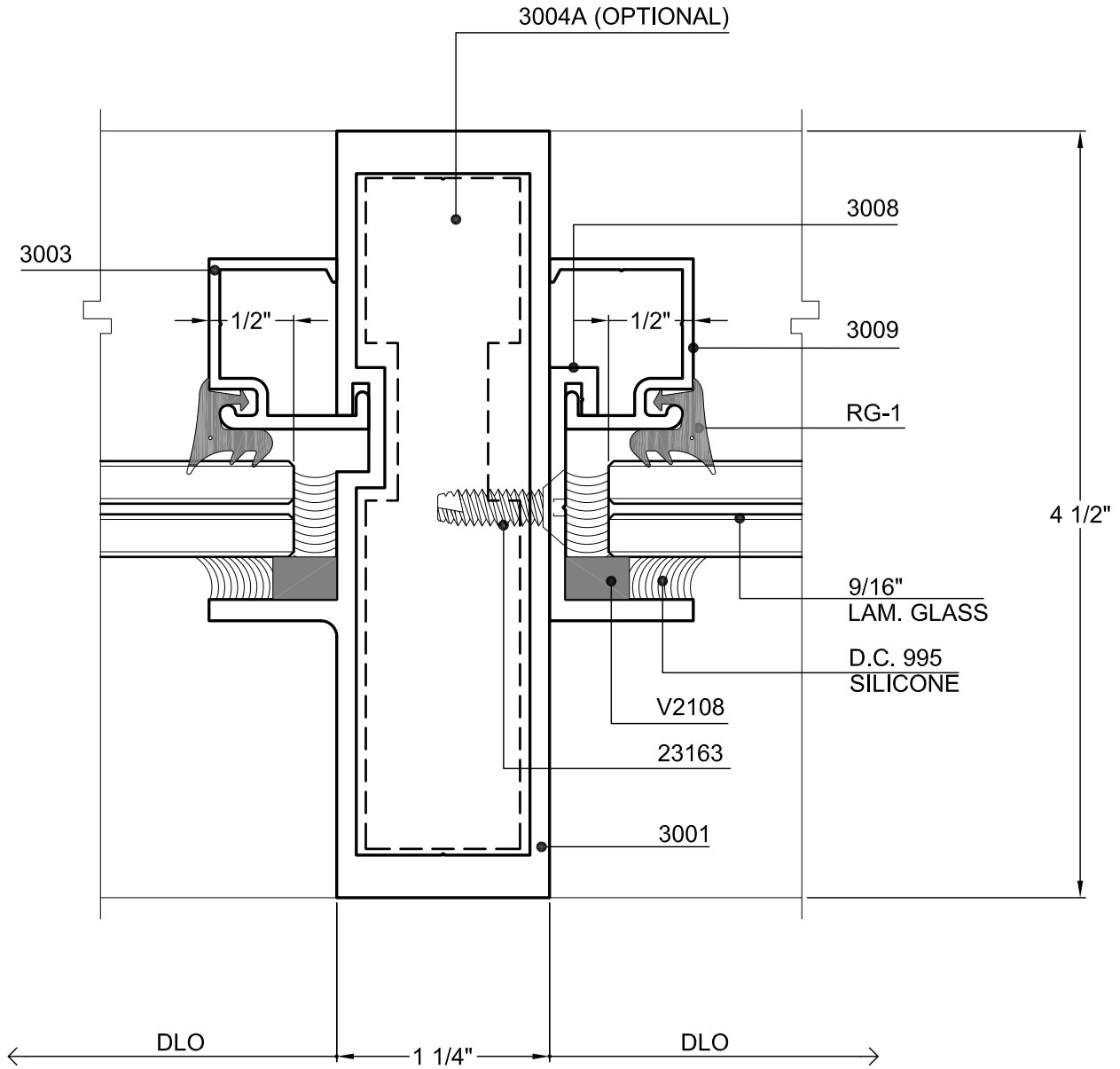
20 TYPICAL JAMB





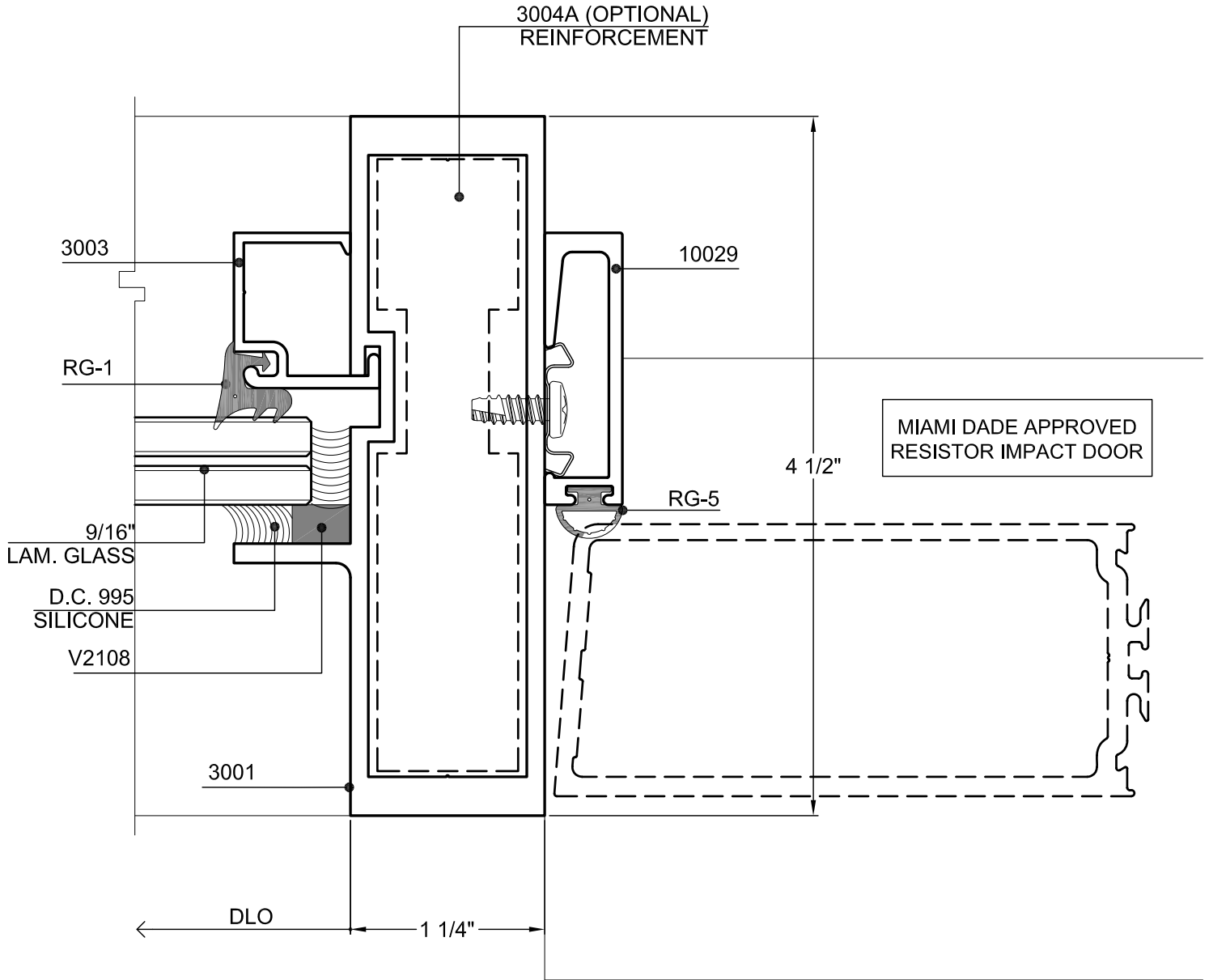
21 INTERMEDIATE VERTICAL MULLION





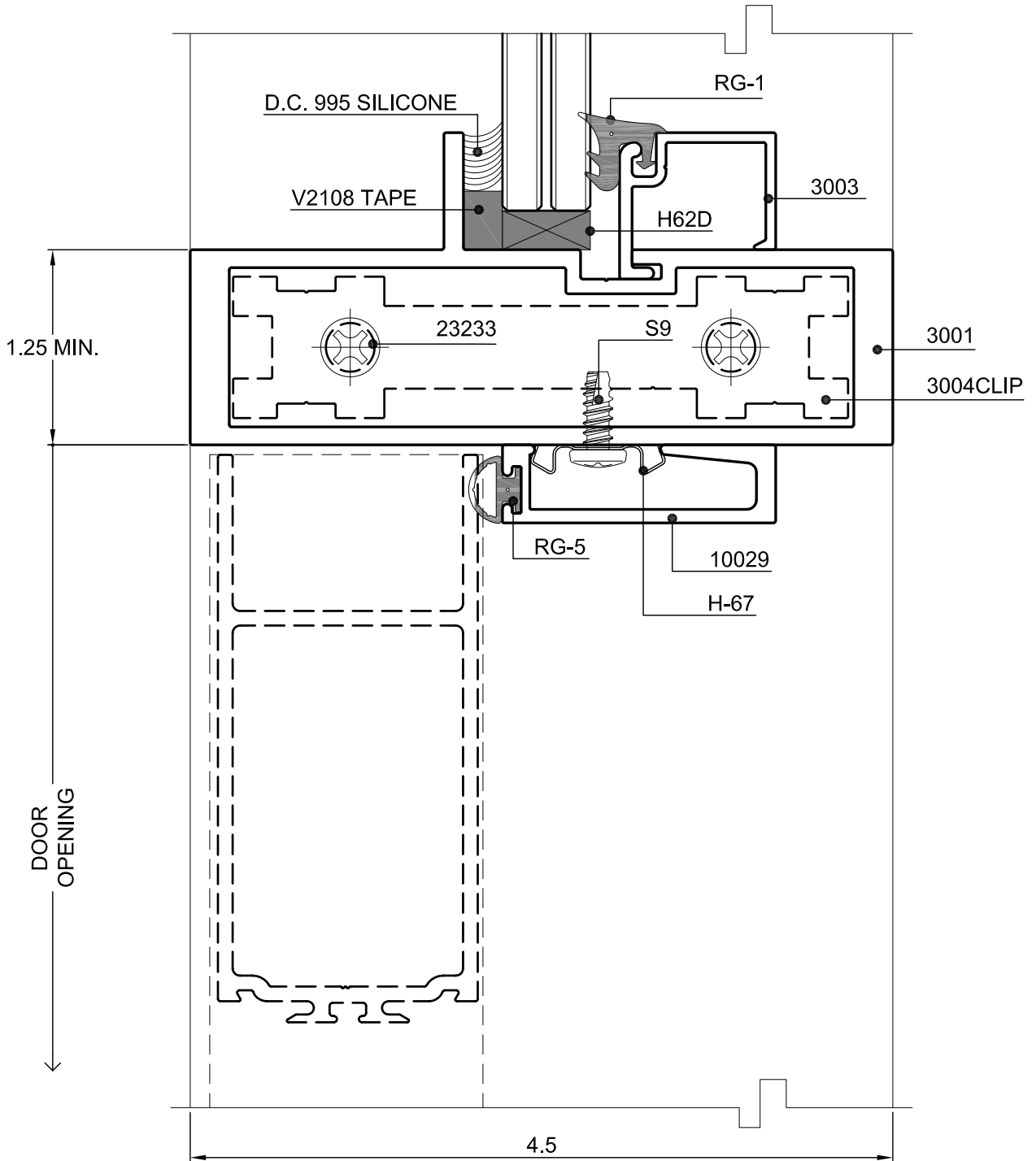
22 TRANSOM MULLION





40 DOOR JAMB


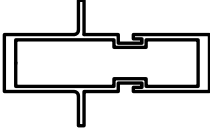

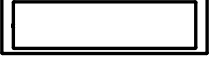













41 DOOR HEAD DETAIL



SERIES 3000 PARTS TABLE

			
3001 HEAD/SILL/JAMB	3002 INTERMEDIATE VERTICAL/HORIZONTAL	3004A OPTIONAL REINFORCING	3000 DOOR JAMB
			
40166 OPTIONAL SUB SILL (HIGH BACK)	3003 GLASS STOP	3008 TRANSOM GLASS STOP GUTTER	3103 OPTIONAL GLASS STOP
			
3009 TRANSOM GLASS STOP	3007 OPTIONAL GLASS STOP FOR 1/4" GLASS	10029 APPLIED DOOR STOP	
			
RG-1 EXTERIOR GLAZING GASKET	RG 5 DOOR STOP BULB GASKET		

