



Product Approval
USER: Public User

License efficiently. Regulate fairly.

[Product Approval Menu](#) > [Product or Application Search](#) > [Application List](#) > **Application Detail**

OFFICE OF THE SECRETARY

FL #	FL17879												
Application Type	New												
Code Version	2014												
Application Status	Approved												
Comments													
Archived	<input type="checkbox"/>												
Product Manufacturer	TRULITE GLASS & ALUMINUM SOLUTIONS												
Address/Phone/Email	10200 NW 67th St Tamarac, FL 33321 (800) 432-8132 Ext 1167 bdeato@trulite.com												
Authorized Signature	Yiping Wang yiping@mcyengineering.com												
Technical Representative	Bong Deato												
Address/Phone/Email	800 Fairway Drive Suite 200 Deerfield Beach, FL 33441 (800) 432-8132 bdeato@trulite.com												
Quality Assurance Representative													
Address/Phone/Email													
Category	Panel Walls												
Subcategory	Storefronts												
Compliance Method	Evaluation Report from a Florida Registered Architect or a Licensed Florida Professional Engineer <input checked="" type="checkbox"/> Evaluation Report - Hardcopy Received												
Florida Engineer or Architect Name who developed the Evaluation Report	Yiping Wang												
Florida License	PE-55983												
Quality Assurance Entity	Keystone Certifications, Inc.												
Quality Assurance Contract Expiration Date	01/03/2023												
Validated By	Steven M. Urich, PE <input checked="" type="checkbox"/> Validation Checklist - Hardcopy Received												
Certificate of Independence	FL17879_R0_COI_Certificate of independence FL SS.pdf												
Referenced Standard and Year (of Standard)	<table border="0"> <thead> <tr> <th>Standard</th> <th>Year</th> </tr> </thead> <tbody> <tr> <td>ASTM E330</td> <td>2002</td> </tr> <tr> <td>ASTM E331</td> <td>2000</td> </tr> <tr> <td>TAS 201</td> <td>1994</td> </tr> <tr> <td>TAS 202</td> <td>1994</td> </tr> <tr> <td>TAS 203</td> <td>1994</td> </tr> </tbody> </table>	Standard	Year	ASTM E330	2002	ASTM E331	2000	TAS 201	1994	TAS 202	1994	TAS 203	1994
Standard	Year												
ASTM E330	2002												
ASTM E331	2000												
TAS 201	1994												
TAS 202	1994												
TAS 203	1994												
Equivalence of Product Standards Certified By	Florida Licensed Professional Engineer or Architect												

Sections from the Code

Product Approval Method Method 1 Option D

Date Submitted 07/09/2015

Date Validated 07/22/2015

Date Pending FBC Approval 08/03/2015

Date Approved 10/16/2015

Summary of Products

FL #	Model, Number or Name	Description
17879.1	Resistor Series 3200 Aluminum Thermal Storefront System	Series 3200 Aluminum Thermal Storefront System - LMI & SMI
Limits of Use Approved for use in HVHZ: Yes Approved for use outside HVHZ: Yes Impact Resistant: Yes Design Pressure: +65/-65 Other: For glass load and mullion load capacity vs. window sizes, see installation instructions.		Installation Instructions FL17879 R0 II Resistor 3200 Thermal Storefront Wall-LMI (AD11-23)07.09.15 SS.pdf Verified By: Yiping Wang PE #55983 Created by Independent Third Party: Yes Evaluation Reports FL17879 R0 AE Evaluation Report EVR SS .pdf Created by Independent Third Party: Yes

[Back](#) [Next](#)

Contact Us :: 1940 North Monroe Street, Tallahassee FL 32399 Phone: 850-487-1824

The State of Florida is an AA/EEO employer. [Copyright 2007-2013 State of Florida.](#) :: [Privacy Statement](#) :: [Accessibility Statement](#) :: [Refund Statement](#)

Under Florida law, email addresses are public records. If you do not want your e-mail address released in response to a public-records request, do not send electronic mail to this entity. Instead, contact the office by phone or by traditional mail. If you have any questions, please contact 850.487.1395. *Pursuant to Section 455.275(1), Florida Statutes, effective October 1, 2012, licensees licensed under Chapter 455, F.S. must provide the Department with an email address if they have one. The emails provided may be used for official communication with the licensee. However email addresses are public record. If you do not wish to supply a personal address, please provide the Department with an email address which can be made available to the public. To determine if you are a licensee under Chapter 455, F.S., please click [here](#).

Product Approval Accepts:



PRODUCT:

Resistor
Series 3200
ALUMINUM THERMAL
STOREFRONT
WALL - LMI

Resistor
PRODUCT SERIES

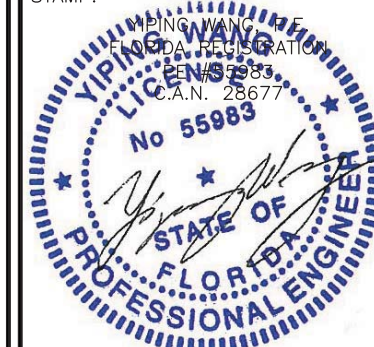
REVN	DATE/REMARKS
Rev. 1	3.14.14 UPDATE TO 2010 FBC
Rev. 2	6.16.15 UPDATE TO 2014 FBC

ENGINEER:



8501 SW 124 Ave. Ste. 205A
MIAMI, FL 33183
P: (305) 271-0117
Email: MCY.Engineering@att.net
www.MCYEngineering.com

STAMP:



July 9th, 2015

FLORIDA APPROVAL:

FL #17879

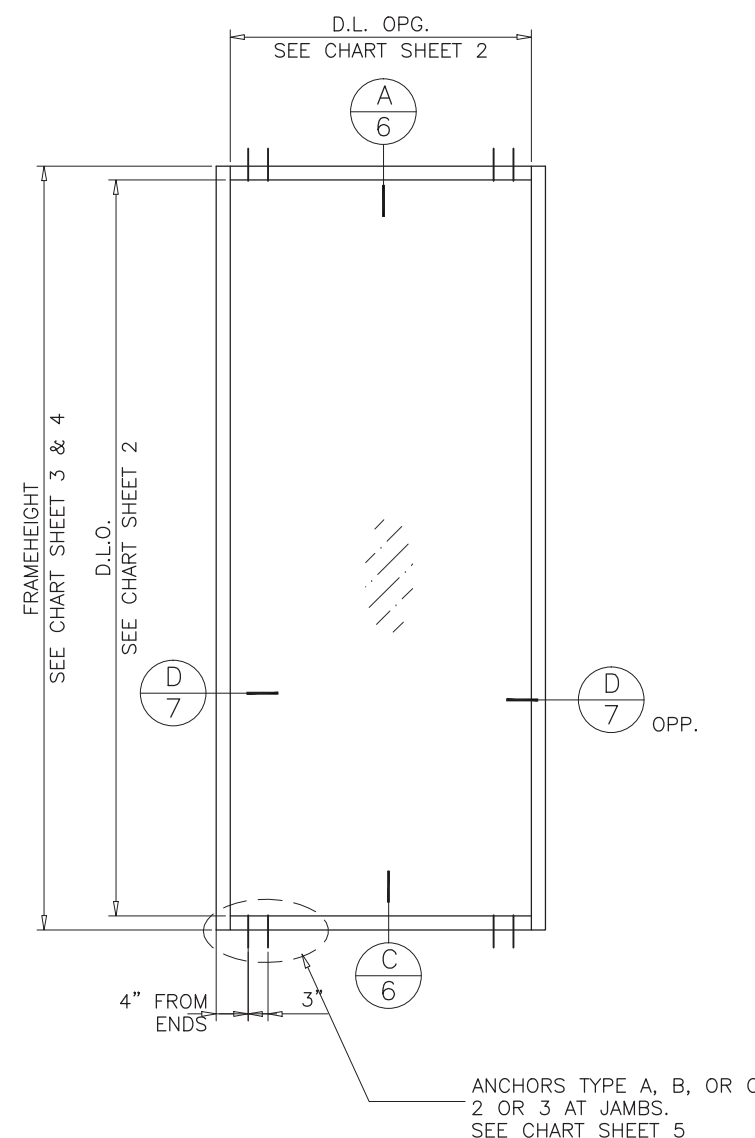
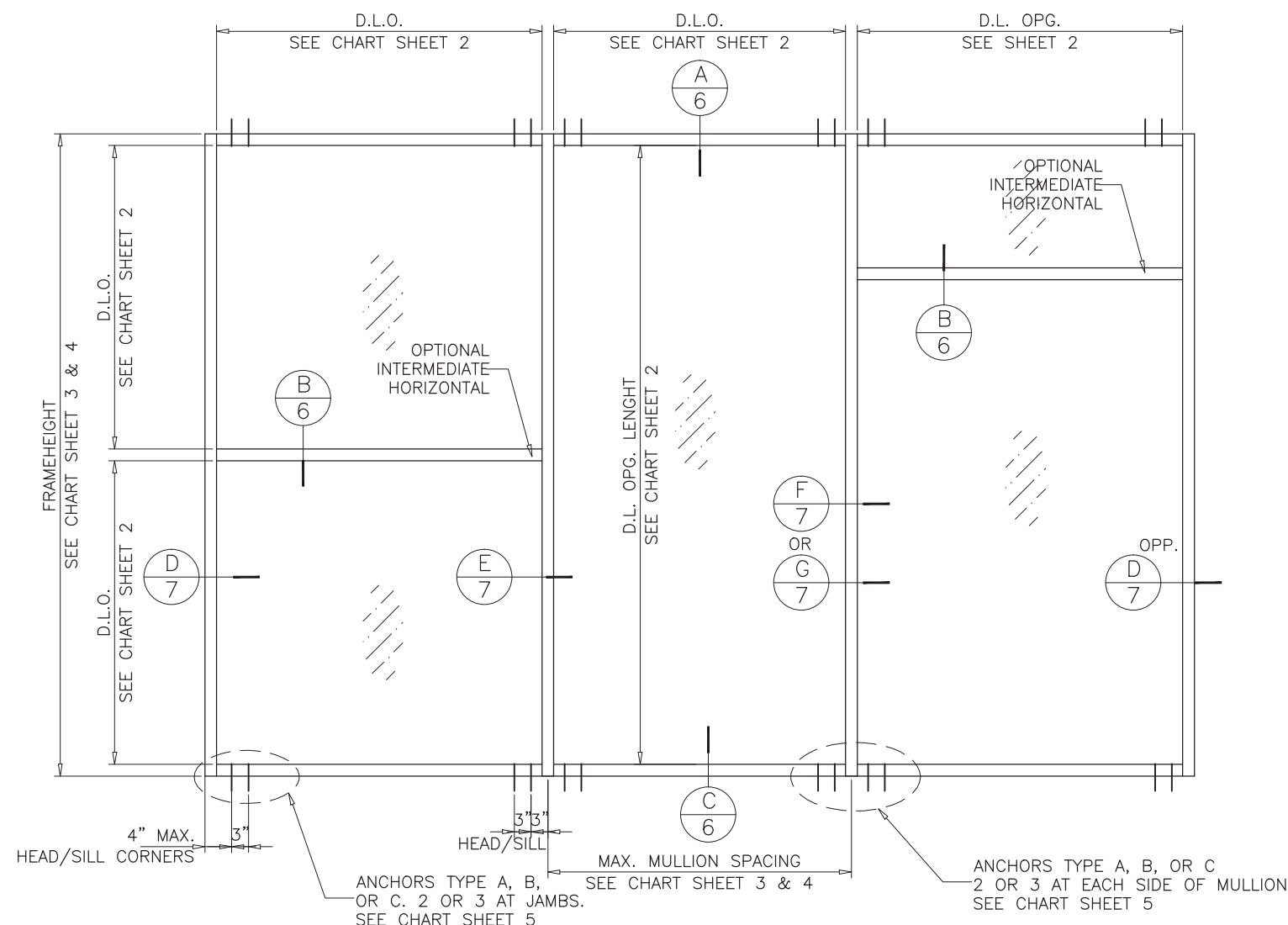
DRAWN: F.C.

DATE: 10-11-11

DWG: AD11-23

DRAWING No:

1 OF 8



SERIES 3200 THERMAL SYSTEM

- WINDOW WALL SYSTEM IS RATED FOR LARGE & SMALL MISSILE IMPACT. SHUTTERS ARE NOT REQUIRED.
- THIS SYSTEM MAY BE USED IN CONJUNCTION WITH MIAMI DADE COUNTY APPROVED ENTRANCE DOORS.
- CODE REQUIREMENTS FOR SAFEGUARDS MUST BE OBSERVED.
- THIS PRODUCT HAS BEEN DESIGNED AND TESTED TO COMPLY WITH THE REQUIREMENTS OF THE FLORIDA BUILDING CODE 5TH EDITION (2014) INCLUDING HIGH VELOCITY HURRICANE ZONE (HVHZ).
- ULTIMATE LOAD OBTAINED FROM ASCE 7-10, MULTIPLY BY 0.6 SHALL BE LESS THAN OR EQUAL TO MAX. DESIGN LOAD IN THIS DOCUMENT. THE DESIGN LOADS SHOWN IN THIS DOCUMENT ARE ALLOWABLE DESIGN LOADS.
- WOOD BUCKS BY OTHERS, MUST BE ANCHORED PROPERLY TO TRANSFER LOADS TO THE STRUCTURE.
- ANCHORS SHALL BE AS LISTED, SPACED AS SHOWN ON DETAILS, ANCHORS EMBEDMENT TO BASE MATERIAL SHALL BE BEYOND WALL DRESSING OR STUCCO.
- ANCHORING OR LOADING CONDITIONS NOT SHOWN IN THESE DETAILS ARE NOT PART OF THIS APPROVAL.
- A LOAD DURATION INCREASE IS USED IN DESIGN OF ANCHORS INTO WOOD ONLY.
- MATERIALS INCLUDING BUT NOT LIMITED TO STEEL/METAL SCREWS, THAT COME INTO CONTACT WITH OTHER DISSIMILAR MATERIALS SHALL MEET THE REQUIREMENTS OF THE FLORIDA BUILDING CODE 5TH EDITION (2014) SECTION AS APPLICABLE.

TYPICAL ELEVATIONS

INSTRUCTIONS:

USE CHARTS AS FOLLOWS.

- STEP 1:** DETERMINE DESIGN WIND LOAD REQUIREMENTS BASED ON WIND VELOCITY, BLDG. HEIGHT, WIND ZONE USING APPLICABLE ASCE 7-10 STANDARD.
- STEP 2:** SEE CHARTS ON SHEET 2 FOR GLASS LOAD CAPACITY OF DESIRED GLASS SIZE BASED ON APPLICABLE WIND DURATION.
- STEP 3:** CHECK MULLION AND JAMB CAPACITY FOR A GIVEN SPACING AND HEIGHT USING CHARTS ON SHEET 3 & 4. THE CAPACITY SHOULD EXCEED THE DESIGN LOAD.
- STEP 4:** USING CHART ON SHEETS 5 SELECT ANCHOR OPTION WITH DESIGN RATING MORE THAN DESIGN LOAD SPECIFIED IN STEP 1 ABOVE.
- STEP 5:** THE LOWEST VALUE RESULTING FROM STEPS 2, 3 AND 4 SHALL APPLY TO ENTIRE SYSTEM.
- STEP 6:** HIGHLIGHT OPTION USED AND TABLE VALUES USED IN A SPECIFIC APPLICATION WHEN USING THIS NOA TO APPLY FOR A PERMIT.

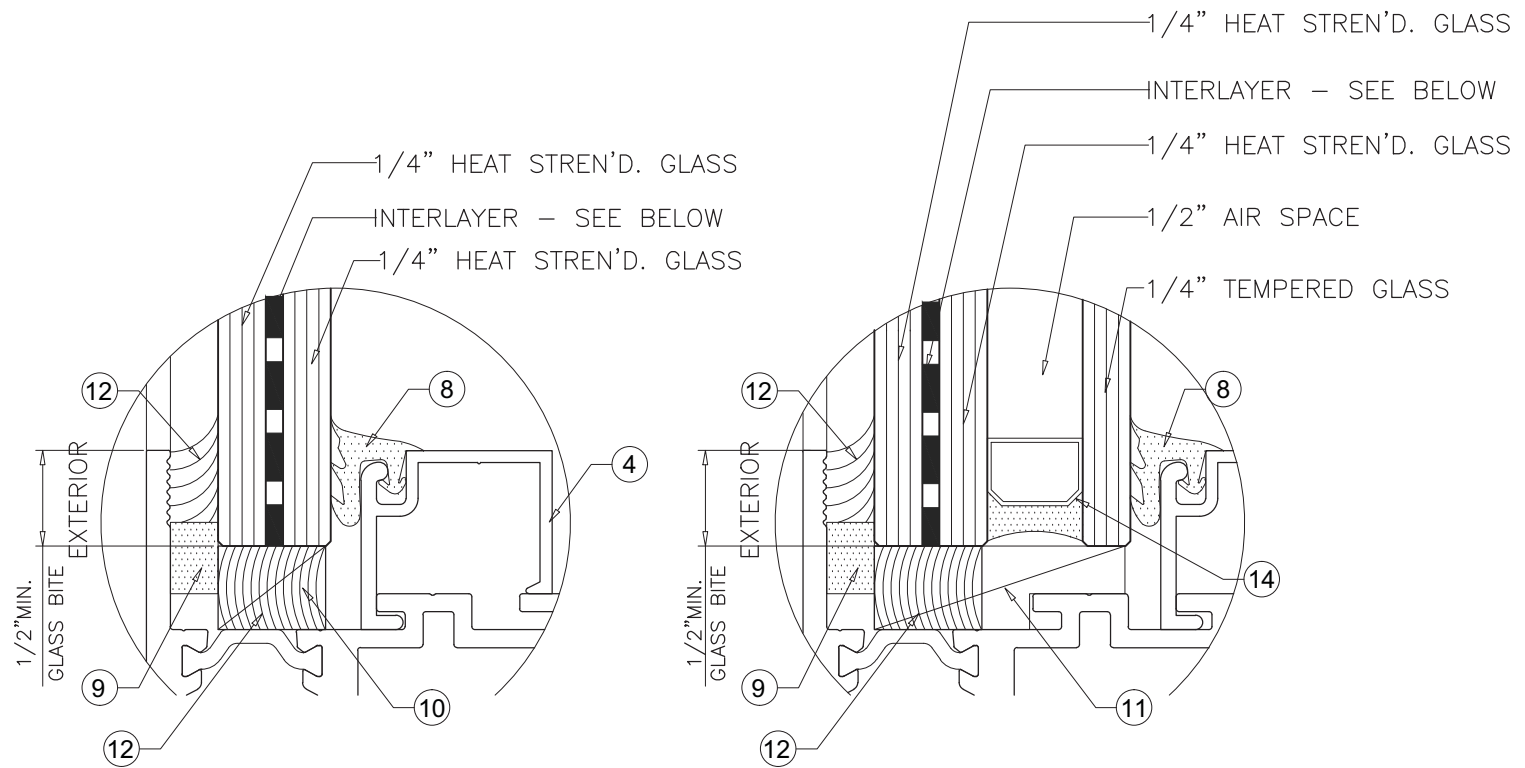
LIMITATIONS OF USE

- A) THIS PRODUCT EVALUATION DOCUMENT (P.E.D.) PREPARED BY THIS ENGINEER IS GENERIC AND DOES NOT PROVIDE INFORMATION FOR A SITE SPECIFIC PROJECT; i.e. WHERE THE SITE CONDITIONS DEVIATE FROM THE P.E.D.
- B) CONTRACTOR TO BE RESPONSIBLE FOR THE SELECTION, PURCHASE AND INSTALLATION OF THIS PRODUCT BASED ON THIS PRODUCT EVALUATION PROVIDED HE/SHE DOES NOT DEVIATE FROM THE CONDITIONS DETAILED ON THIS DOCUMENT.
- C) THIS PRODUCT EVALUATION DOCUMENT WILL BE CONSIDERED INVALID IF ALTERED BY ANY MEANS.
- D) SITE SPECIFIC PROJECTS SHALL BE PREPARED BY A FLORIDA REGISTERED ENGINEER OR ARCHITECT WHICH WILL BECOME THE ENGINEER OF RECORD (E.O.R.) FOR THE PROJECT AND WHO WILL BE RESPONSIBLE FOR THE PROPER USE OF THE P.E.D.
- E) THIS P.E.D. SHALL BEAR THE DATE AND ORIGINAL SEAL AND SIGNATURE OF THE PROFESSIONAL ENGINEER OF RECORD THAT PREPARED IT.

GLASS LOAD CAPACITY – PSF				
NOMINAL DIMS.		GLASS TYPE "A1"	GLASS TYPE "A2"	GLASS TYPE "A3"
D.L.O. WIDTH	D.L.O. HEIGHT	EXT.(+) INT.(-)	EXT.(+) INT.(-)	EXT.(+) INT.(-)
12"	68"	65.0	40.0	40.0
24"		65.0	40.0	40.0
36"		65.0	40.0	40.0
48"		65.0	40.0	40.0
57"		65.0	40.0	40.0
60"		–	40.0	40.0
63"		–	40.0	40.0
72"		–	40.0	40.0
12"	80"	65.0	40.0	40.0
24"		65.0	40.0	40.0
36"		65.0	40.0	40.0
48"		65.0	40.0	40.0
57"		–	40.0	40.0
60"		–	40.0	40.0
63"		–	40.0	40.0
72"		–	40.0	40.0
12"	92"	65.0	40.0	40.0
24"		65.0	40.0	40.0
36"		65.0	40.0	40.0
48"		–	40.0	40.0
57"		–	40.0	40.0
60"		–	40.0	40.0
63"		–	40.0	40.0
72"		–	40.0	40.0
12"	104"	65.0	40.0	40.0
24"		65.0	40.0	40.0
36"		65.0	40.0	40.0
48"		–	40.0	40.0
57"		–	40.0	40.0
60"		–	40.0	40.0
63"		–	40.0	40.0
72"		–	40.0	40.0
12"	116"	65.0	40.0	40.0
24"		65.0	40.0	40.0
36"		–	40.0	40.0
48"		–	40.0	40.0
57"		–	40.0	40.0
72"		–	40.0	40.0

GLASS LOAD CAPACITY – PSF			
NOMINAL DIMS.		GLASS TYPE "B1"	GLASS TYPE "B2"
D.L.O. WIDTH	D.L.O. HEIGHT	EXT.(+) INT.(-)	EXT.(+) INT.(-)
12"	68"	60.0	60.0
24"		60.0	60.0
36"		60.0	60.0
48"		60.0	60.0
57"		60.0	60.0
60"		60.0	60.0
63"		60.0	60.0
72"		60.0	60.0
12"	80"	60.0	60.0
24"		60.0	60.0
36"		60.0	60.0
48"		60.0	60.0
57"		60.0	60.0
60"		60.0	60.0
63"		60.0	60.0
72"		60.0	60.0
12"	92"	60.0	60.0
24"		60.0	60.0
36"		60.0	60.0
48"		60.0	60.0
57"		60.0	60.0
60"		60.0	60.0
63"		60.0	60.0
72"		60.0	60.0
12"	104"	60.0	60.0
24"		60.0	60.0
36"		60.0	60.0
48"		60.0	60.0
57"		60.0	60.0
60"		60.0	60.0
63"		60.0	60.0
72"		60.0	60.0
12"	116"	60.0	60.0
24"		60.0	60.0
36"		60.0	60.0
48"		60.0	60.0
57"		60.0	60.0
72"		60.0	60.0

NOTE:
GLASS CHECKED PER ASTM
E1300-09 AND TESTING



GLASS TYPE "A"

GLASS TYPE "B"

INTERLAYER TYPES

INTERLAYER TYPES

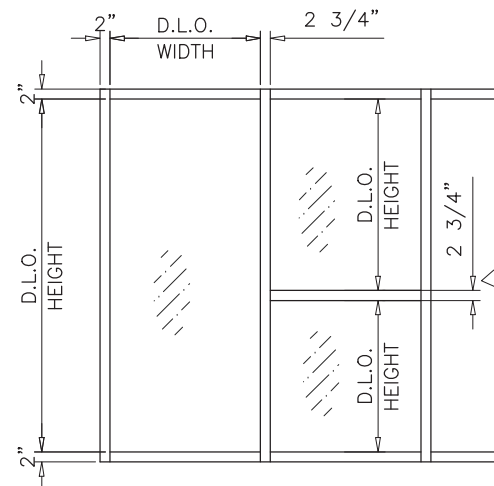
"A1" – .090 SAFLEX CLEAR AND COLOR
GLASS INTERLAYERS BY EASTMAN
CHEMICAL COMPANY

"B1" – .100 SAFLEX HP CLEAR AND COLOR
GLASS INTERLAYERS BY EASTMAN
CHEMICAL COMPANY

"A2" – .100 SAFLEX HP CLEAR AND COLOR
GLASS INTERLAYERS BY EASTMAN CHEMICAL
COMPANY

"B2" – .090 KURARAY SENTRYGLAS® INTERLAYER BY
KURARAY AMERICA, INC.

"A3" – .090 KURARAY SENTRYGLAS® INTERLAYER BY
KURARAY AMERICA, INC.



STEP 2: GLASS LOAD CAPACITY

Trulite
GLASS & ALUMINUM SOLUTIONS™

http://www.trulite.com

800 FAIRWAY DRIVE, Suite 200
DEERFIELD BEACH, FL 33441
p. 800-432-8132 | f. 954-724-2083

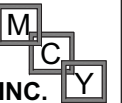
PRODUCT:

Resistor
Series 3200
ALUMINUM THERMAL
STOREFRONT
WALL - LMI

Resistor
PRODUCT SERIES

REVN	DATE/REMARKS
Rev. 1	3.14.14 UPDATE TO 2010 FBC
Rev. 2	6.16.15 UPDATE TO 2014 FBC

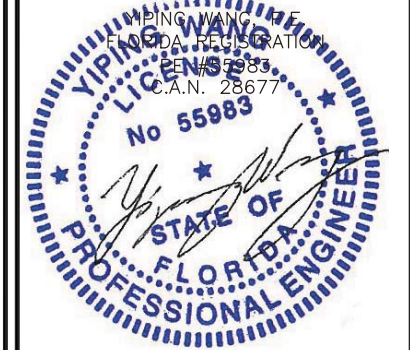
ENGINEER:



MCY ENGINEERING, INC.
GLAZING CONSULTANT

8501 SW 124 Ave. Ste. 205A
MIAMI, FL 33183
P: (305) 271-0117
Email: MCY.Engineering@att.net
www.MCYEngineering.com

STAMP:



July 9th, 2015

FLORIDA APPROVAL:

FL #17879

DRAWN: F.C.

DRAWING No:

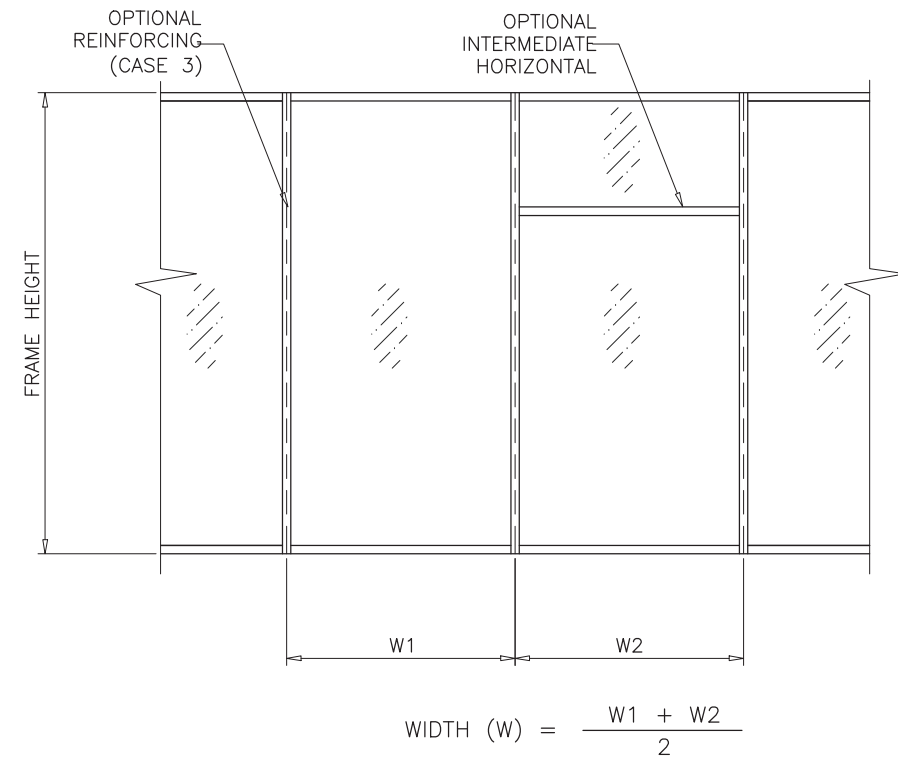
DATE: 10-11-11

2 OF 8

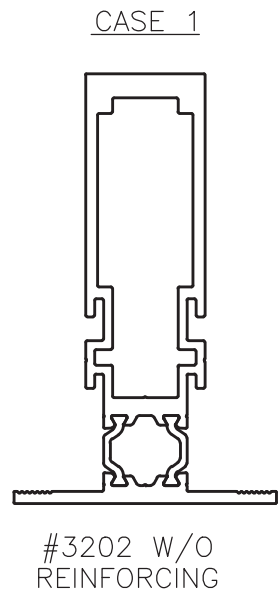
DWG: AD11-23

MULLION LOAD CAPACITY – PSF #3202 MULLION				
NOMINAL DIMS.		CASE 1	CASE 2	CASE 3
WIDTH (W)	FRAME HEIGHT	EXT.(+) INT.(-)	EXT.(+) INT.(-)	EXT.(+) INT.(-)
12"	84"	65.0	65.0	65.0
18"		65.0	65.0	65.0
24"		65.0	65.0	65.0
30"		65.0	65.0	65.0
36"		65.0	65.0	65.0
42"		65.0	65.0	65.0
48"		65.0	65.0	65.0
54"		65.0	65.0	65.0
60"		65.0	65.0	65.0
66"		65.0	65.0	65.0
72"		65.0	65.0	65.0
12"		96"	65.0	65.0
18"	65.0		65.0	65.0
24"	65.0		65.0	65.0
30"	65.0		65.0	65.0
36"	65.0		65.0	65.0
42"	65.0		65.0	65.0
48"	65.0		65.0	65.0
54"	60.0		65.0	65.0
60"	54.0		65.0	65.0
66"	49.0		62.0	65.0
72"	45.0		57.0	65.0

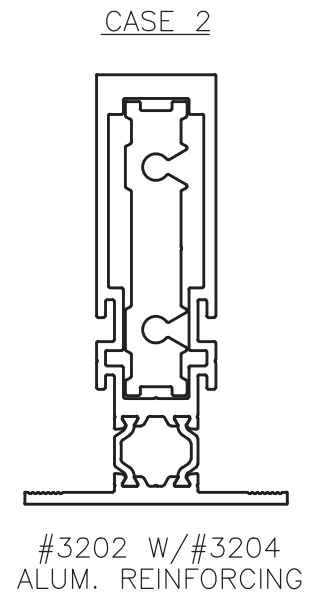
MULLION LOAD CAPACITY – PSF #3202 MULLION					
NOMINAL DIMS.		CASE 1	CASE 2	CASE 3	
WIDTH (W)	FRAME HEIGHT	EXT.(+) INT.(-)	EXT.(+) INT.(-)	EXT.(+) INT.(-)	
12"	108"	65.0	65.0	65.0	
18"		65.0	65.0	65.0	
24"		65.0	65.0	65.0	
30"		65.0	65.0	65.0	
36"		63.0	65.0	65.0	
42"		54.0	65.0	65.0	
48"		48.0	65.0	65.0	
54"		42.0	53.0	65.0	
60"		38.0	48.0	65.0	
66"		35.0	43.0	60.0	
12"		120"	40.0	60.0	60.0
18"			40.0	60.0	60.0
24"	40.0		60.0	60.0	
30"	40.0		60.0	60.0	
36"	40.0		58.0	60.0	
42"	40.0		50.0	60.0	
48"	35.0		43.0	60.0	
54"	31.0		39.0	58.0	
60"	28.0		35.0	52.0	



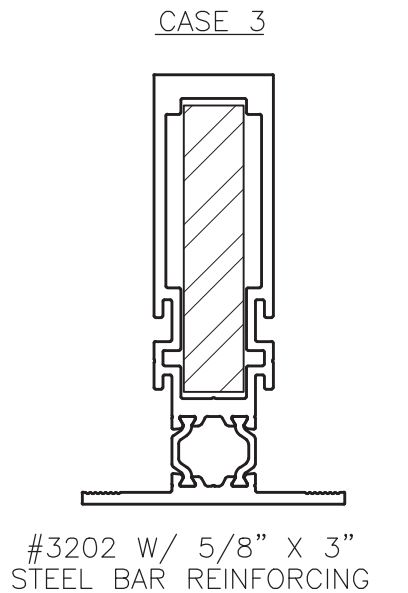
TYPICAL ELEVATION



Ix IN ⁴	Sx IN ³
4.7792	2.0535



	Ix IN ⁴	Sx IN ³
Mullion	4.7792	2.0535
ALUM. REINF.	1.1440	0.7428
TOTAL	5.9232	2.8844



	Ix IN ⁴	Sx IN ³
ALUMINUM	4.7792	2.0535
STEEL	1.4063	0.9375
TOTAL	8.8574	—
Ix ALUM+STL X 2.9		

STEP 3: MULLION LOAD CAPACITY



GLASS & ALUMINUM SOLUTIONS™
<http://www.trulite.com>
 800 FAIRWAY DRIVE, Suite 200
 DEERFIELD BEACH, FL 33441
 p. 800-432-8132 | f. 954-724-2083

PRODUCT:
Resistor
Series 3200
 ALUMINUM THERMAL
 STOREFRONT
 WALL - LMI
Resistor
 PRODUCT SERIES

REVN	DATE/REMARKS
Rev. 1	3.14.14 UPDATE TO 2010 FBC
Rev. 2	6.16.15 UPDATE TO 2014 FBC

ENGINEER:

MCY ENGINEERING, INC.
 GLAZING CONSULTANT
 8501 SW 124 Ave. Ste. 205A
 MIAMI, FL 33183
 P: (305) 271-0117
 Email: MCY.Engineering@att.net
www.MCYEngineering.com

STAMP:

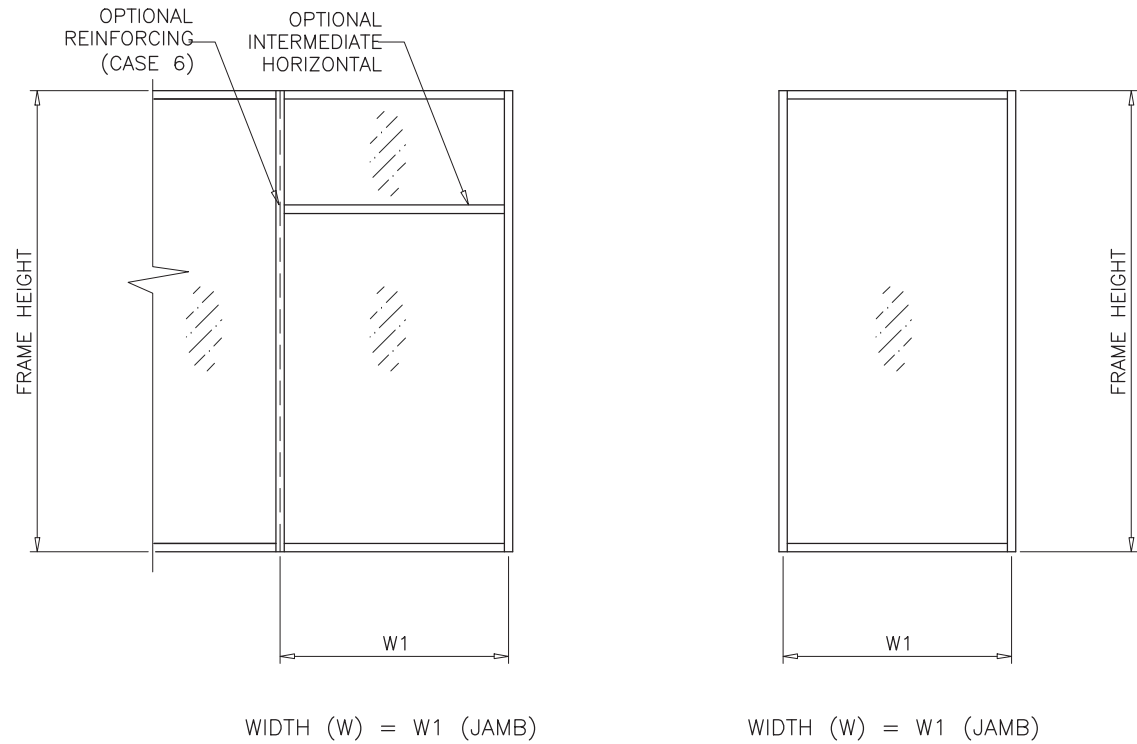
 July 9th, 2015

FLORIDA APPROVAL:
 FL #17879

DRAWN: F.C.
 DATE: 10-11-11
 DWG: AD11-23
 DRAWING No:
3 OF 8

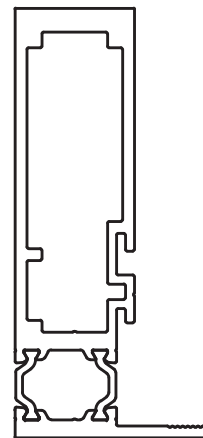
JAMB LOAD CAPACITY – PSF #3201 JAMB				
NOMINAL DIMS.		CASE 4	CASE 5	CASE 6
WIDTH (W)	FRAME HEIGHT	EXT.(+) INT.(-)	EXT.(+) INT.(-)	EXT.(+) INT.(-)
12"	84"	65.0	65.0	65.0
18"		65.0	65.0	65.0
24"		65.0	65.0	65.0
30"		65.0	65.0	65.0
36"		65.0	65.0	65.0
42"		65.0	65.0	65.0
48"		65.0	65.0	65.0
54"		65.0	65.0	65.0
60"		65.0	65.0	65.0
66"		65.0	65.0	65.0
72"		65.0	65.0	65.0
12"		96"	65.0	65.0
18"	65.0		65.0	65.0
24"	65.0		65.0	65.0
30"	65.0		65.0	65.0
36"	65.0		65.0	65.0
42"	65.0		65.0	65.0
48"	65.0		65.0	65.0
54"	65.0		65.0	65.0
60"	65.0		65.0	65.0
66"	65.0		62.0	65.0
72"	65.0		57.0	65.0

JAMB LOAD CAPACITY – PSF #3201 JAMB				
NOMINAL DIMS.		CASE 4	CASE 5	CASE 6
WIDTH (W)	FRAME HEIGHT	EXT.(+) INT.(-)	EXT.(+) INT.(-)	EXT.(+) INT.(-)
12"	108"	65.0	65.0	65.0
18"		65.0	65.0	65.0
24"		65.0	65.0	65.0
30"		65.0	65.0	65.0
36"		65.0	65.0	65.0
42"		65.0	65.0	65.0
48"		65.0	65.0	65.0
54"		65.0	65.0	65.0
60"		65.0	65.0	65.0
66"		60.0	60.0	60.0
72"		60.0	60.0	60.0
12"		120"	60.0	60.0
18"	60.0		60.0	60.0
24"	60.0		60.0	60.0
30"	60.0		60.0	60.0
36"	60.0		60.0	60.0
42"	60.0		60.0	60.0
48"	60.0		60.0	60.0
54"	58.0		60.0	60.0
60"	52.0		60.0	60.0



TYPICAL ELEVATION

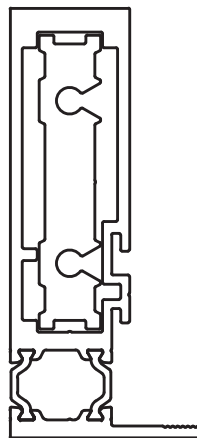
CASE 4



#3201 W/O REINFORCING

Ix IN ⁴	Sx IN ³
4.4705	1.9764

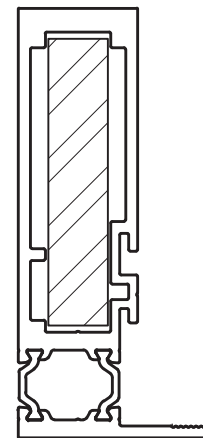
CASE 5



#3201 W/ #3204 ALUM. REINFORCING

	Ix IN ⁴	Sx IN ³
Mullion	4.4705	1.9764
ALUM. REINF.	1.1440	0.7428
TOTAL	5.6145	2.7192

CASE 6



#3201 W/ 5/8" X 3" STEEL BAR REINFORCING

	Ix IN ⁴	Sx IN ³
ALUMINUM	4.4705	1.9764
STEEL	1.4063	0.9375
TOTAL	5.8768	-
Ix ALUM + STL X 2.9		

STEP 3: JAMB LOAD CAPACITY



GLASS & ALUMINUM SOLUTIONS™

http://www.trulite.com

800 FAIRWAY DRIVE, Suite 200
DEERFIELD BEACH, FL 33441
p. 800-432-8132 | f. 954-724-2083

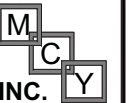
PRODUCT:

Resistor
Series 3200
ALUMINUM THERMAL
STOREFRONT
WALL - LMI



REVN	DATE/REMARKS
Rev. 1	3.14.14 UPDATE TO 2010 FBC
Rev. 2	6.16.15 UPDATE TO 2014 FBC

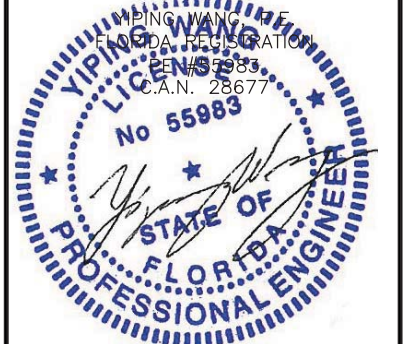
ENGINEER:



MCY ENGINEERING, INC.
GLAZING CONSULTANT

8501 SW 124 Ave. Ste. 205A
MIAMI, FL 33183
P: (305) 271-0117
Email: MCY.Engineering@att.net
www.MCYEngineering.com

STAMP:



July 9th, 2015

FLORIDA APPROVAL:

FL #17879

DRAWN: F.C.

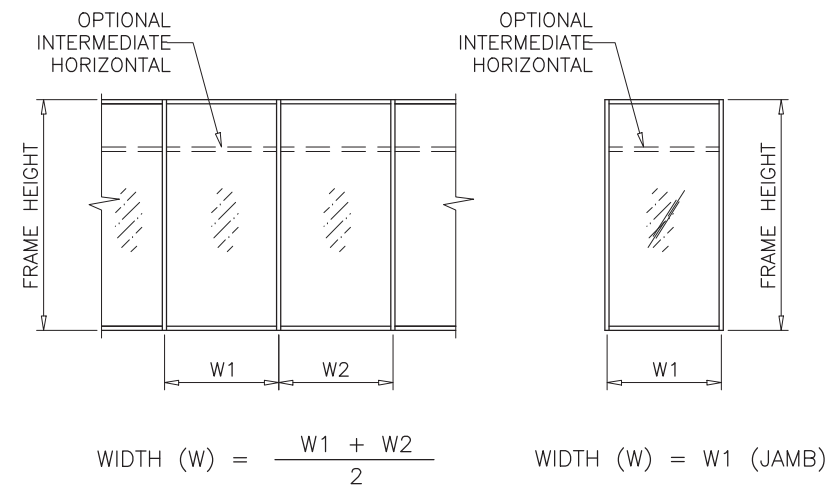
DRAWING No:

DATE: 10-11-11

4 OF 8

DWG: AD11-23

NOMINAL DIMENSIONS		ANCHOR TYPES			NOMINAL DIMENSIONS		ANCHOR TYPES		
MULLION WIDTH	FRAME HEIGHT	"A2"	"B2"	"C2"	MULLION WIDTH	FRAME HEIGHT	"A3"	"B3"	"C3"
		CAPACITIES (LBS)					CAPACITIES (LBS)		
(in.)	(in.)	1004	1332	1916	(in.)	(in.)	1506	1999	2874
		DESIGN LOAD CAPACITY (PSF)					DESIGN LOAD CAPACITY (PSF)		
36"	84"	65.0	65.0	65.0	36"	84"	65.0	65.0	65.0
42"		65.0	65.0	65.0	42"		65.0	65.0	65.0
48"		65.0	65.0	65.0	48"		65.0	65.0	65.0
54"		63.7	65.0	65.0	54"		65.0	65.0	65.0
60"		57.4	65.0	65.0	60"		65.0	65.0	65.0
66"		52.2	65.0	65.0	66"		65.0	65.0	65.0
72"		47.8	63.5	65.0	72"		65.0	65.0	65.0
36"	96"	65.0	65.0	65.0	36"	96"	65.0	65.0	65.0
42"		65.0	65.0	65.0	42"		65.0	65.0	65.0
48"		62.8	65.0	65.0	48"		65.0	65.0	65.0
54"		55.8	65.0	65.0	54"		65.0	65.0	65.0
60"		50.2	65.0	65.0	60"		65.0	65.0	65.0
66"		45.6	60.6	65.0	66"		65.0	65.0	65.0
72"		41.8	55.5	65.0	72"		62.8	65.0	65.0
36"	108"	65.0	65.0	65.0	36"	108"	65.0	65.0	65.0
42"		63.7	65.0	65.0	42"		65.0	65.0	65.0
48"		55.8	65.0	65.0	48"		65.0	65.0	65.0
54"		49.6	65.0	65.0	54"		65.0	65.0	65.0
60"		44.6	59.2	65.0	60"		65.0	65.0	65.0
66"		40.6	53.8	65.0	66"		60.8	65.0	65.0
36"		120"	65.0	65.0	65.0		36"	120"	65.0
42"	57.4		65.0	65.0	42"	65.0	65.0		65.0
48"	50.2		65.0	65.0	48"	65.0	65.0		65.0
54"	44.6		59.2	65.0	54"	65.0	65.0		65.0
60"	40.2		53.3	65.0	60"	60.2	65.0		65.0

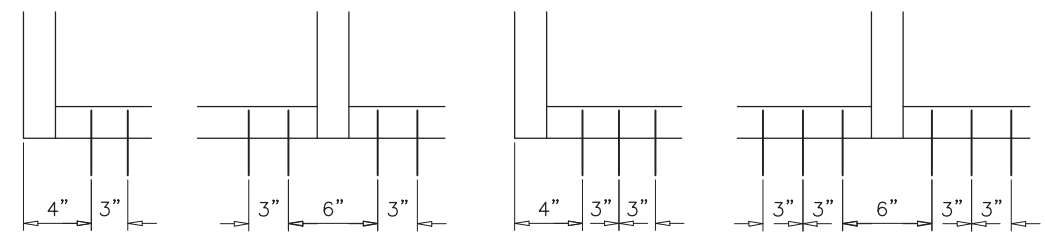


ANCHORS TYPES: SEE SHEET 6 FOR DESCRIPTION

- "A2" - (2) ANCHORS TYPE 'A' AT EA. SIDE OF MULLION OR JAMB
- "B2" - (2) ANCHORS TYPE 'B' AT EA. SIDE OF MULLION OR JAMB
- "C2" - (2) ANCHORS TYPE 'C' AT EA. SIDE OF MULLION OR JAMB
- "A3" - (3) ANCHORS TYPE 'A' AT EA. SIDE OF MULLION OR JAMB
- "B3" - (3) ANCHORS TYPE 'B' AT EA. SIDE OF MULLION OR JAMB
- "C3" - (3) ANCHORS TYPE 'C' AT EA. SIDE OF MULLION OR JAMB

ALL OTHER ANCHORS TO BE SPACED AS PER ELEVATION.

TYPICAL ANCHOR CLUSTERS (HEAD AND SILL)



A2, B2, C2

A3, B3, C3

Trulite
GLASS & ALUMINUM SOLUTIONS™
http://www.trulite.com
800 FAIRWAY DRIVE, Suite 200
DEERFIELD BEACH, FL 33441
p. 800-432-8132 | f. 954-724-2083

PRODUCT:
Resistor Series 3200
ALUMINUM THERMAL STOREFRONT WALL - LMI
Resistor
PRODUCT SERIES

REVN	DATE/REMARKS
Rev. 1	3.14.14 UPDATE TO 2010 FBC
Rev. 2	6.16.15 UPDATE TO 2014 FBC

ENGINEER:
MCY ENGINEERING, INC.
GLAZING CONSULTANT
8501 SW 124 Ave. Ste. 205A
MIAMI, FL 33183
P: (305) 271-0117
Email: MCY.Engineering@att.net
www.MCYEngineering.com

STAMP:
YIPING WANG
FLORIDA REGISTRATION
PEN 155983
C.A.N. 28677
No 55983
STATE OF FLORIDA
PROFESSIONAL ENGINEER
July 9th, 2015

FLORIDA APPROVAL:
FL #17879

STEP 4: ANCHOR LOAD CAPACITY

DRAWN: F.C.
DATE: 10-11-11
DWG: AD11-23
DRAWING No:
5 OF 8

PRODUCT:

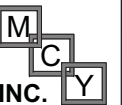
Resistor Series 3200

ALUMINUM THERMAL STOREFRONT WALL - LMI

Resistor
PRODUCT SERIES

REVN	DATE/REMARKS
Rev. 1	3.14.14 UPDATE TO 2010 FBC
Rev. 2	6.16.15 UPDATE TO 2014 FBC

ENGINEER:



MCY ENGINEERING, INC.
GLAZING CONSULTANT

8501 SW 124 Ave. Ste. 205A
MIAMI, FL 33183
P: (305) 271-0117
Email: MCY.Engineering@att.net
www.MCYEngineering.com

STAMP:



FLORIDA APPROVAL:

FL #17879

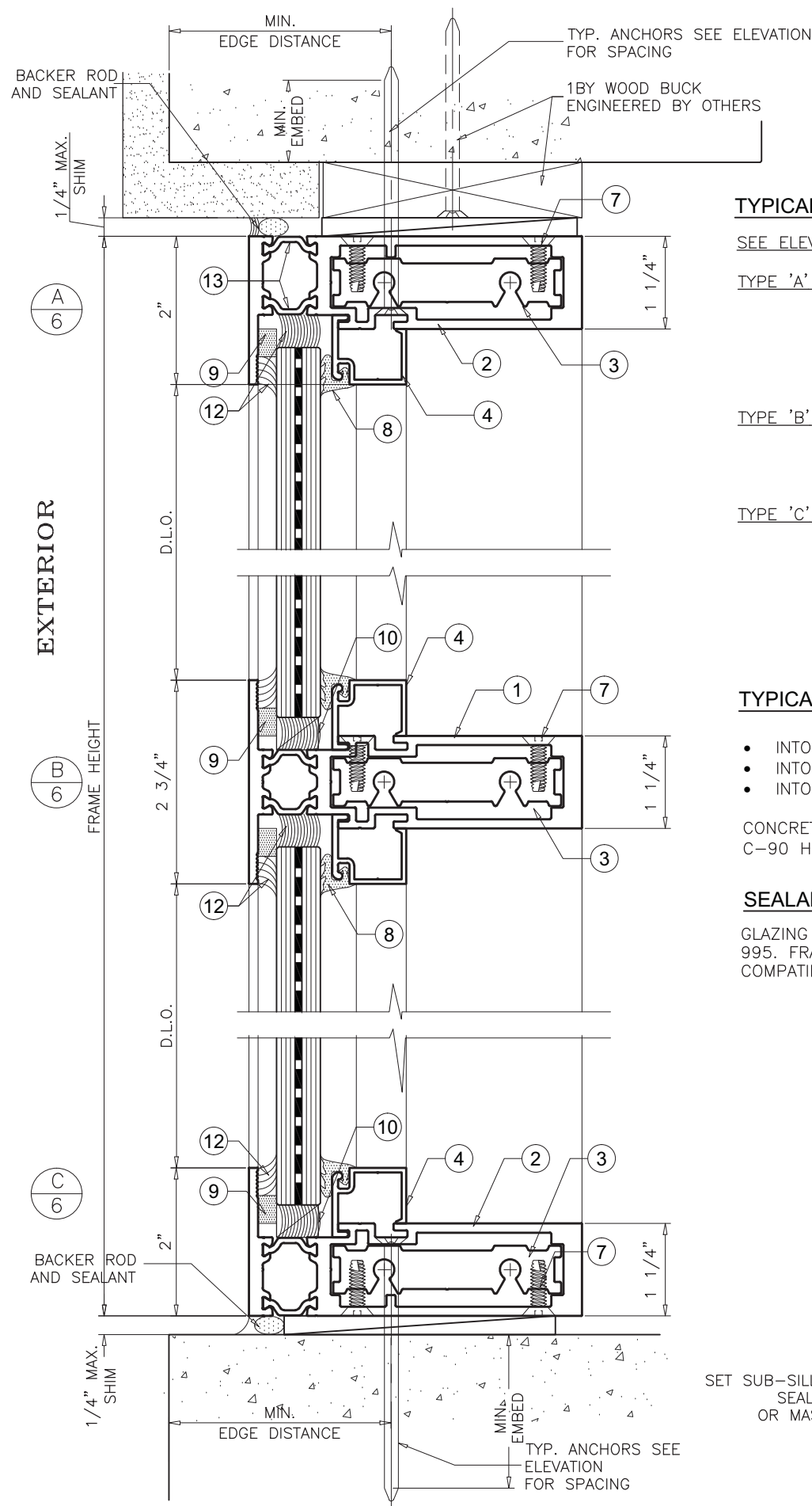
DRAWN: F.C.

DRAWING No:

DATE: 10-11-11

6 OF 8

DWG: AD11-23



WOOD BUCKS NOT BY TRULITE. MUST SUPPORT LOADS IMPOSED BY GLAZING SYSTEM AND TRANSFER THEM TO THE BUILDING STRUCTURE.

TYPICAL ANCHORS:

SEE ELEVATIONS FOR SPACING

TYPE 'A' 1/4" DIA. TAPCON BY 'ITW' (fu=120 KSI, fy=92 KSI) INTO 2BY WOOD BUCKS OR WOOD STRUCTURES 1-3/8" MIN. PENETRATION INTO WOOD.

THRU WOOD BUCKS INTO CONCRETE. 1-1/4" MIN. EMBED INTO CONCRETE.

TYPE 'B' 1/4" DIA. TAPCON BY 'ITW' (fu=120 KSI, fy=92 KSI) DIRECTLY INTO CONC.

1-1/2" MIN. EMBED INTO CONC.

TYPE 'C' #14 SMS OR SELF DRILLING SCREWS INTO MIAMI-DADE COUNTY APPROVED MULLIONS (1/8" THK. MIN.) INTO METAL STRUCTURE.

STEEL : 12 GA. MIN. (Fy = 36 KSI MIN.)
ALUMINUM : 1/8" THK. MIN. (6063-T5 MIN.)
(STEEL IN CONTACT WITH ALUMINUM TO BE PLATED OR PAINTED)

TYPICAL EDGE DISTANCE

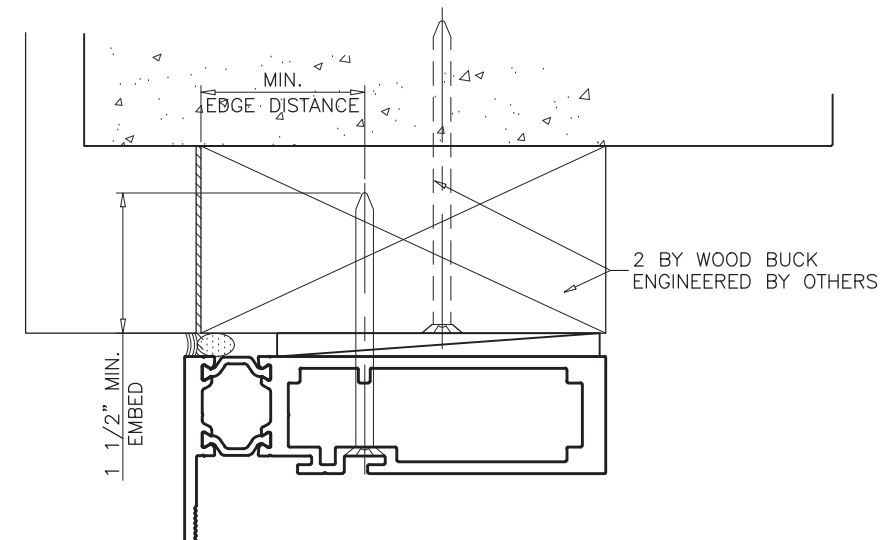
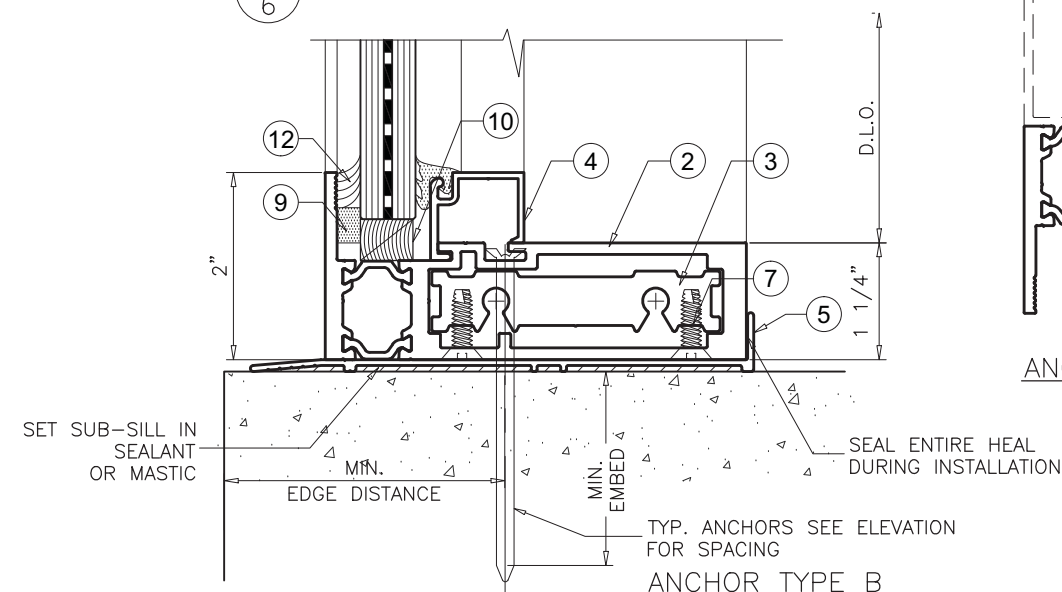
- INTO CONCRETE AND MASONRY = 2-1/2" MIN.
- INTO WOOD STRUCTURE = 1" MIN.
- INTO METAL STRUCTURE = 3/4" MIN.

CONCRETE f'c = 3000 PSI MIN.
C-90 HOLLOW/FILLED BLOCK f'm = 2000 PSI MIN., NORMAL STRENGTH CMU

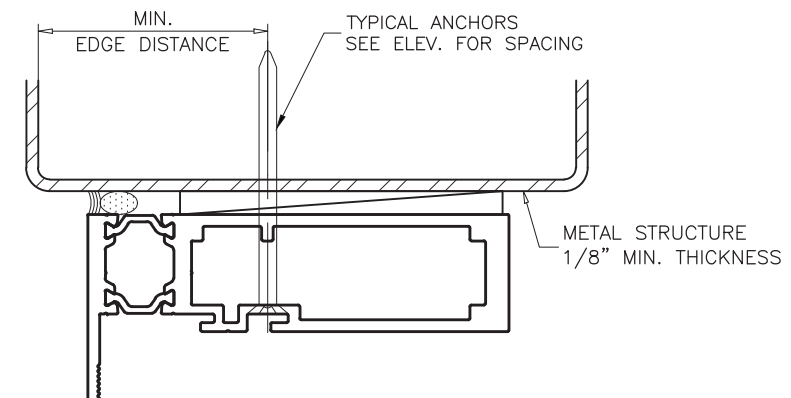
SEALANTS:

GLAZING BEAD AT FRAME SILL SEALED TO GLASS WITH DOW CORNING 995. FRAME CORNERS SEALED WITH DOW CORNING 999 OR EQUAL COMPATIBLE.

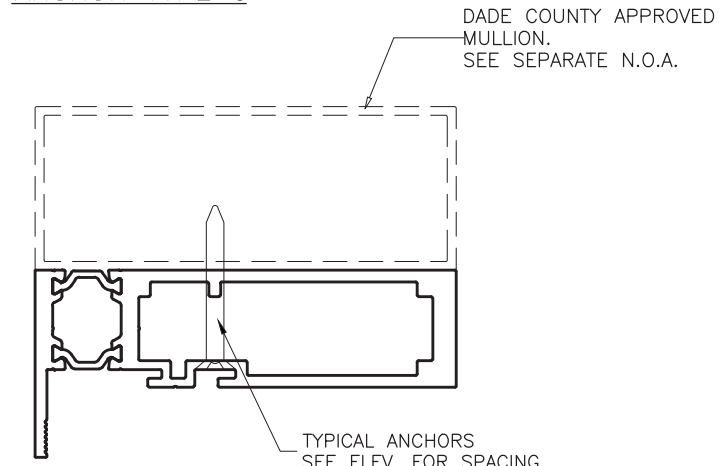
OPTIONAL DETAIL WITH SUB SILL



ANCHOR TYPE A



ANCHOR TYPE C



ANCHOR TYPE C

PRODUCT:

**Resistor
Series 3200**
ALUMINUM THERMAL
STOREFRONT
WALL - LMI



REVN	DATE/REMARKS
Rev. 1	3.14.14 UPDATE TO 2010 FBC
Rev. 2	6.16.15 UPDATE TO 2014 FBC

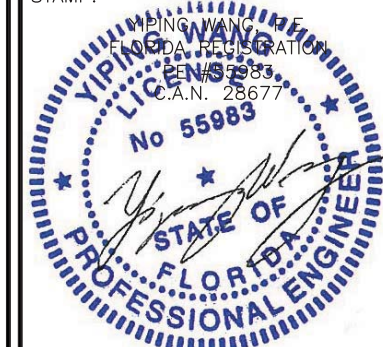
ENGINEER:



MCY ENGINEERING, INC.
GLAZING CONSULTANT

8501 SW 124 Ave. Ste. 205A
MIAMI, FL 33183
P: (305) 271-0117
Email: MCY.Engineering@att.net
www.MCYEngineering.com

STAMP:



July 9th, 2015

FLORIDA APPROVAL:

FL #17879

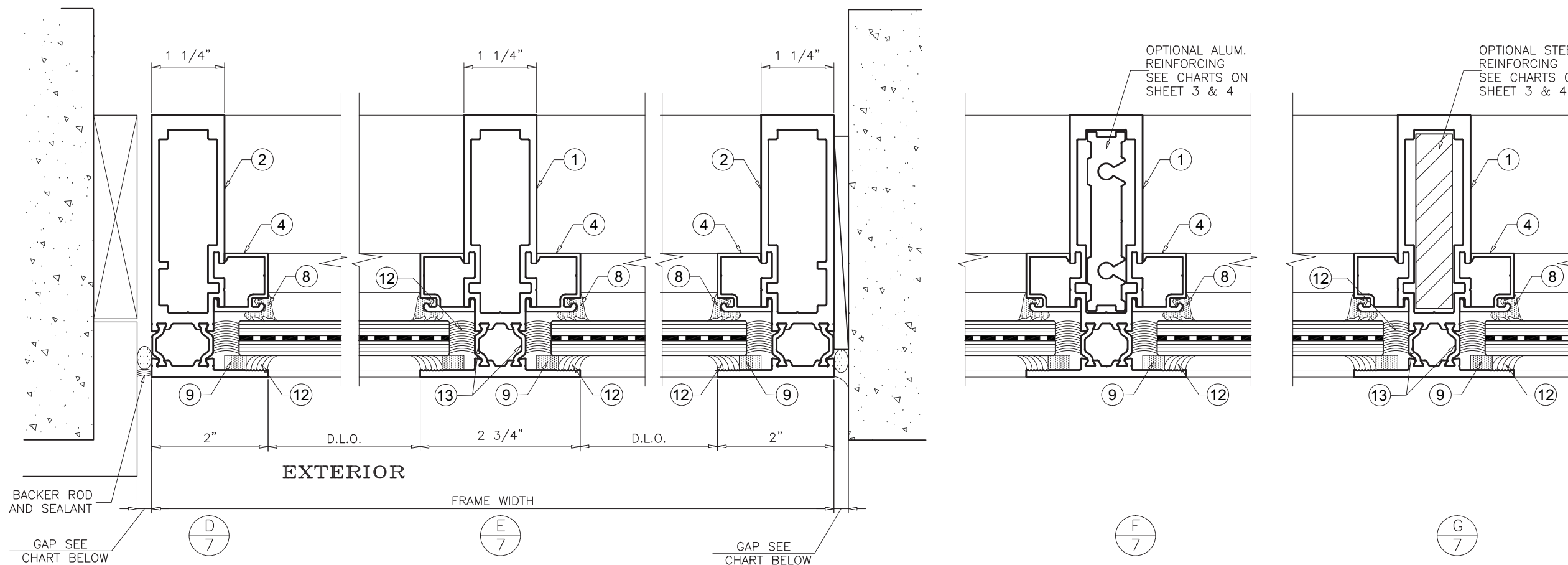
DRAWN: F.C.

DRAWING No:

DATE: 10-11-11

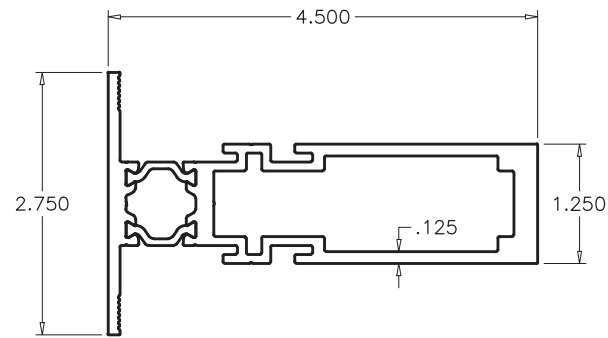
7 OF 8

DWG: AD11-23

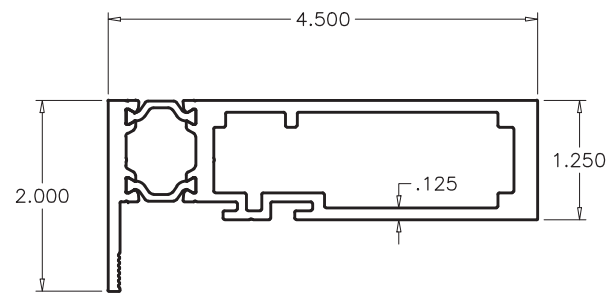


MAX. FRAME HEIGHT	GAP	
	MIN.	MAX.
84"	1/4"	3/4"
96"	3/8"	3/4"
108"	3/8"	3/4"
120"	1/2"	3/4"

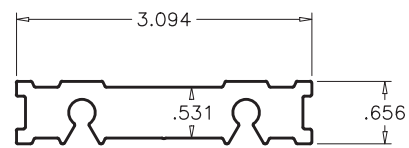
ITEM NO.	PART NUMBER	QUANTITY	DESCRIPTION	MATERIAL	MANF./SUPPLIER/REMARKS
1	3202	AS REQD.	MULLION / INTERMEDIATE	6063-T6 ALUM	TRULITE
2	3201	AS REQD.	HEAD / SILL / JAMB	6063-T6 ALUM	TRULITE
3	3204	AS REQD.	SHEAR BLOCK / REINFORCING	6063-T6 ALUM	TRULITE
4	3003	AS REQD.	GLASS STOP	6063-T6 ALUM	TRULITE
5	4016	AS REQD.	OPTIONAL SUB-SILL	6063-T6 ALUM	TRULITE
6	P13	2/SHEAR BLOCK	1/4-20 X 1-1/2" PHMS TYPE 23	STEEL	-
7	S14	2/SHEAR BLOCK	#12-24 X 3/4" FHPMS TYPE 23	STEEL	-
8	H63	AS REQD.	WEDGE-IN GASKET	EPDM, DURO 60 ±5	-
9	V2100	AS REQD.	GLAZING FOAM TAPE	3/8" X 1/4" FOAM	NORTON
10	H62G	2/ LITE	SETTING BLOCK (9/16" GLASS)	7/16" X 9/16" X 4" EPDM, DURO 85 ±5	-
11	H62J	2/ LITE	SETTING BLOCK (1 5/16" GLASS)	7/16" X 1 5/16" X 4" EPDM, DURO 85 ±5	-
12	995	AS REQD.	GLAZING SEALANT	SILICONE	DOW CORNING
13	-	AS REQD.	THERMAL ISOLATOR	POLYAMIDE	TECHNOFORM
14	1122	AS REQD.	INSULATED ALUMINUM SPACER	0.501 X 0.282 X 0.031, 6063-T5 ALUM	ALL METAL, INC.



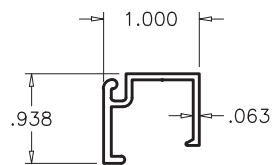
① 3202 - INTERMEDIATE VERTICAL/HORIZONTAL



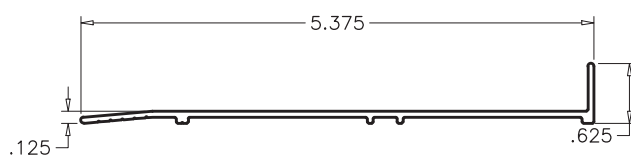
② 3201 - FRAME HEAD/SILL/JAMB



③ 3204 - SHEAR BLOCK / MULLION REINFORCING



④ 3003 - GLASS STOP



⑤ 4016 - OPTIONAL SUB-SILL



⑥ P13 - FAB SCREW, SHEAR BLOCK TO FRAME



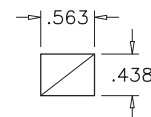
⑦ S14 - FAB SCREW, FRAME TO SHEAR BLOCK



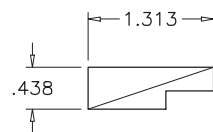
⑧ H-63 EPDM GLAZING GASKET



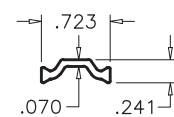
⑨ V2100 GLAZING TAPE



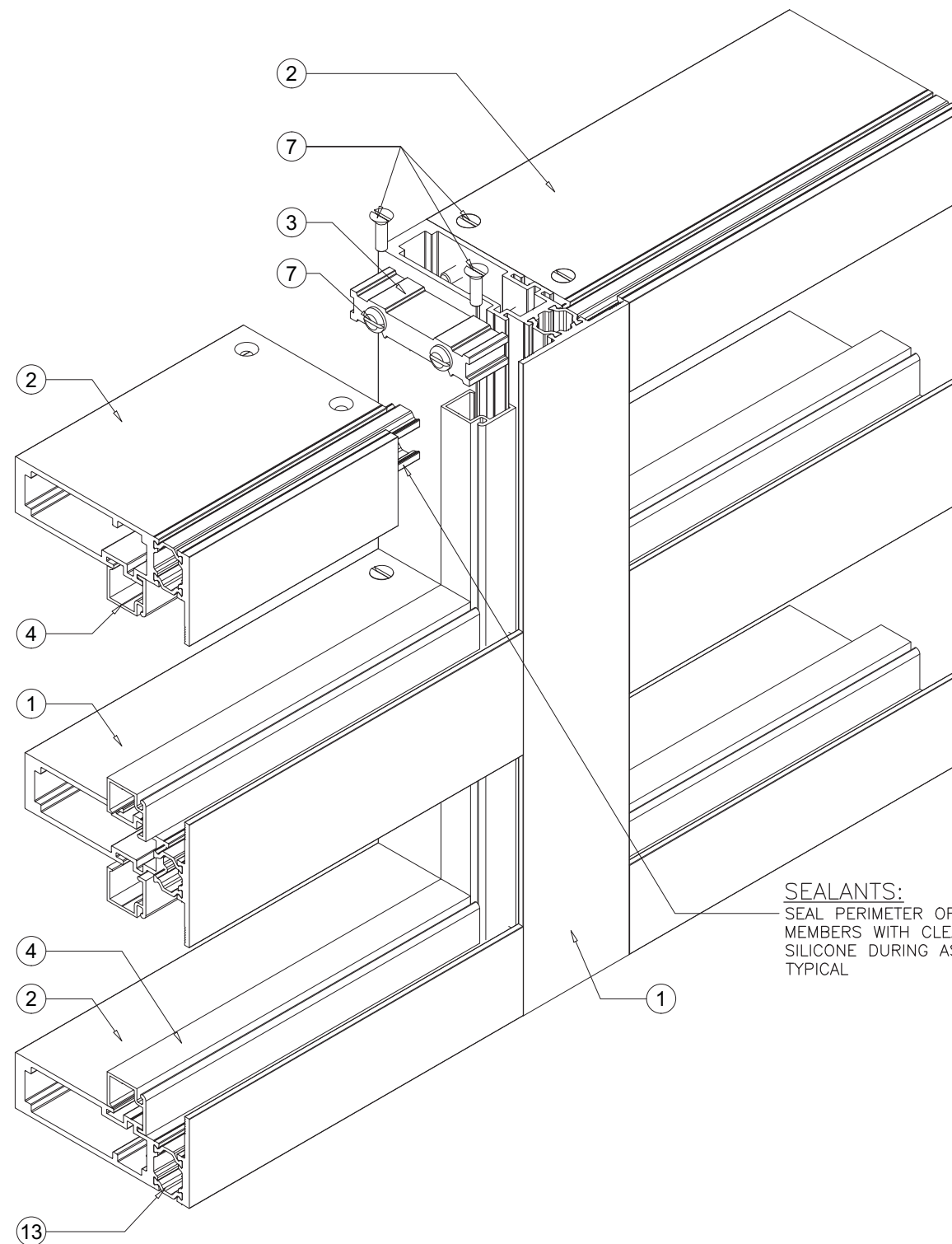
⑩ H62G - SETTING BLOCK FOR 9/16" GLASS



⑪ H62J - SETTING BLOCK FOR 1 5/16" GLASS



⑬ POLYAMIDE THERMAL ISOLATOR



FRAME CORNERS ISOMETRIC

SEALANTS:
SEAL PERIMETER OF MATING
MEMBERS WITH CLEAR
SILICONE DURING ASSEMBLY
TYPICAL

Trulite
GLASS & ALUMINUM SOLUTIONS™

http://www.trulite.com

800 FAIRWAY DRIVE, Suite 200
DEERFIELD BEACH, FL 33441
p. 800-432-8132 | f. 954-724-2083

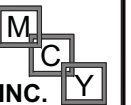
PRODUCT:

Resistor
Series 3200
ALUMINUM THERMAL
STOREFRONT
WALL - LMI

Resistor
PRODUCT SERIES

REVN	DATE/REMARKS
Rev. 1	3.14.14 UPDATE TO 2010 FBC
Rev. 2	6.16.15 UPDATE TO 2014 FBC

ENGINEER:



MCY ENGINEERING, INC.
GLAZING CONSULTANT

8501 SW 124 Ave. Ste. 205A
MIAMI, FL 33183
P: (305) 271-0117
Email: MCY.Engineering@att.net
www.MCYEngineering.com

STAMP:



July 9th, 2015

FLORIDA APPROVAL:

FL #17879

DRAWN: F.C.

DATE: 10-11-11

DWG: AD11-23

DRAWING No:

8 OF 8