

PRODUCT:

Resistor 3300

STOREFRONT WALL
(LARGE AND SMALL
MISSILE IMPACT)

Resistor
PRODUCT SERIES

REVN	DATE/REMARKS

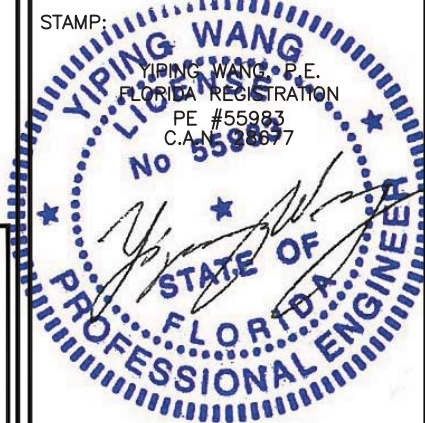
ENGINEER:



MCY ENGINEERING, INC.
GLAZING CONSULTANT

8501 SW 124th Ave, Ste. 205A
MIAMI, FL 33183
P: 305-271-0117 F: 305-573-5063
Email: MCY.Engineering@att.net
www.MCYEngineering.com

STAMP:



March 24th, 2015

FLORIDA PRODUCT APPROVAL:

FL #17586

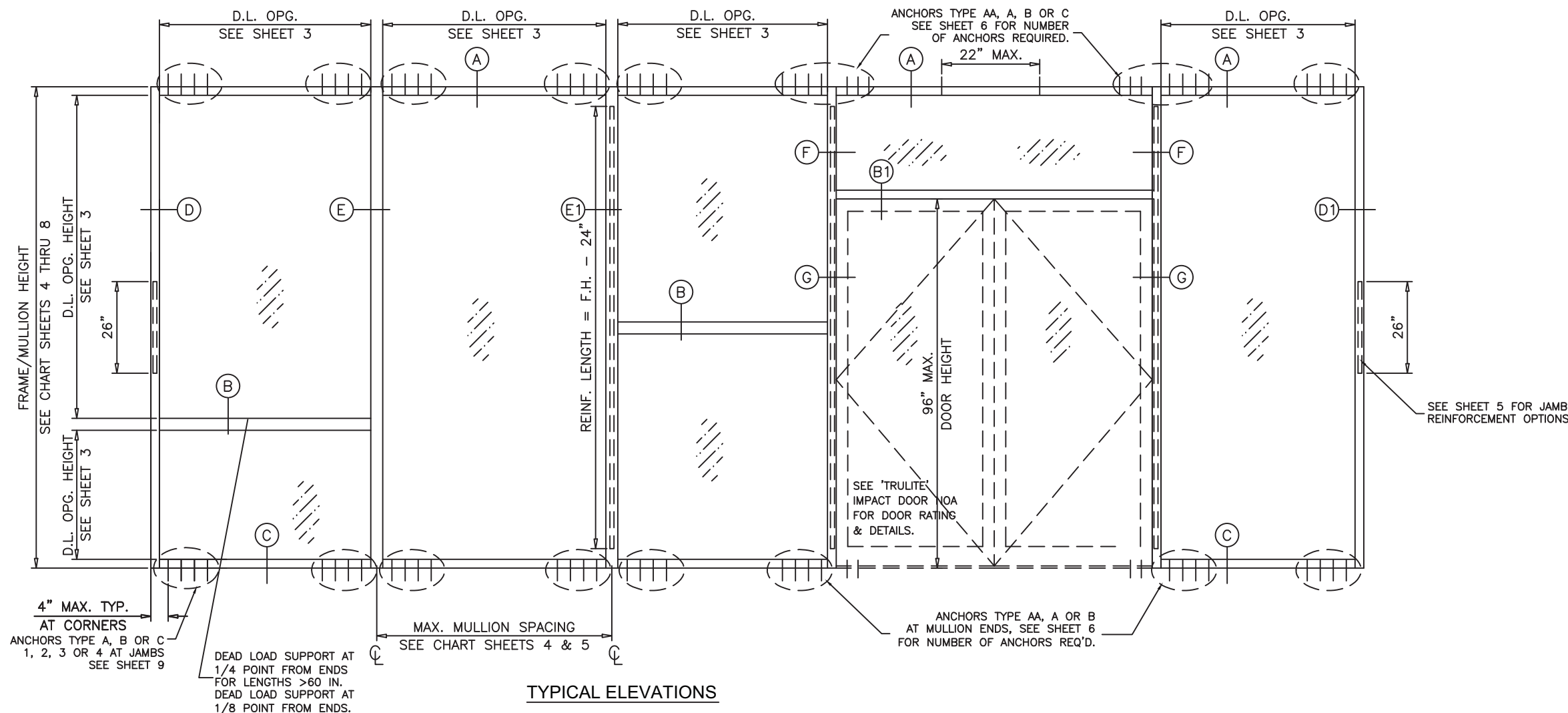
DRAWN: T.G.

DRAWING No:

DATE: 03-20-15

1 OF 13

DWG: AD15-20



SERIES 3300 ALUMINUM WINDOW WALL SYSTEM

- THIS PRODUCT HAS BEEN DESIGNED AND TESTED TO COMPLY WITH THE REQUIREMENTS OF THE FLORIDA BUILDING CODE 2014.
- WINDOW WALL SYSTEM IS RATED FOR LARGE & SMALL MISSILE IMPACT. SHUTTERS ARE NOT REQUIRED.
- ULTIMATE DESIGN LOAD OBTAINED FROM ASCE 7-10, MULTIPLY BY 0.6, SHALL BE LESS THAN OR EQUAL TO MAX. DESIGN LOAD IN THE DOCUMENT.
- THIS SYSTEM MAY BE USED IN CONJUNCTION WITH MIAMI DADE COUNTY APPROVED ENTRANCE DOORS.
- WOOD BUCKS BY OTHERS, MUST BE ANCHORED PROPERLY TO TRANSFER LOADS TO THE STRUCTURE.
- ANCHORS SHALL BE AS LISTED, SPACED AS SHOWN ON DETAILS, ANCHORS EMBEDMENT TO BASE MATERIAL SHALL BE BEYOND WALL DRESSING OR STUCCO.
- ANCHORING OR LOADING CONDITIONS NOT SHOWN IN THESE DETAILS ARE NOT PART OF THIS APPROVAL.
- A LOAD DURATION INCREASE IS USED IN DESIGN OF ANCHORS INTO WOOD ONLY.
- MATERIALS INCLUDING BUT NOT LIMITED TO STEEL/METAL SCREWS, THAT COME INTO CONTACT WITH OTHER DISSIMILAR MATERIALS SHALL MEET THE REQUIREMENTS OF 2014 FLORIDA BLDG. CODE.
- CODE REQUIREMENTS FOR SAFEGUARDS MUST BE OBSERVED.

INSTRUCTIONS:

USE CHARTS AS FOLLOWS.

- STEP 1:** DETERMINE DESIGN WIND LOAD REQUIREMENTS BASED ON WIND VELOCITY, BLDG. HEIGHT, WIND ZONE USING APPLICABLE ASCE 10 STANDARD.
- STEP 2:** SEE CHARTS ON SHEET 3 FOR DESIGN LOAD CAPACITY OF DESIRED GLASS SIZE BASED ON APPLICABLE WIND DURATION.
- STEP 3:** CHECK MULLION AND JAMB CAPACITY FOR A GIVEN SPACING AND HEIGHT USING CHARTS ON SHEET 4 THRU 7. THE CAPACITY SHOULD EXCEED THE DESIGN LOAD.
- STEP 4:** USING CHART ON SHEETS 8 & 9 SELECT ANCHOR OPTION WITH DESIGN RATING MORE THAN DESIGN LOAD SPECIFIED IN STEP 1 ABOVE.
- STEP 5:** THE LOWEST VALUE RESULTING FROM STEPS 2, 3 AND 4 SHALL APPLY TO ENTIRE SYSTEM.

LIMITATIONS OF USE

- A- THIS PRODUCT EVALUATION DOCUMENT (P.E.D.) PREPARED BY THIS ENGINEER IS GENERIC AND DOES NOT PROVIDE INFORMATION FOR A SITE SPECIFIC PROJECT; i.e. WHERE THE SITE CONDITIONS DEVIATE FROM THE P.E.D.
- B- CONTRACTOR TO BE RESPONSIBLE FOR THE SELECTION, PURCHASE AND INSTALLATION OF THIS PRODUCT BASED ON THIS PRODUCT EVALUATION PROVIDED HE/SHE DOES NOT DEVIATE FROM THE CONDITIONS DETAILED ON THIS DOCUMENT.
- C- THIS PRODUCT EVALUATION DOCUMENT WILL BE CONSIDERED INVALID IF ALTERED BY ANY MEANS.
- D- SITE SPECIFIC PROJECTS SHALL BE PREPARED BY A FLORIDA REGISTERED ENGINEER OR ARCHITECT WHICH WILL BECOME THE ENGINEER OF RECORD (E.O.R.) FOR THE PROJECT AND WHO WILL BE RESPONSIBLE FOR THE PROPER USE OF THE P.E.D.
- E- THIS P.E.D. SHALL BEAR THE DATE AND ORIGINAL SEAL AND SIGNATURE OF THE PROFESSIONAL ENGINEER OF RECORD THAT PREPARED IT.

PRODUCT:

Resistor 3300

STOREFRONT WALL
(LARGE AND SMALL
MISSILE IMPACT)

Resistor PRODUCT SERIES

REVN	DATE/REMARKS

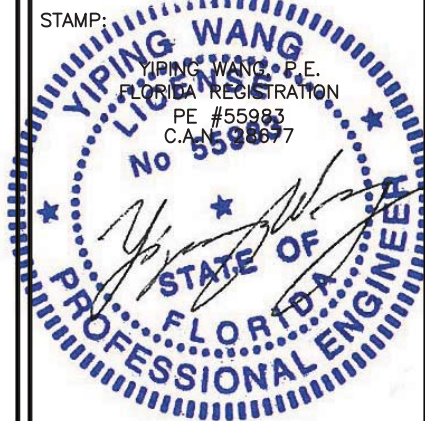
ENGINEER:



MCY ENGINEERING, INC.
GLAZING CONSULTANT

8501 SW 124th Ave, Ste. 205A
MIAMI, FL 33183
P: 305-271-0117 F: 305-573-5063
Email: MCY.Engineering@att.net
www.MCYEngineering.com

STAMP:



March 24th, 2015

FLORIDA PRODUCT APPROVAL:

FL #17586

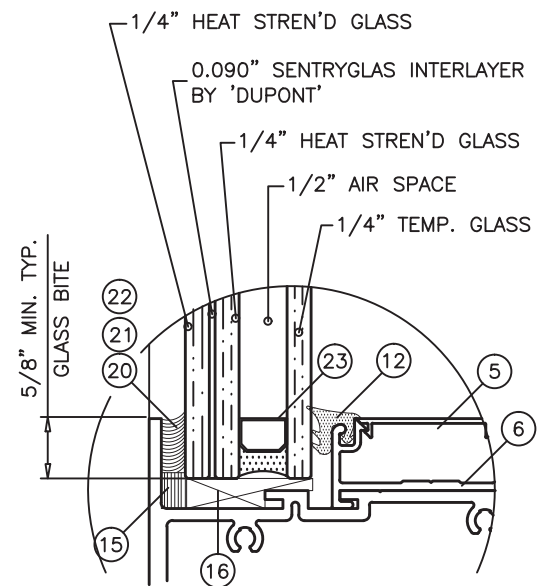
DRAWN: T.G.

DATE: 03-20-15

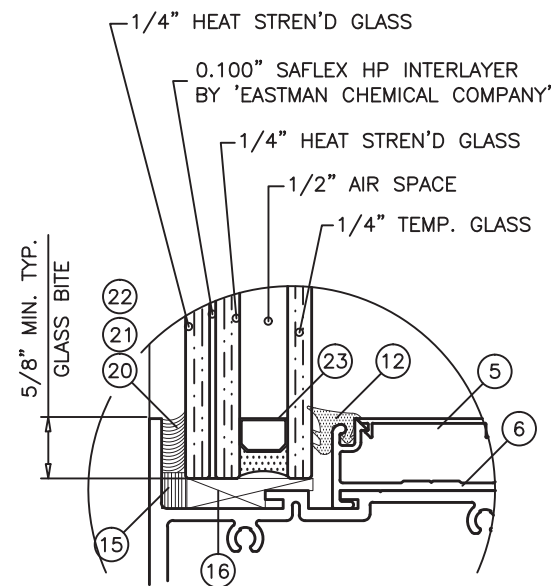
DWG: AD15-20

DRAWING No:

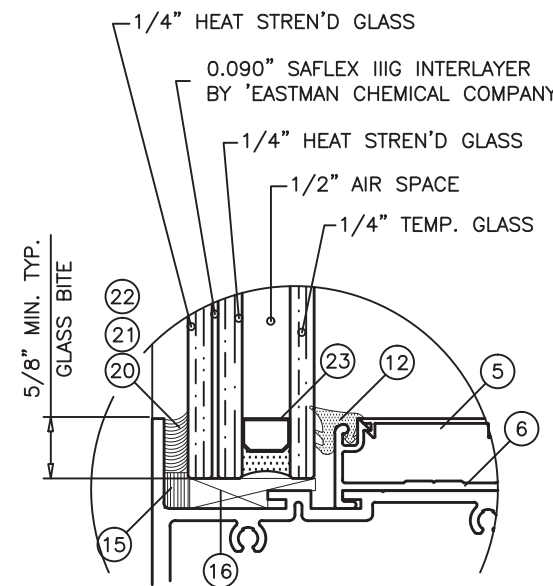
2 OF 13



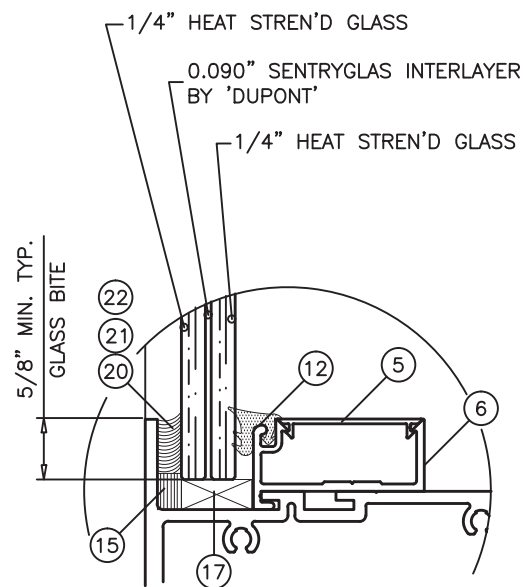
GLASS TYPE 'G1'
1-5/16" NOMINAL OVERALL



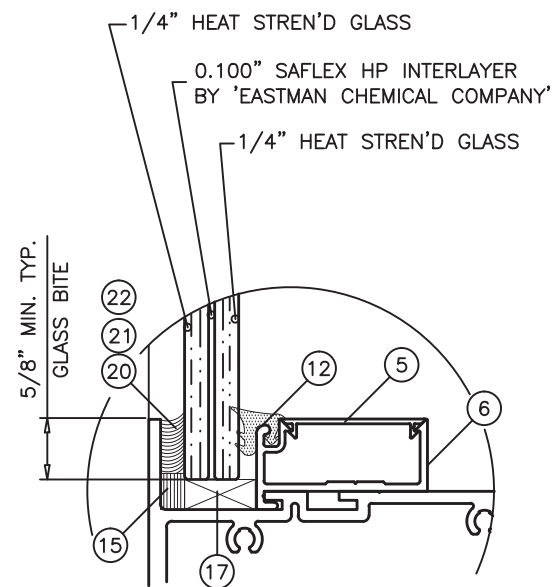
GLASS TYPE 'G2'
1-5/16" NOMINAL OVERALL



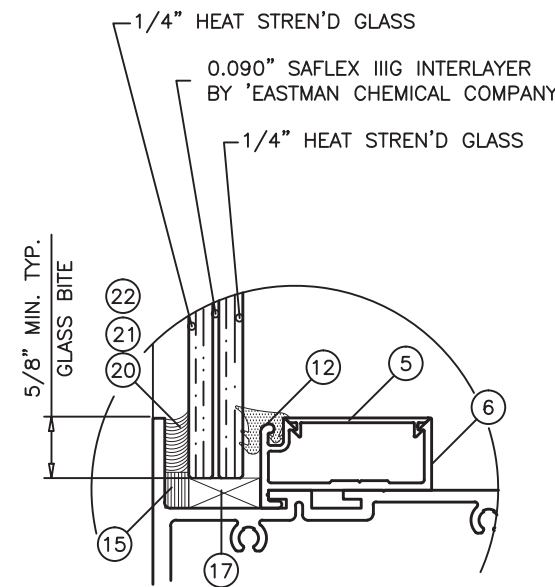
GLASS TYPE 'G3'
1-5/16" NOMINAL OVERALL



GLASS TYPE 'G4'
9/16" NOMINAL OVERALL



GLASS TYPE 'G5'
9/16" NOMINAL OVERALL



GLASS TYPE 'G6'
9/16" NOMINAL OVERALL

SEE SHEET 3 FOR D.L.O. WIDTHS AND HEIGHTS. V.S. DESIGN LOADS.

SILICONE OPTIONS:

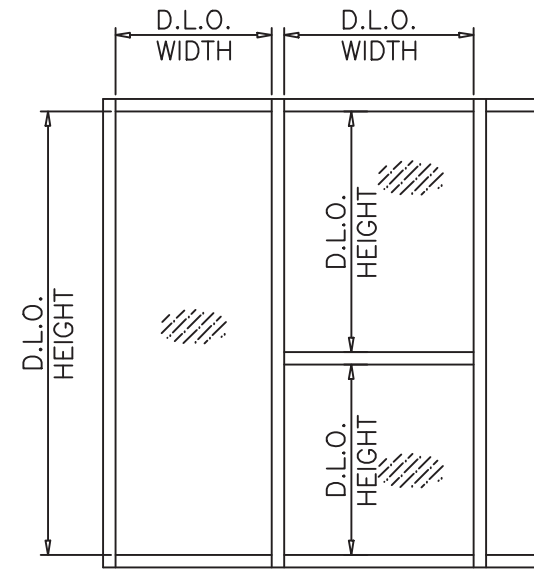
- ⓪ - DOW CORNING 995
- Ⓛ - TREMCO PROGLAZE SSG
- Ⓜ - SIKA SIKASIL SG-10

GLAZING OPTION

GLASS LOAD CAPACITY - PSF					
NOMINAL DIMS.		GLASS TYPES			
		G1	G2&G3	G4,G5&G6	
D.L.O. WIDTH	D.L.O. HEIGHT	EXT.(+) INT.(-)	EXT.(+) INT.(-)	EXT.(+) INT.(-)	
26.75"	67"	94.0	75.0	80.0	
32.75"		94.0	75.0	80.0	
38.75"		94.0	75.0	80.0	
44.75"		94.0	75.0	80.0	
50.75"		94.0	75.0	80.0	
56.75"		94.0	-	80.0	
62.75"		94.0	-	80.0	
68.75"		94.0	-	80.0	
72.75"		94.0	-	80.0	
74.75"		94.0	-	80.0	
26.75"	73"	94.0	75.0	80.0	
32.75"		94.0	75.0	80.0	
38.75"		94.0	75.0	80.0	
44.75"		94.0	75.0	80.0	
50.75"		94.0	75.0	80.0	
56.75"		94.0	-	80.0	
62.75"		94.0	-	80.0	
68.75"		94.0	-	80.0	
72"		94.0	-	80.0	
26.75"		79"	94.0	75.0	80.0
32.75"	94.0		75.0	80.0	
38.75"	94.0		75.0	80.0	
44.75"	94.0		75.0	80.0	
50.75"	94.0		-	80.0	
56.75"	94.0		-	80.0	
62.75"	94.0		-	80.0	
68.75"	94.0		-	80.0	
68.75"	94.0		-	-	
26.75"	85"		94.0	75.0	80.0
32.75"		94.0	75.0	80.0	
38.75"		94.0	75.0	80.0	
44.75"		94.0	-	80.0	
50.75"		94.0	-	80.0	
56.75"		94.0	-	80.0	
62.75"		94.0	-	-	
63.5"		94.0	-	-	
26.75"		91"	94.0	75.0	80.0
32.75"			94.0	75.0	80.0
38.75"	94.0		75.0	80.0	
44.75"	94.0		-	80.0	
50.75"	94.0		-	80.0	
56.75"	94.0		-	80.0	
60"	94.0	-	-		

GLASS LOAD CAPACITY - PSF				
NOMINAL DIMS.		GLASS TYPES		
		G1	G2&G3	G4,G5&G6
D.L.O. WIDTH	D.L.O. HEIGHT	EXT.(+) INT.(-)	EXT.(+) INT.(-)	EXT.(+) INT.(-)
26.75"	97"	94.0	75.0	80.0
32.75"		94.0	75.0	80.0
38.75"		94.0	-	80.0
44.75"		94.0	-	80.0
50.75"		94.0	-	80.0
56"		94.0	-	-
26.75"	103"	94.0	75.0	80.0
32.75"		94.0	75.0	80.0
38.75"		94.0	-	80.0
44.75"		94.0	-	80.0
50.75"		94.0	-	80.0
53"		94.0	-	-
26.75"	109"	94.0	75.0	80.0
32.75"		94.0	75.0	80.0
38.75"		94.0	-	80.0
44.75"		94.0	-	80.0
50"		94.0	-	-
26.75"		115"	94.0	75.0
32.75"	94.0		-	80.0
38.75"	94.0		-	80.0
44.75"	94.0		-	80.0
47.5"	94.0		-	-
26.75"	121"	94.0	75.0	80.0
32.75"		94.0	-	80.0
38.75"		94.0	-	80.0
44.5"		94.0	-	-

NOTE:
GLASS CAPACITIES ON THIS SHEET ARE
BASED ON ASTM E1300/09 (3 SEC. GUSTS)



Trulite
GLASS & ALUMINUM SOLUTIONS™
http://www.trulite.com
800 FAIRWAY DRIVE, Suite 200
DEERFIELD BEACH, FL 33441
p. 800-432-8132 | f. 954-724-2083

PRODUCT:
Resistor 3300
STOREFRONT WALL
(LARGE AND SMALL MISSILE IMPACT)
Resistor
PRODUCT SERIES

REVN	DATE/REMARKS

ENGINEER:
MCY ENGINEERING, INC.
GLAZING CONSULTANT
8501 SW 124th Ave, Ste. 205A
MIAMI, FL 33183
P: 305-271-0117 F: 305-573-5063
Email: MCY.Engineering@att.net
www.MCYEngineering.com

STAMP:
YIPING WANG
YIPING WANG, P.E.
FLORIDA REGISTRATION
PE #55983
C.A.N. #55983
No 55983
STATE OF FLORIDA
PROFESSIONAL ENGINEER
March 24th, 2015

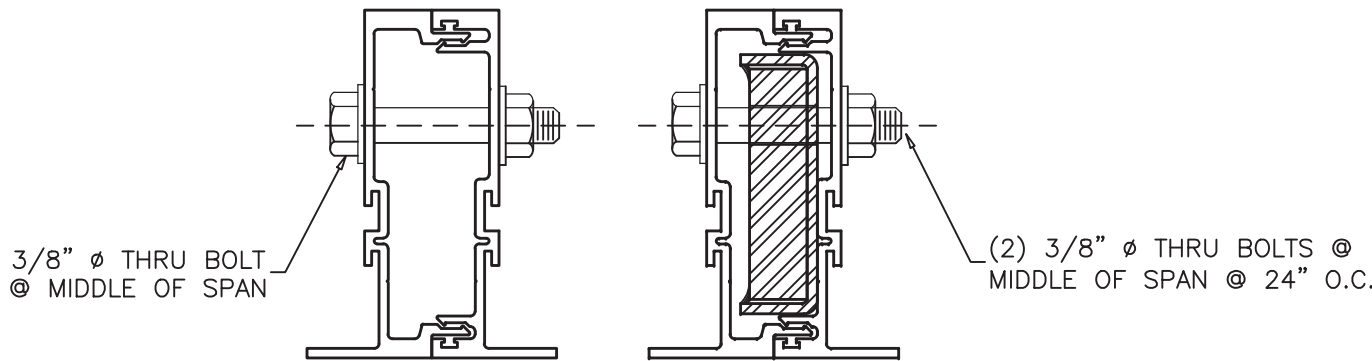
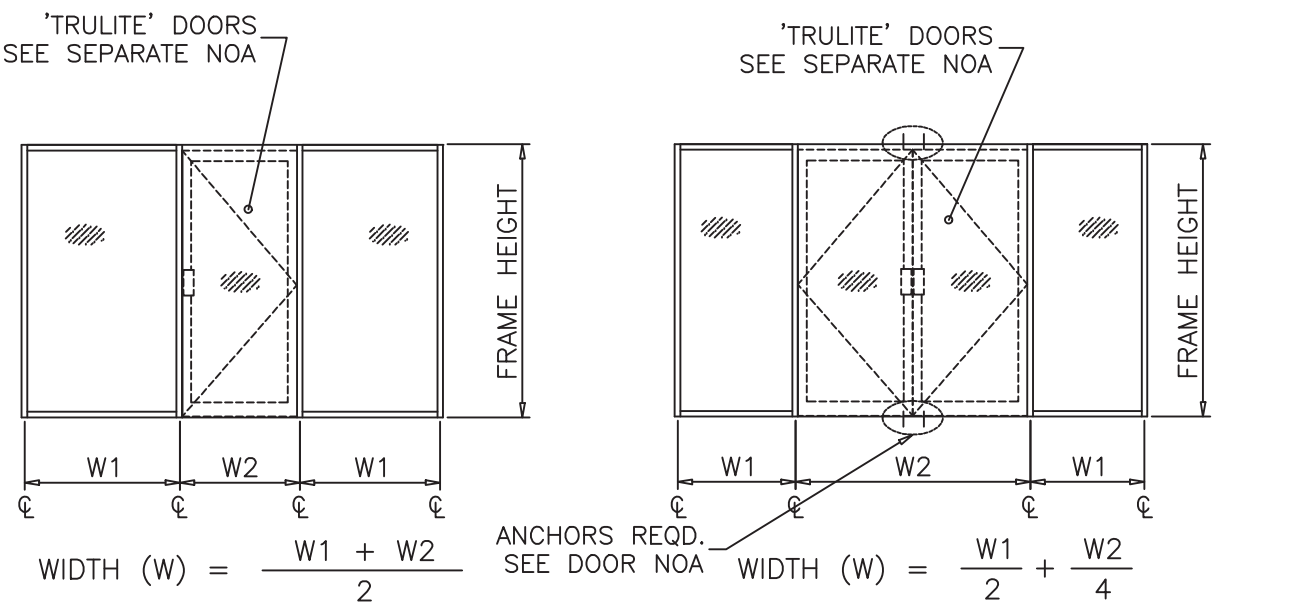
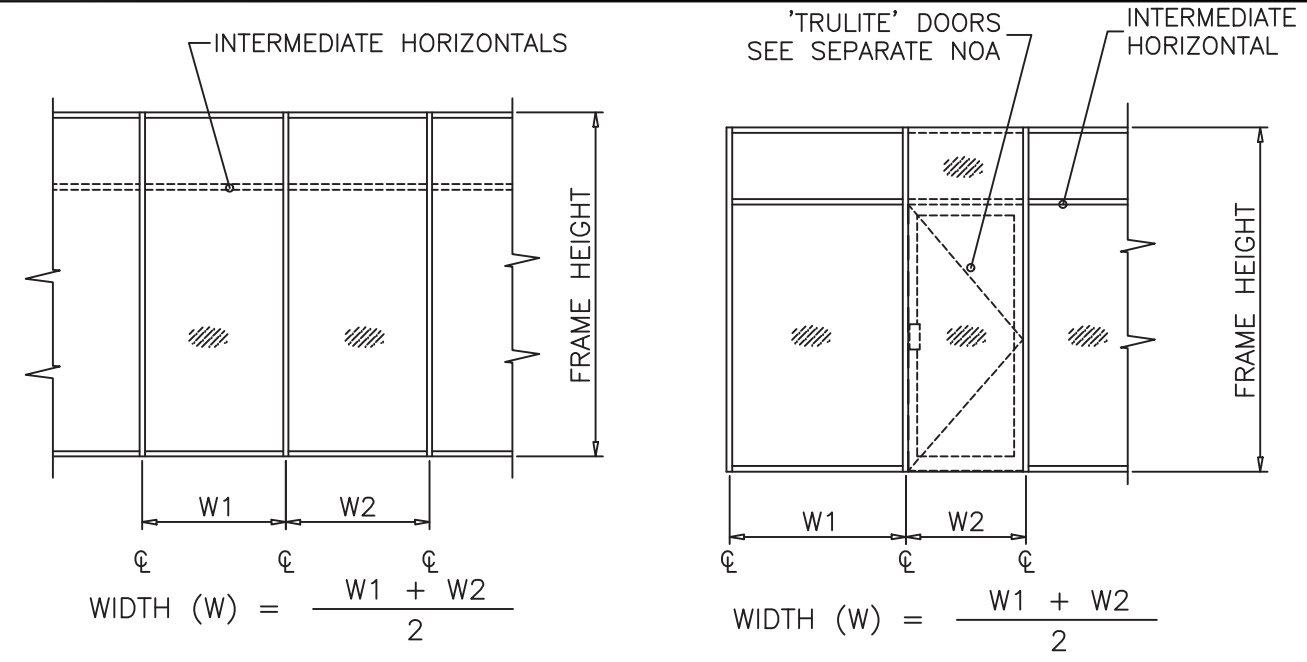
FLORIDA PRODUCT APPROVAL:
FL #17586

DRAWN: T.G.	DRAWING No:
DATE:03-20-15	3 OF 13
DWG:AD15-20	

STEP 2: GLASS LOAD TABLES

MULLION LOAD CAPACITY - PSF			
NOMINAL DIMS.		MULLION 'M1'	MULLION 'M2'
WIDTH (W)	FRAME HEIGHT	EXT. (+) INT. (-)	EXT. (+) INT. (-)
30"	72"	80.0	94.0
36"		80.0	94.0
42"		80.0	94.0
48"		80.0	94.0
54"		80.0	94.0
60"		80.0	94.0
66"		80.0	94.0
72"		80.0	94.0
30"	78"	80.0	94.0
36"		80.0	94.0
42"		80.0	94.0
48"		80.0	94.0
54"		80.0	94.0
60"		80.0	94.0
66"		80.0	94.0
72"		80.0	94.0
30"	84"	80.0	94.0
36"		80.0	94.0
42"		80.0	94.0
48"		80.0	94.0
54"		80.0	94.0
60"		80.0	94.0
66"		80.0	94.0
72"		-	94.0
30"	90"	80.0	94.0
36"		80.0	94.0
42"		80.0	94.0
48"		80.0	94.0
54"		80.0	94.0
60"		80.0	94.0
66"		-	94.0
72"		-	75.0
30"	96"	80.0	94.0
36"		80.0	94.0
42"		80.0	94.0
48"		80.0	94.0
54"		80.0	94.0
60"		79.6	94.0
66"		-	75.0
72"		-	75.0

MULLION LOAD CAPACITY - PSF			
NOMINAL DIMS.		MULLION 'M1'	MULLION 'M2'
WIDTH (W)	FRAME HEIGHT	EXT. (+) INT. (-)	EXT. (+) INT. (-)
30"	102"	-	94.0
36"		-	94.0
42"		-	94.0
48"		-	94.0
54"		-	94.0
60"		-	75.0
66"		-	75.0
72"		-	72.1
30"	108"	-	94.0
36"		-	94.0
42"		-	94.0
48"		-	94.0
54"		-	94.0
60"		-	75.0
66"		-	74.2
72"		-	94.0
30"	114"	-	94.0
36"		-	94.0
42"		-	94.0
48"		-	94.0
54"		-	75.0
60"		-	75.0
66"		-	70.3
72"		-	94.0
30"	120"	-	94.0
36"		-	94.0
42"		-	94.0
48"		-	94.0
54"		-	75.0
60"		-	73.5
66"		-	94.0
72"		-	94.0
30"	126"	-	94.0
36"		-	94.0
42"		-	94.0
48"		-	92.4
54"		-	75.0
60"		-	68.8
66"		-	94.0
72"		-	94.0



	Ix IN^4	Sx IN^3
ALUM	6.8747	2.8384

	Ix IN^4	Sx IN^3
ALUM	6.8747	2.8384
STL	2.6102	1.5468
TOTAL	14.4443	(IN ALUM.)

STEP 3: MULLION LOAD CAPACITIES

Trulite
GLASS & ALUMINUM SOLUTIONS™
http://www.trulite.com
800 FAIRWAY DRIVE, Suite 200
DEERFIELD BEACH, FL 33441
p. 800-432-8132 | f. 954-724-2083

PRODUCT:
Resistor 3300
STOREFRONT WALL
(LARGE AND SMALL MISSILE IMPACT)
Resistor
PRODUCT SERIES

REVN	DATE/REMARKS

ENGINEER:
MCY ENGINEERING, INC.
GLAZING CONSULTANT
8501 SW 124th Ave, Ste. 205A
MIAMI, FL 33183
P: 305-271-0117 F: 305-573-5063
Email: MCY.Engineering@att.net
www.MCYEngineering.com

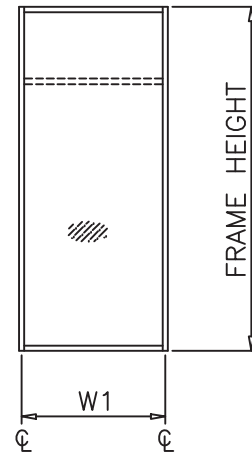
STAMP:
YIPING WANG
YIPING WANG, P.E.
FLORIDA REGISTRATION
PE #55983
C.A.#1867
No 55983
STATE OF FLORIDA
PROFESSIONAL ENGINEER
March 24th, 2015

FLORIDA PRODUCT APPROVAL:
FL #17586

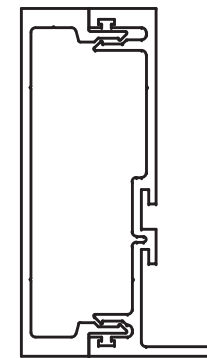
DRAWN: T.G.	DRAWING No:
DATE:03-20-15	4 OF 13
DWG:AD15-20	

JAMB/MULLION LOAD CAPACITY - PSF			
NOMINAL DIMS.		JAMB 'J1'	JAMB 'J2'
WIDTH (W)	FRAME HEIGHT	EXT. (+) INT. (-)	EXT. (+) INT. (-)
30"	72"	94.0	94.0
36"		94.0	94.0
42"		94.0	94.0
48"		94.0	94.0
54"		94.0	94.0
60"		94.0	94.0
66"		94.0	94.0
72"	94.0	94.0	
30"	78"	94.0	94.0
36"		94.0	94.0
42"		94.0	94.0
48"		94.0	94.0
54"		94.0	94.0
60"		94.0	94.0
66"		94.0	94.0
72"	94.0	94.0	
30"	84"	94.0	94.0
36"		94.0	94.0
42"		94.0	94.0
48"		94.0	94.0
54"		94.0	94.0
60"		94.0	94.0
66"		94.0	94.0
72"	-	94.0	
30"	90"	-	94.0
36"		-	94.0
42"		-	94.0
48"		-	94.0
54"		-	94.0
60"		-	94.0
66"		-	94.0
30"	96"	-	94.0
36"		-	94.0
42"		-	94.0
48"		-	94.0
60"		-	94.0

JAMB/MULLION LOAD CAPACITY - PSF			
NOMINAL DIMS.		JAMB 'J1'	JAMB 'J2'
WIDTH (W)	FRAME HEIGHT	EXT. (+) INT. (-)	EXT. (+) INT. (-)
30"	102"	94.0	94.0
36"		94.0	94.0
42"		94.0	94.0
48"		94.0	94.0
54"		94.0	94.0
30"	108"	94.0	94.0
36"		94.0	94.0
42"		94.0	94.0
48"		94.0	94.0
54"		94.0	94.0
30"	114"	94.0	94.0
36"		94.0	94.0
42"		94.0	94.0
48"		94.0	94.0
54"		94.0	94.0
30"	120"	94.0	94.0
36"		94.0	94.0
42"		94.0	94.0
48"		94.0	94.0
30"	126"	94.0	94.0
36"		94.0	94.0
42"		94.0	94.0
48"		94.0	94.0
48"		83.5	94.0

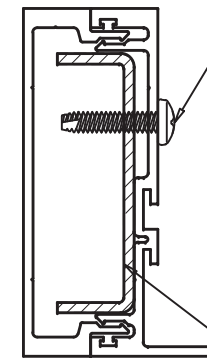


WIDTH (W) = W1 (JAMB)



JAMB 'J1'

	Ix IN ⁴	Sx IN ³
ALUM	6.5248	2.7278



JAMB 'J2'
STEEL REINFORCED

	Ix IN ⁴	Sx IN ³
ALUM	6.5248	2.7278
STL.	0.9227	0.5468
TOTAL	9.2006	(IN ALUM.)

(2) #12-24 X 3/8" PPH MS.
@ 24" O.C.

REINF. LENGTH = 26"

STEP 3: JAMB LOAD CAPACITIES

Trulite
GLASS & ALUMINUM SOLUTIONS™

http://www.trulite.com

800 FAIRWAY DRIVE, Suite 200
DEERFIELD BEACH, FL 33441
p. 800-432-8132 | f. 954-724-2083

PRODUCT:

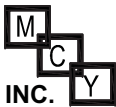
**Resistor
3300**

STOREFRONT WALL
(LARGE AND SMALL
MISSILE IMPACT)

Resistor
PRODUCT SERIES

REVN DATE/REMARKS

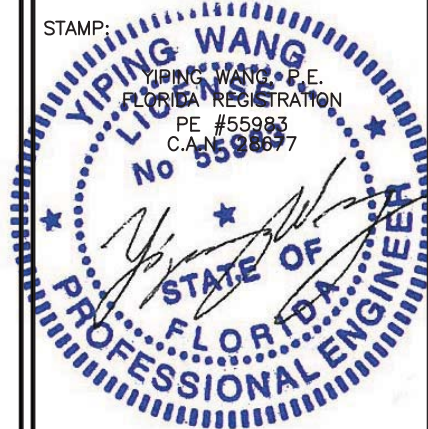
ENGINEER:



MCY ENGINEERING, INC.
GLAZING CONSULTANT

8501 SW 124th Ave, Ste. 205A
MIAMI, FL 33183
P: 305-271-0117 F: 305-573-5063
Email: MCY.Engineering@att.net
www.MCYEngineering.com

STAMP:



March 24th, 2015

FLORIDA PRODUCT APPROVAL:

FL #17586

DRAWN: T.G.

DRAWING No:

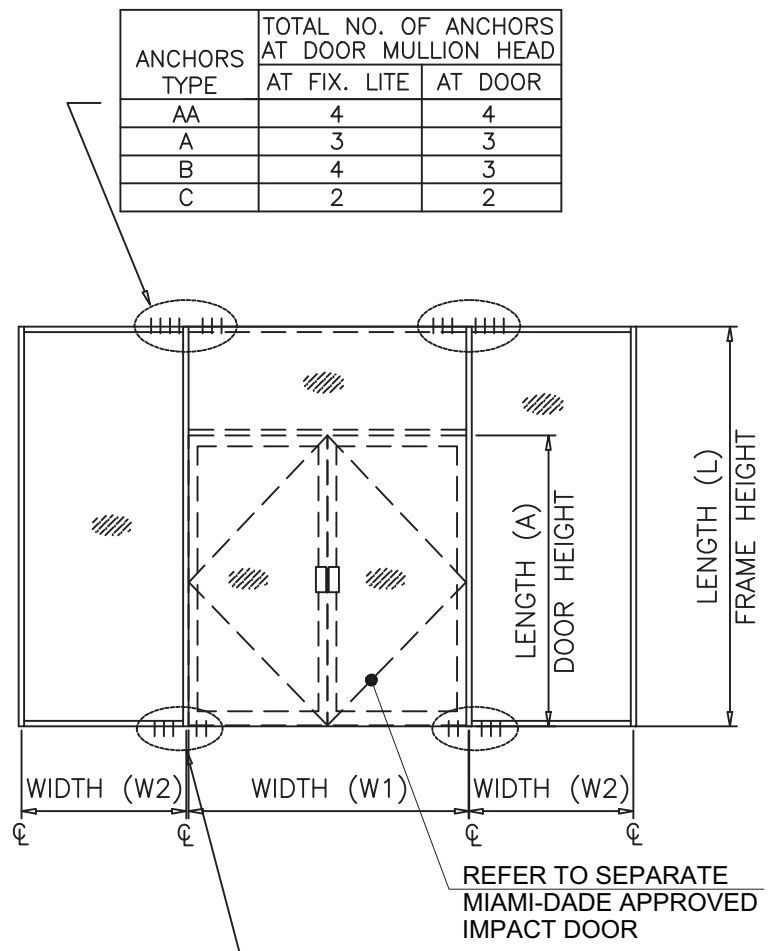
DATE:03-20-15

5 OF 13

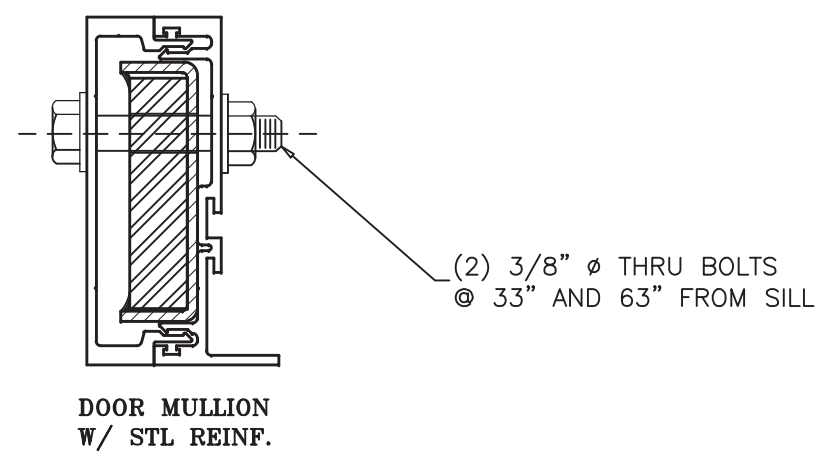
DWG:AD15-20

DOOR MULLION LOAD CAPACITY - PSF AT DOUBLE DOOR WITH TRANSOM				
NOMINAL DIMS.				WITH REINFORCING
WIDTH (W1)	WIDTH (W2)	LENGTH (A)	LENGTH (L)	EXT.(+) INT.(-)
60"	24"	84"	108"	75.0
	30"			75.0
	36"			75.0
	42"			75.0
	48"			75.0
	54"			75.0
66"	24"	84"	108"	75.0
	30"			75.0
	36"			75.0
	42"			75.0
	48"			75.0
	54"			75.0
72"	24"	84"	108"	75.0
	30"			75.0
	36"			75.0
	42"			75.0
	48"			75.0
	54"			75.0
60"	24"	84"	114"	75.0
	30"			75.0
	36"			75.0
	42"			75.0
	48"			75.0
	54"			75.0
66"	24"	84"	114"	75.0
	30"			75.0
	36"			75.0
	42"			75.0
	48"			75.0
	54"			75.0
72"	24"	84"	114"	75.0
	30"			75.0
	36"			75.0
	42"			75.0
	48"			75.0
	54"			75.0
60"	24"	84"	120"	75.0
	30"			75.0
	36"			75.0
	42"			75.0
	48"			75.0
	54"			75.0
66"	24"	84"	120"	75.0
	30"			75.0
	36"			75.0
	42"			75.0
	48"			75.0
	54"			75.0
72"	24"	84"	120"	75.0
	30"			75.0
	36"			75.0
	42"			75.0
	48"			75.0
	54"			75.0
60"	24"	84"	126"	75.0
	30"			75.0
	36"			75.0
	42"			75.0
	48"			75.0
	54"			75.0
66"	24"	84"	126"	75.0
	30"			75.0
	36"			75.0
	42"			75.0
	48"			75.0
	54"			75.0
72"	24"	84"	126"	75.0
	30"			75.0
	36"			75.0
	42"			75.0
	48"			75.0
	54"			75.0
60"	24"	84"	108"	73.0
	30"			73.0
	36"			73.0
	42"			73.0
	48"			73.0
	54"			73.0
66"	24"	84"	108"	73.0
	30"			73.0
	36"			73.0
	42"			73.0
	48"			73.0
	54"			73.0
72"	24"	84"	108"	73.0
	30"			73.0
	36"			73.0
	42"			73.0
	48"			73.0
	54"			73.0
60"	24"	84"	114"	73.0
	30"			73.0
	36"			73.0
	42"			73.0
	48"			73.0
	54"			73.0
66"	24"	84"	114"	73.0
	30"			73.0
	36"			73.0
	42"			73.0
	48"			73.0
	54"			73.0
72"	24"	84"	114"	73.0
	30"			73.0
	36"			73.0
	42"			73.0
	48"			73.0
	54"			73.0
60"	24"	84"	120"	74.0
	30"			74.0
	36"			74.0
	42"			74.0
	48"			74.0
	54"			74.0
66"	24"	84"	120"	74.0
	30"			74.0
	36"			74.0
	42"			74.0
	48"			74.0
	54"			74.0
72"	24"	84"	120"	74.0
	30"			74.0
	36"			74.0
	42"			74.0
	48"			74.0
	54"			74.0
60"	24"	84"	126"	69.0
	30"			69.0
	36"			69.0
	42"			69.0
	48"			69.0
	54"			69.0
66"	24"	84"	126"	71.0
	30"			71.0
	36"			71.0
	42"			71.0
	48"			71.0
	54"			71.0
72"	24"	84"	126"	71.0
	30"			71.0
	36"			71.0
	42"			71.0
	48"			71.0
	54"			71.0
60"	24"	84"	108"	70.0
	30"			70.0
	36"			70.0
	42"			70.0
	48"			70.0
	54"			70.0
66"	24"	84"	108"	70.0
	30"			70.0
	36"			70.0
	42"			70.0
	48"			70.0
	54"			70.0
72"	24"	84"	108"	70.0
	30"			70.0
	36"			70.0
	42"			70.0
	48"			70.0
	54"			70.0

DOOR MULLION LOAD CAPACITY - PSF AT DOUBLE DOOR WITH TRANSOM				
NOMINAL DIMS.				WITH REINFORCING
WIDTH (W1)	WIDTH (W2)	LENGTH (A)	LENGTH (L)	EXT.(+) INT.(-)
60"	24"	84"	120"	75.0
	30"			75.0
	36"			75.0
	42"			75.0
	48"			75.0
	54"			75.0
66"	24"	84"	120"	75.0
	30"			75.0
	36"			75.0
	42"			75.0
	48"			75.0
	54"			75.0
72"	24"	84"	120"	75.0
	30"			75.0
	36"			75.0
	42"			75.0
	48"			75.0
	54"			75.0
60"	24"	84"	126"	75.0
	30"			75.0
	36"			75.0
	42"			75.0
	48"			75.0
	54"			75.0
66"	24"	84"	126"	75.0
	30"			75.0
	36"			75.0
	42"			75.0
	48"			75.0
	54"			75.0
72"	24"	84"	126"	75.0
	30"			75.0
	36"			75.0
	42"			75.0
	48"			75.0
	54"			75.0
60"	24"	84"	108"	73.0
	30"			73.0
	36"			73.0
	42"			73.0
	48"			73.0
	54"			73.0
66"	24"	84"	108"	73.0
	30"			73.0
	36"			73.0
	42"			73.0
	48"			73.0
	54"			73.0
72"	24"	84"	108"	73.0
	30"			73.0
	36"			73.0
	42"			73.0
	48"			73.0
	54"			73.0
60"	24"	84"	114"	73.0
	30"			73.0
	36"			73.0
	42"			73.0
	48"			73.0
	54"			73.0
66"	24"	84"	114"	73.0
	30"			73.0
	36"			73.0
	42"			73.0
	48"			73.0
	54"			73.0
72"	24"	84"	114"	73.0
	30"			73.0
	36"			73.0
	42"			73.0
	48"			73.0
	54"			73.0
60"	24"	84"	120"	74.0
	30"			74.0
	36"			74.0
	42"			74.0
	48"			74.0
	54"			74.0
66"	24"	84"	120"	74.0
	30"			74.0
	36"			74.0
	42"			74.0
	48"			74.0
	54"			74.0
72"	24"	84"	120"	74.0
	30"			74.0
	36"			74.0
	42"			74.0
	48"			74.0
	54"			74.0
60"	24"	84"	126"	72.0
	30"			72.0
	36"			72.0
	42"			72.0
	48"			72.0
	54"			72.0
66"	24"	84"	126"	72.0
	30"			72.0
	36"			72.0
	42"			72.0
	48"			72.0
	54"			72.0
72"	24"	84"	126"	72.0
	30"			72.0
	36"			72.0
	42"			72.0
	48"			72.0
	54"			72.0



ANCHORS TYPE	TOTAL NO. OF ANCHORS AT DOOR MULLION SILL	
	AT FIX. LITE	AT DOOR
AA	4	2
A	3	2
B	3	2



	Ix IN^4	Sx IN^3
ALUM	6.5248	2.7278
STL	2.6102	1.5468
TOTAL	14.0944	(IN ALUM.)

STEP 3: DOOR JAMB MULLION LOAD CAPACITIES

Trulite
GLASS & ALUMINUM SOLUTIONS™
http://www.trulite.com
800 FAIRWAY DRIVE, Suite 200
DEERFIELD BEACH, FL 33441
p. 800-432-8132 | f. 954-724-2083

PRODUCT:
Resistor 3300
STOREFRONT WALL (LARGE AND SMALL MISSILE IMPACT)
Resistor
PRODUCT SERIES

REVN	DATE/REMARKS

ENGINEER:
MCY ENGINEERING, INC.
GLAZING CONSULTANT
8501 SW 124th Ave, Ste. 205A
MIAMI, FL 33183
P: 305-271-0117 F: 305-573-5063
Email: MCY.Engineering@att.net
www.MCYEngineering.com

STAMP:
YIPING WANG
YIPING WANG, P.E.
FLORIDA REGISTRATION
PE #55983
C.A.#1567
No 55983
STATE OF FLORIDA
PROFESSIONAL ENGINEER
March 24th, 2015

FLORIDA PRODUCT APPROVAL:
FL #17586

DRAWN: T.G.	DRAWING No:
DATE:03-20-15	6 OF 13
DWG:AD15-20	

DOOR MULLION LOAD CAPACITY – PSF AT DOUBLE DOOR WITH TRANSOM				
NOMINAL DIMS.				WITH REINFORCING
WIDTH (W1)	WIDTH (W2)	LENGTH (A)	LENGTH (L)	EXT.(+) INT.(-)
60"	24"	90"	108"	75.0
	30"			75.0
	36"			75.0
	42"			75.0
	48"			75.0
	54"			75.0
	60"			75.0
66"	24"	90"	108"	75.0
	30"			75.0
	36"			75.0
	42"			75.0
	48"			75.0
	54"			75.0
	60"			75.0
72"	24"	90"	108"	75.0
	30"			75.0
	36"			75.0
	42"			75.0
	48"			75.0
	54"			75.0
	60"			72.0
60"	24"	90"	114"	75.0
	30"			75.0
	36"			75.0
	42"			75.0
	48"			75.0
	54"			75.0
	60"			75.0
66"	24"	90"	114"	75.0
	30"			75.0
	36"			75.0
	42"			75.0
	48"			75.0
	54"			75.0
	60"			72.0
72"	24"	90"	114"	75.0
	30"			75.0
	36"			75.0
	42"			75.0
	48"			75.0
	54"			73.0
	60"			69.0

DOOR MULLION LOAD CAPACITY – PSF AT DOUBLE DOOR WITH TRANSOM				
NOMINAL DIMS.				WITH REINFORCING
WIDTH (W1)	WIDTH (W2)	LENGTH (A)	LENGTH (L)	EXT.(+) INT.(-)
60"	24"	90"	120"	75.0
	30"			75.0
	36"			75.0
	42"			75.0
	48"			75.0
	54"			75.0
	60"			73.0
66"	24"	90"	120"	75.0
	30"			75.0
	36"			75.0
	42"			75.0
	48"			75.0
	54"			73.0
	60"			69.0
72"	24"	90"	120"	75.0
	30"			75.0
	36"			75.0
	42"			75.0
	48"			74.0
	54"			70.0
	60"			75.0
60"	24"	90"	126"	75.0
	30"			75.0
	36"			75.0
	42"			75.0
	48"			75.0
	54"			74.0
	60"			70.0
66"	24"	90"	126"	75.0
	30"			75.0
	36"			75.0
	42"			75.0
	48"			74.0
	54"			70.0
	60"			75.0
72"	24"	90"	126"	75.0
	30"			75.0
	42"			75.0
	48"			71.0

DOOR MULLION LOAD CAPACITY – PSF AT DOUBLE DOOR WITH TRANSOM				
NOMINAL DIMS.				WITH REINFORCING
WIDTH (W1)	WIDTH (W2)	LENGTH (A)	LENGTH (L)	EXT.(+) INT.(-)
60"	24"	96"	108"	75.0
	30"			75.0
	36"			75.0
	42"			75.0
	48"			75.0
	54"			75.0
	60"			75.0
66"	24"	96"	108"	75.0
	30"			75.0
	36"			75.0
	42"			75.0
	48"			75.0
	54"			75.0
	60"			74.0
72"	24"	96"	108"	75.0
	30"			75.0
	36"			75.0
	42"			75.0
	48"			75.0
	54"			74.0
	60"			71.0
60"	24"	96"	114"	75.0
	30"			75.0
	36"			75.0
	42"			75.0
	48"			75.0
	54"			75.0
	60"			75.0
66"	24"	96"	114"	75.0
	30"			75.0
	36"			75.0
	42"			75.0
	48"			75.0
	54"			75.0
	60"			71.0
72"	24"	96"	114"	75.0
	30"			75.0
	36"			75.0
	42"			75.0
	48"			75.0
	54"			71.0
	60"			68.0

DOOR MULLION LOAD CAPACITY – PSF AT DOUBLE DOOR WITH TRANSOM				
NOMINAL DIMS.				WITH REINFORCING
WIDTH (W1)	WIDTH (W2)	LENGTH (A)	LENGTH (L)	EXT.(+) INT.(-)
60"	24"	96"	120"	75.0
	30"			75.0
	36"			75.0
	42"			75.0
	48"			75.0
	54"			75.0
	60"			72.0
66"	24"	96"	120"	75.0
	30"			75.0
	36"			75.0
	42"			75.0
	48"			75.0
	54"			72.0
	60"			68.0
72"	24"	96"	120"	75.0
	30"			75.0
	36"			75.0
	42"			75.0
	48"			72.0
	54"			69.0
	60"			75.0
60"	24"	96"	126"	75.0
	30"			75.0
	36"			75.0
	42"			75.0
	48"			75.0
	54"			73.0
	60"			69.0
66"	24"	96"	126"	75.0
	30"			75.0
	36"			75.0
	42"			75.0
	48"			73.0
	54"			69.0
	60"			75.0
72"	24"	96"	126"	75.0
	30"			75.0
	42"			74.0
	48"			70.0

STEP 3: DOOR JAMB MULLION LOAD CAPACITIES



http://www.trulite.com

800 FAIRWAY DRIVE, Suite 200
DEERFIELD BEACH, FL 33441
p. 800-432-8132 | f. 954-724-2083

PRODUCT:

Resistor 3300

STOREFRONT WALL
(LARGE AND SMALL MISSILE IMPACT)



REVN	DATE/REMARKS

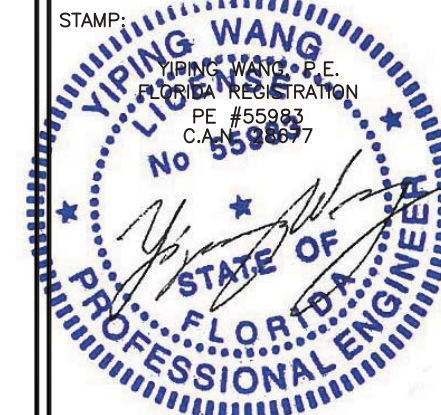
ENGINEER:



MCY ENGINEERING, INC.
GLAZING CONSULTANT

8501 SW 124th Ave, Ste. 205A
MIAMI, FL 33183
P: 305-271-0117 F: 305-573-5063
Email: MCY.Engineering@att.net
www.MCYEngineering.com

STAMP:



March 24th, 2015

FLORIDA PRODUCT APPROVAL:

FL #17586

DRAWN: T.G.

DATE:03-20-15

DWG:AD15-20

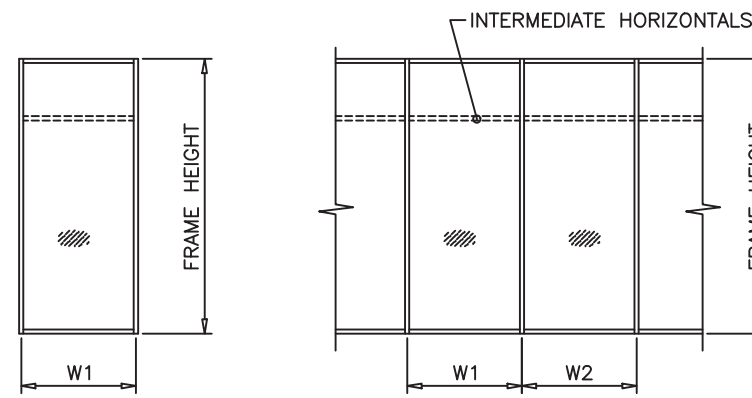
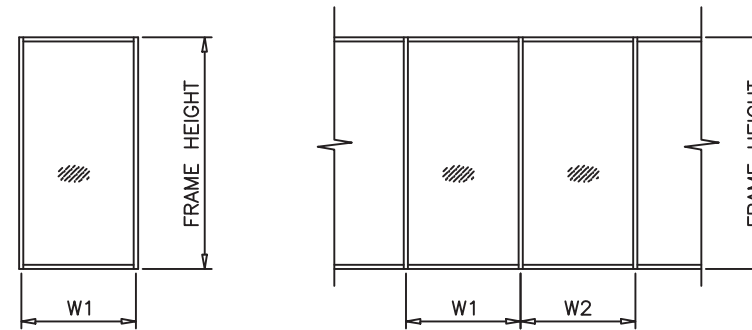
DRAWING No:

7 OF 13

ANCHOR LOAD CAPACITY – PSF
EXT.(+) & INT.(-)

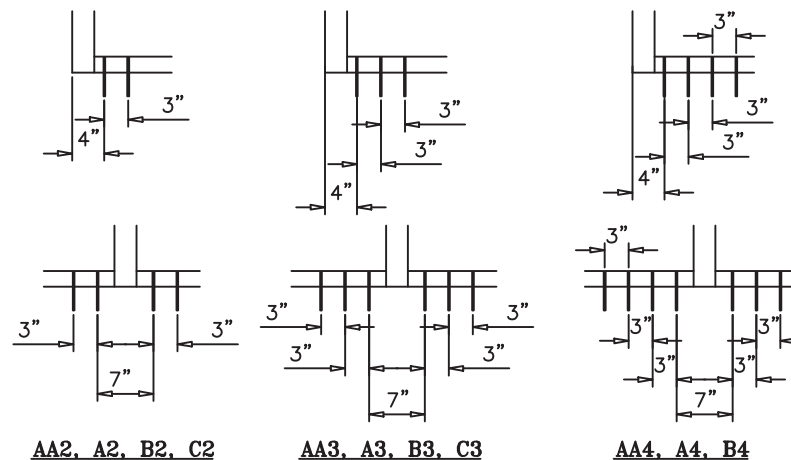
NOMINAL DIMS.		1/4" SHIM						3/8" SHIM						
		ANCHORS TYPE 'AA'			ANCHORS TYPE 'A'			ANCHORS TYPE 'C'		ANCHORS TYPE 'B'				
WIDTH (W)	FRAME HEIGHT	'AA2'	'AA3'	'AA4'	'A2'	'A3'	'A4'	'C2'	'C3'	'B2'	'B3'	'B4'		
30"	66"	94.0	94.0	94.0	94.0	94.0	94.0	94.0	94.0	94.0	94.0	94.0		
36"		94.0	94.0	94.0	94.0	94.0	94.0	94.0	94.0	94.0	94.0	94.0		
42"		94.0	94.0	94.0	94.0	94.0	94.0	94.0	94.0	94.0	94.0	94.0		
48"		92.0	94.0	94.0	94.0	94.0	94.0	94.0	94.0	94.0	94.0	94.0		
54"		81.8	94.0	94.0	94.0	94.0	94.0	94.0	94.0	94.0	94.0	94.0		
60"		73.6	94.0	94.0	94.0	94.0	94.0	94.0	94.0	94.0	86.4	94.0		
66"		66.9	94.0	94.0	94.0	89.4	94.0	94.0	94.0	94.0	78.5	94.0	94.0	
72"		61.3	92.0	94.0	94.0	81.9	94.0	94.0	94.0	94.0	72.0	94.0	94.0	
30"	72"	94.0	94.0	94.0	94.0	94.0	94.0	94.0	94.0	94.0	94.0	94.0		
36"		94.0	94.0	94.0	94.0	94.0	94.0	94.0	94.0	94.0	94.0	94.0		
42"		94.0	94.0	94.0	94.0	94.0	94.0	94.0	94.0	94.0	94.0	94.0		
48"		84.3	94.0	94.0	94.0	94.0	94.0	94.0	94.0	94.0	94.0	94.0		
54"		75.0	94.0	94.0	94.0	94.0	94.0	94.0	94.0	94.0	88.0	94.0		
60"		67.5	94.0	94.0	94.0	90.1	94.0	94.0	94.0	94.0	79.2	94.0	94.0	
66"		61.3	92.0	94.0	94.0	81.9	94.0	94.0	94.0	94.0	72.0	94.0	94.0	
72"		56.2	84.3	94.0	94.0	75.1	94.0	94.0	94.0	94.0	66.0	94.0	94.0	
30"	78"	94.0	94.0	94.0	94.0	94.0	94.0	94.0	94.0	94.0	94.0	94.0		
36"		94.0	94.0	94.0	94.0	94.0	94.0	94.0	94.0	94.0	94.0	94.0		
42"		89.0	94.0	94.0	94.0	94.0	94.0	94.0	94.0	94.0	94.0	94.0		
48"		77.8	94.0	94.0	94.0	94.0	94.0	94.0	94.0	94.0	91.4	94.0		
54"		69.2	94.0	94.0	94.0	92.4	94.0	94.0	94.0	94.0	81.2	94.0	94.0	
60"		62.3	93.4	94.0	94.0	83.2	94.0	94.0	94.0	94.0	73.1	94.0	94.0	
66"		56.6	84.9	94.0	94.0	75.6	94.0	94.0	94.0	94.0	66.5	94.0	94.0	
72"		51.9	77.8	94.0	94.0	69.3	94.0	94.0	94.0	94.0	60.9	94.0	94.0	
30"	84"	94.0	94.0	94.0	94.0	94.0	94.0	94.0	94.0	94.0	94.0	94.0		
36"		94.0	94.0	94.0	94.0	94.0	94.0	94.0	94.0	94.0	94.0	94.0		
42"		82.6	94.0	94.0	94.0	94.0	94.0	94.0	94.0	94.0	94.0	94.0		
48"		72.3	94.0	94.0	94.0	94.0	94.0	94.0	94.0	94.0	84.9	94.0	94.0	
54"		64.3	94.0	94.0	94.0	85.8	94.0	94.0	94.0	94.0	75.4	94.0	94.0	
60"		57.8	86.7	94.0	94.0	77.3	94.0	94.0	94.0	94.0	67.9	94.0	94.0	
66"		52.6	78.9	94.0	94.0	70.2	94.0	94.0	94.0	94.0	61.7	94.0	94.0	
72"		48.2	72.3	94.0	94.0	64.4	94.0	94.0	94.0	94.0	56.6	94.0	94.0	
30"	90"	94.0	94.0	94.0	94.0	94.0	94.0	94.0	94.0	94.0	94.0	94.0		
36"		94.0	94.0	94.0	94.0	94.0	94.0	94.0	94.0	94.0	94.0	94.0		
42"		94.0	94.0	94.0	94.0	94.0	94.0	94.0	94.0	94.0	90.5	94.0		
48"		94.0	94.0	94.0	94.0	94.0	94.0	94.0	94.0	94.0	79.2	94.0	94.0	
54"		94.0	94.0	94.0	94.0	94.0	94.0	94.0	94.0	94.0	70.4	94.0	94.0	
60"		94.0	94.0	94.0	94.0	94.0	94.0	94.0	94.0	94.0	63.4	94.0	94.0	
66"		94.0	94.0	94.0	94.0	94.0	94.0	94.0	94.0	94.0	57.6	86.4	94.0	
72"		94.0	94.0	94.0	94.0	94.0	94.0	94.0	94.0	94.0	85.2	94.0	79.2	94.0
30"	96"	94.0	94.0	94.0	94.0	94.0	94.0	94.0	94.0	94.0	94.0	94.0		
36"		94.0	94.0	94.0	94.0	94.0	94.0	94.0	94.0	94.0	94.0	94.0		
42"		94.0	94.0	94.0	94.0	94.0	94.0	94.0	94.0	94.0	84.9	94.0	94.0	
48"		94.0	94.0	94.0	94.0	94.0	94.0	94.0	94.0	94.0	74.3	94.0	94.0	
54"		94.0	94.0	94.0	94.0	94.0	94.0	94.0	94.0	94.0	66.0	94.0	94.0	
60"		94.0	94.0	94.0	94.0	94.0	94.0	94.0	94.0	94.0	59.4	89.1	94.0	
66"		94.0	94.0	94.0	94.0	94.0	94.0	94.0	94.0	94.0	87.1	94.0	81.0	94.0
72"		94.0	94.0	94.0	94.0	94.0	94.0	94.0	94.0	94.0	79.8	94.0	49.5	74.3

CHART TO BE CONTINUOUS ON NEXT SHEET



WIDTH (W) = W1 (JAMB)

WIDTH (W) = $\frac{W1 + W2}{2}$



ANCHORS TYPES: SEE SHEET 9 FOR DESCRIPTION

- AA2** = (2) ANCHORS TYPE 'A' AT EACH SIDE OF MULLION OR JAMB
- A2** = (2) ANCHORS TYPE 'B' AT EACH SIDE OF MULLION OR JAMB
- B2** = (2) ANCHORS TYPE 'C' AT EACH SIDE OF MULLION OR JAMB
- C2** = (2) ANCHORS TYPE 'C' AT EACH SIDE OF MULLION OR JAMB
- AA3** = (3) ANCHORS TYPE 'A' AT EACH SIDE OF MULLION OR JAMB
- A3** = (3) ANCHORS TYPE 'B' AT EACH SIDE OF MULLION OR JAMB
- B3** = (3) ANCHORS TYPE 'C' AT EACH SIDE OF MULLION OR JAMB
- C3** = (3) ANCHORS TYPE 'C' AT EACH SIDE OF MULLION OR JAMB
- AA4** = (4) ANCHORS TYPE 'A' AT EACH SIDE OF MULLION OR JAMB
- A4** = (4) ANCHORS TYPE 'A' AT EACH SIDE OF MULLION OR JAMB
- B4** = (4) ANCHORS TYPE 'A' AT EACH SIDE OF MULLION OR JAMB

STEP 4: ANCHOR LOAD CAPACITIES



http://www.trulite.com

800 FAIRWAY DRIVE, Suite 200
DEERFIELD BEACH, FL 33441
p. 800-432-8132 | f. 954-724-2083

PRODUCT:

**Resistor
3300**

STOREFRONT WALL
(LARGE AND SMALL
MISSILE IMPACT)

Resistor
PRODUCT SERIES

REVN DATE/REMARKS

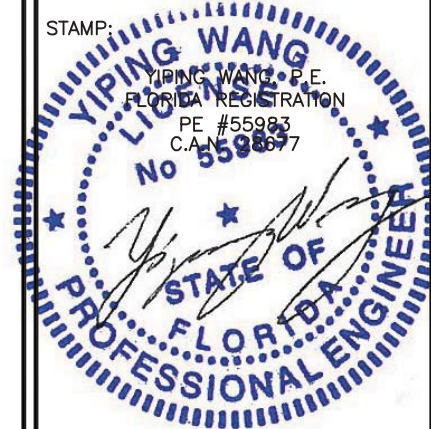
ENGINEER:



MCY ENGINEERING, INC.
GLAZING CONSULTANT

8501 SW 124th Ave, Ste. 205A
MIAMI, FL 33183
P: 305-271-0117 F: 305-573-5063
Email: MCY.Engineering@att.net
www.MCYEngineering.com

STAMP:



March 24th, 2015

FLORIDA PRODUCT APPROVAL:

FL #17586

DRAWN: T.G.

DRAWING No:

DATE:03-20-15

8 OF 13

DWG:AD15-20

ANCHOR LOAD CAPACITY - PSF EXT.(+) & INT.(-)													
NOMINAL DIMS.		1/4" SHIM							3/8" SHIM				
		ANCHORS TYPE 'AA'			ANCHORS TYPE 'A'			ANCHORS TYPE 'C'		ANCHORS TYPE 'B'			
WIDTH (W)	FRAME HEIGHT	'AA2'	'AA3'	'AA4'	'A2'	'A3'	'A4'	'C2'	'C3'	'B2'	'B3'	'B4'	
30"	102"	94.0	94.0	94.0	94.0	94.0	94.0	94.0	94.0	94.0	94.0	94.0	
36"		94.0	94.0	94.0	94.0	94.0	94.0	94.0	94.0	94.0	93.2	94.0	94.0
42"		94.0	94.0	94.0	94.0	94.0	94.0	94.0	94.0	94.0	79.9	94.0	94.0
48"		94.0	94.0	94.0	94.0	94.0	94.0	94.0	94.0	94.0	69.9	94.0	94.0
54"		94.0	94.0	94.0	94.0	94.0	94.0	94.0	94.0	94.0	62.1	93.2	94.0
60"		94.0	94.0	94.0	94.0	94.0	94.0	94.0	90.2	94.0	55.9	83.9	94.0
66"		94.0	94.0	94.0	94.0	94.0	94.0	94.0	82.0	94.0	50.8	76.2	94.0
72"		94.0	94.0	94.0	94.0	94.0	94.0	94.0	75.1	94.0	46.6	69.9	93.2
30"	108"	94.0	94.0	94.0	94.0	94.0	94.0	94.0	94.0	94.0	94.0	94.0	
36"		94.0	94.0	94.0	94.0	94.0	94.0	94.0	94.0	94.0	88.0	94.0	94.0
42"		94.0	94.0	94.0	94.0	94.0	94.0	94.0	94.0	94.0	75.4	94.0	94.0
48"		94.0	94.0	94.0	94.0	94.0	94.0	94.0	94.0	94.0	66.0	94.0	94.0
54"		94.0	94.0	94.0	94.0	94.0	94.0	94.0	94.0	94.0	58.7	88.0	94.0
60"		94.0	94.0	94.0	94.0	94.0	94.0	94.0	85.2	94.0	52.8	79.2	94.0
66"		94.0	94.0	94.0	94.0	94.0	94.0	94.0	77.4	94.0	48.0	72.0	94.0
30"		114"	94.0	94.0	94.0	94.0	94.0	94.0	94.0	94.0	94.0	94.0	94.0
36"	94.0		94.0	94.0	94.0	94.0	94.0	94.0	94.0	94.0	83.4	94.0	94.0
42"	94.0		94.0	94.0	94.0	94.0	94.0	94.0	94.0	94.0	71.5	94.0	94.0
48"	94.0		94.0	94.0	94.0	94.0	94.0	94.0	94.0	94.0	62.5	93.8	94.0
54"	94.0		94.0	94.0	94.0	94.0	94.0	94.0	89.6	94.0	55.6	83.4	94.0
60"	94.0		94.0	94.0	94.0	94.0	94.0	94.0	80.7	94.0	50.0	75.0	94.0
30"	120"		81.0	94.0	94.0	94.0	94.0	94.0	94.0	94.0	94.0	94.0	94.0
36"			67.5	94.0	94.0	90.1	94.0	94.0	94.0	94.0	79.2	94.0	94.0
42"		57.8	86.7	94.0	77.3	94.0	94.0	94.0	94.0	67.9	94.0	94.0	
48"		50.6	75.9	94.0	67.6	94.0	94.0	94.0	94.0	59.4	89.1	94.0	
54"		45.0	67.5	90.0	60.1	90.1	94.0	85.2	94.0	52.8	79.2	94.0	
60"		40.5	60.7	81.0	54.1	81.1	94.0	76.6	94.0	47.5	71.3	94.0	
30"		126"	77.1	94.0	94.0	94.0	94.0	94.0	94.0	94.0	90.5	94.0	94.0
36"			64.3	94.0	94.0	85.8	94.0	94.0	94.0	94.0	75.4	94.0	94.0
42"	55.1		82.6	94.0	73.6	94.0	94.0	94.0	94.0	64.7	94.0	94.0	
48"	48.2		72.3	94.0	64.4	94.0	94.0	91.2	94.0	56.6	84.8	94.0	
54"	42.8		64.3	85.7	57.2	85.8	94.0	81.1	94.0	50.3	75.4	94.0	
60"	38.6		57.8	77.1	51.5	77.3	94.0	73.0	94.0	45.3	67.9	90.5	

TYPICAL ANCHORS:

SEE ELEVATIONS FOR SPACING

TYPE 'AA' 1/4" DIA. TAPCON BY 'ITW' (Fu=120 KSI, Fy=92 KSI)
 INTO 2BY WOOD BUCKS OR WOOD STRUCTURES
 1-1/2" MIN. PENETRATION INTO WOOD.

THRU WOOD BUCKS INTO CONCRETE
 1-3/8" MIN. EMBED INTO CONCRETE

TYPE 'A' 1/4" DIA. TAPCON BY 'ITW' (Fu=120 KSI, Fy=92 KSI)
 DIRECTLY INTO CONCRETE
 1-3/8" MIN. EMBED INTO CONCRETE.

TYPE 'B' 1/4" DIA. ULTRACON BY 'ELCO' (Fu=177 KSI, Fy=155 KSI)

INTO 2BY WOOD BUCKS OR WOOD STRUCTURES
 1-1/2" MIN. PENETRATION INTO WOOD.

THRU WOOD BUCKS INTO CONCRETE
 1-3/8" MIN. EMBED INTO CONCRETE

DIRECTLY INTO CONCRETE
 1-3/8" MIN. EMBED INTO CONCRETE.

TYPE 'C' #14 SMS OR SELF DRILLING SCREWS (GRADE 2 CRS)
 INTO MIAMI-DADE COUNTY APPROVED MULLIONS
 (1/8" THK. MIN.) INTO METAL STRUCTURE.

STEEL : 12 GA. MIN. (Fy = 36 KSI MIN.)
 ALUMINUM : 1/8" THK. MIN. (6063-T5 MIN.)
 (STEEL IN CONTACT WITH ALUMINUM TO BE PLATED OR PAINTED)

TYPICAL EDGE DISTANCE

INTO CONCRETE AND MASONRY = 2-1/2" MIN.
 INTO WOOD STRUCTURE = 1" MIN.
 INTO METAL STRUCTURE = 3/4" MIN.

CONCRETE f'c = 3000 PSI MIN.
 C-90 HOLLOW/FILLED BLOCK f'm = 2000 PSI MIN.

SEALANTS:

FRAME CORNERS SEALED WITH DOW CORNING 999 OR EQUAL COMPATIBLE.

STEP 4: ANCHOR LOAD CAPACITIES



http://www.trulite.com

800 FAIRWAY DRIVE, Suite 200
 DEERFIELD BEACH, FL 33441
 p. 800-432-8132 | f. 954-724-2083

PRODUCT:

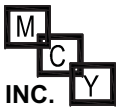
**Resistor
3300**

STOREFRONT WALL
 (LARGE AND SMALL
 MISSILE IMPACT)



REVN DATE/REMARKS

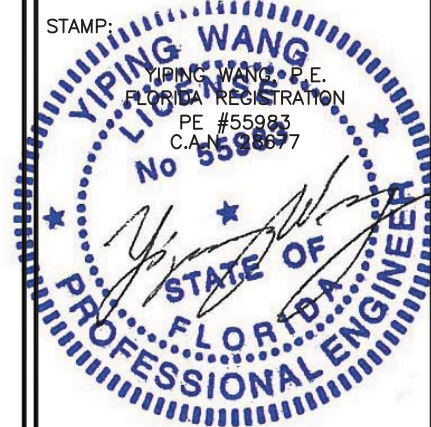
ENGINEER:



MCY ENGINEERING, INC.
 GLAZING CONSULTANT

8501 SW 124th Ave, Ste. 205A
 MIAMI, FL 33183
 P: 305-271-0117 F: 305-573-5063
 Email: MCY.Engineering@att.net
 www.MCYEngineering.com

STAMP:



March 24th, 2015

FLORIDA PRODUCT APPROVAL:

FL #17586

DRAWN: T.G.

DATE:03-20-15

DWG:AD15-20

DRAWING No:

9 OF 13

PRODUCT:

Resistor 3300

STOREFRONT WALL
(LARGE AND SMALL
MISSILE IMPACT)

Resistor PRODUCT SERIES

REVN	DATE/REMARKS

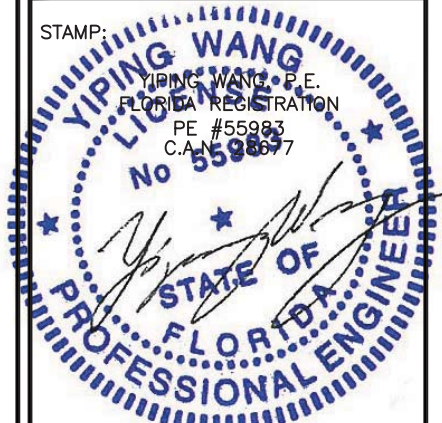
ENGINEER:



MCY ENGINEERING, INC.
GLAZING CONSULTANT

8501 SW 124th Ave, Ste. 205A
MIAMI, FL 33183
P: 305-271-0117 F: 305-573-5063
Email: MCY.Engineering@att.net
www.MCYEngineering.com

STAMP:



March 24th, 2015

FLORIDA PRODUCT APPROVAL:

FL #17586

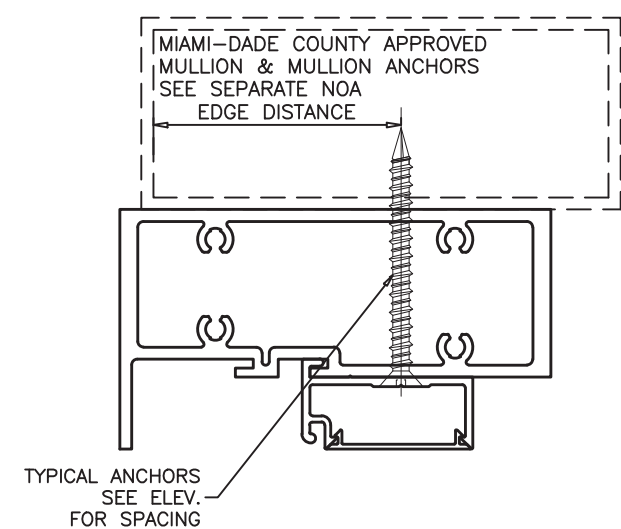
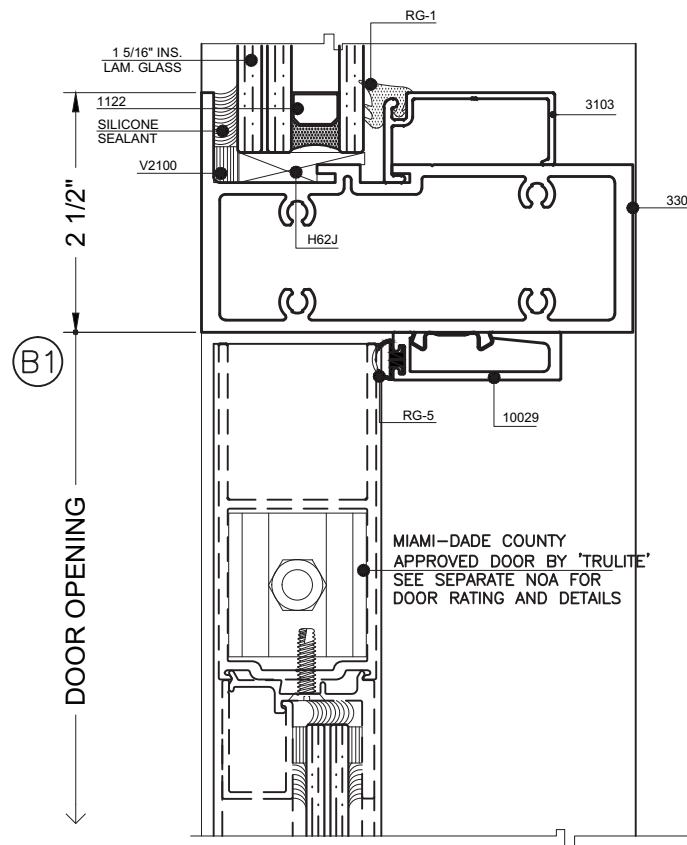
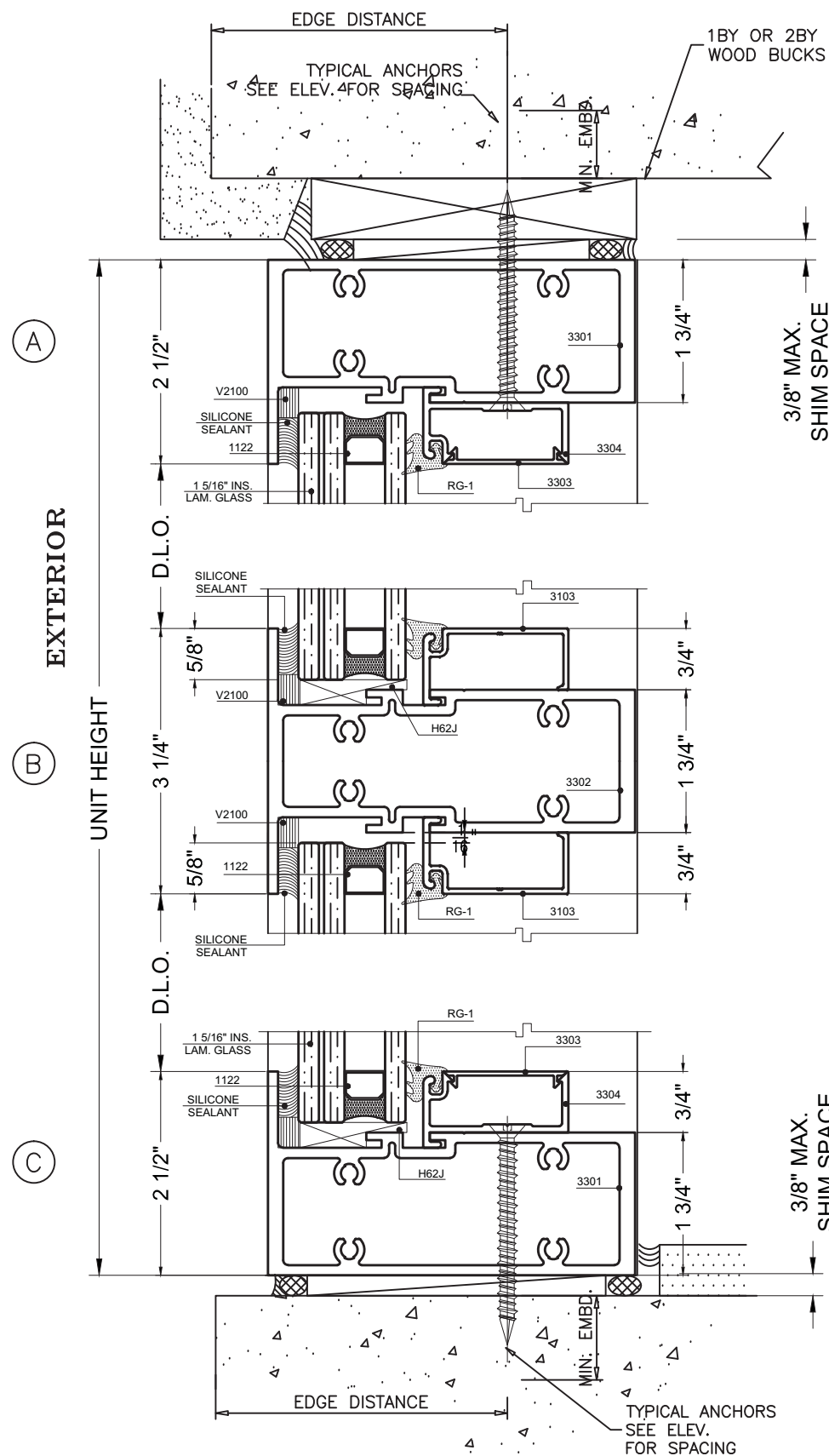
DRAWN: T.G.

DRAWING No:

DATE: 03-20-15

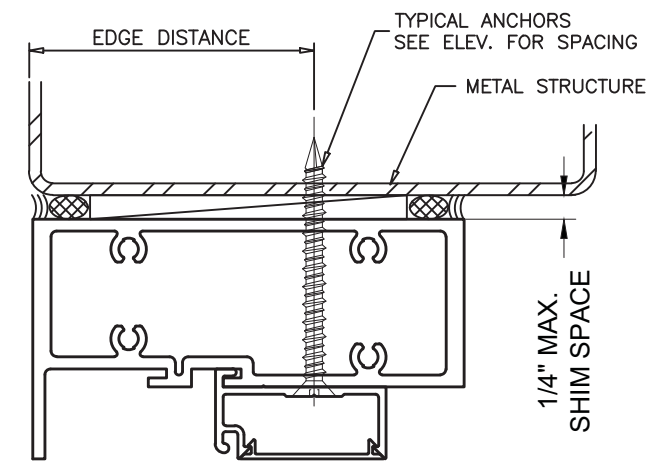
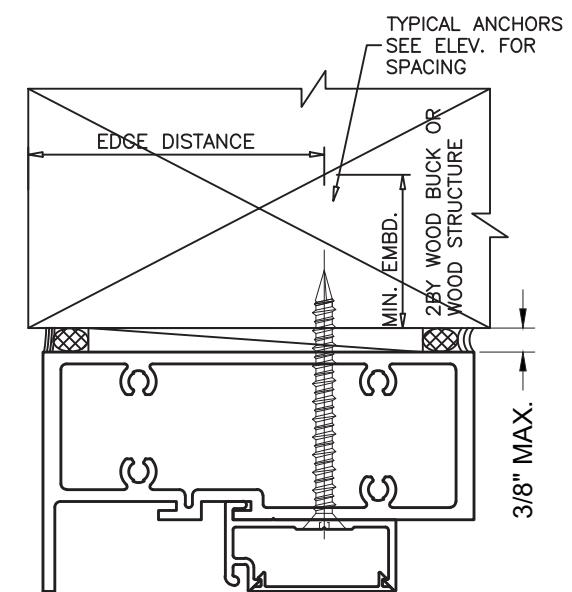
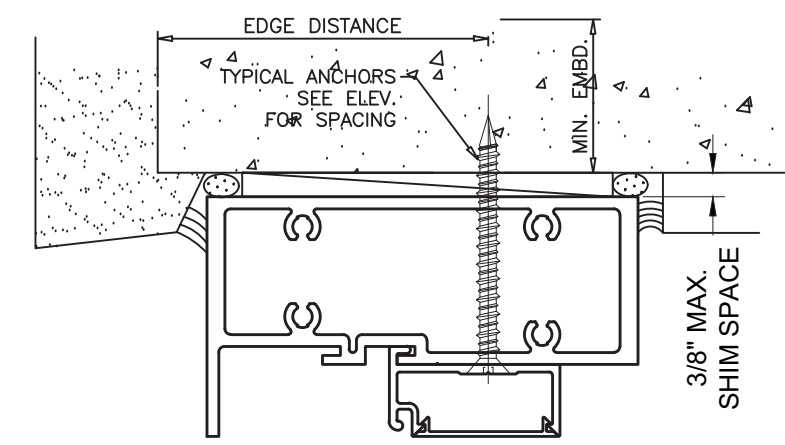
10 OF 13

DWG: AD15-20



NOTE:
MULLIONS SHOWN IN DASHED LINES ARE NOT PART OF THIS APPROVAL.

WOOD BUCKS AND METAL STRUCTURE NOT BY TRULITE. MUST SUSTAIN LOADS IMPOSED BY GLAZING SYSTEM AND TRANSFER THEM TO THE BUILDING STRUCTURE.



PRODUCT:

Resistor 3300

STOREFRONT WALL
(LARGE AND SMALL
MISSILE IMPACT)

Resistor PRODUCT SERIES

REVN DATE/REMARKS

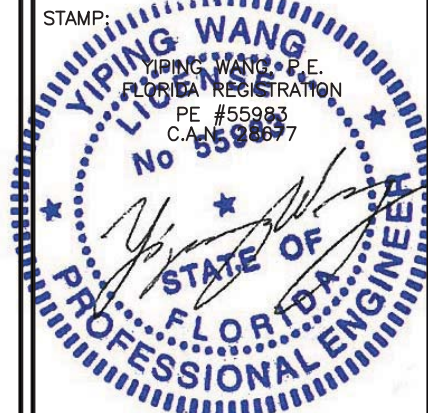
ENGINEER:



MCY ENGINEERING, INC.
GLAZING CONSULTANT

8501 SW 124th Ave, Ste. 205A
MIAMI, FL 33183
P: 305-271-0117 F: 305-573-5063
Email: MCY.Engineering@att.net
www.MCYEngineering.com

STAMP:



March 24th, 2015

FLORIDA PRODUCT APPROVAL:

FL #17586

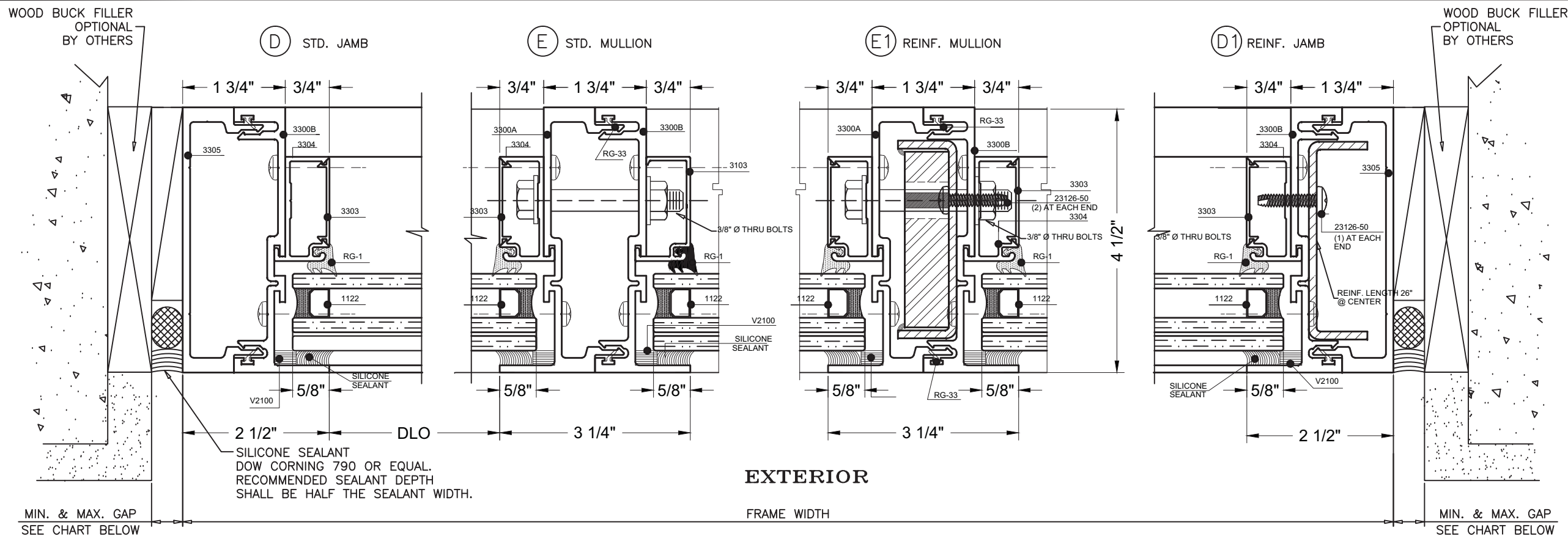
DRAWN: T.G.

DRAWING No:

DATE: 03-20-15

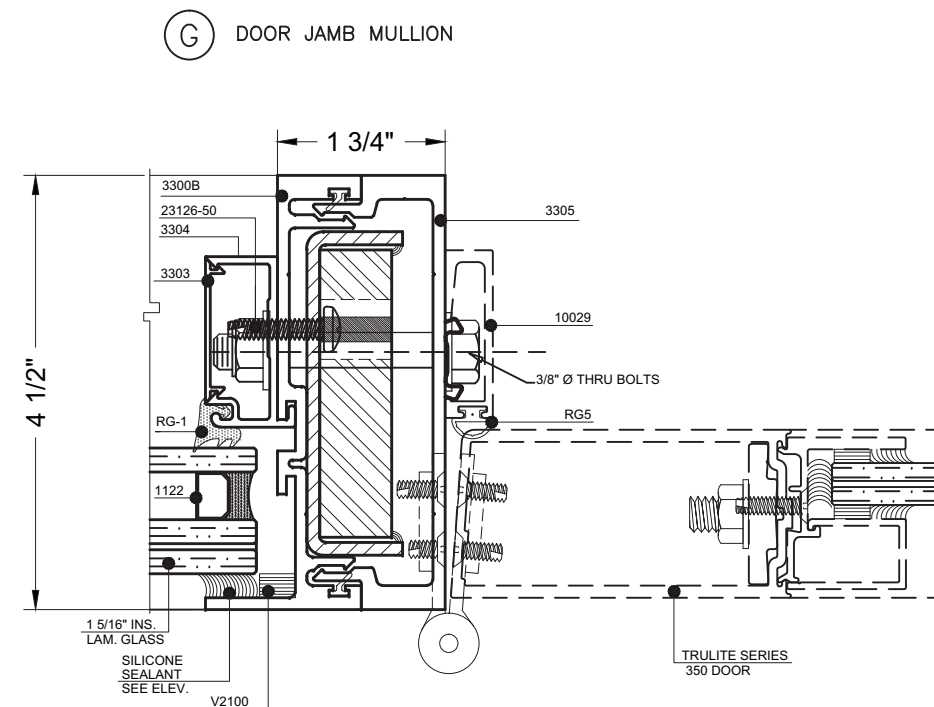
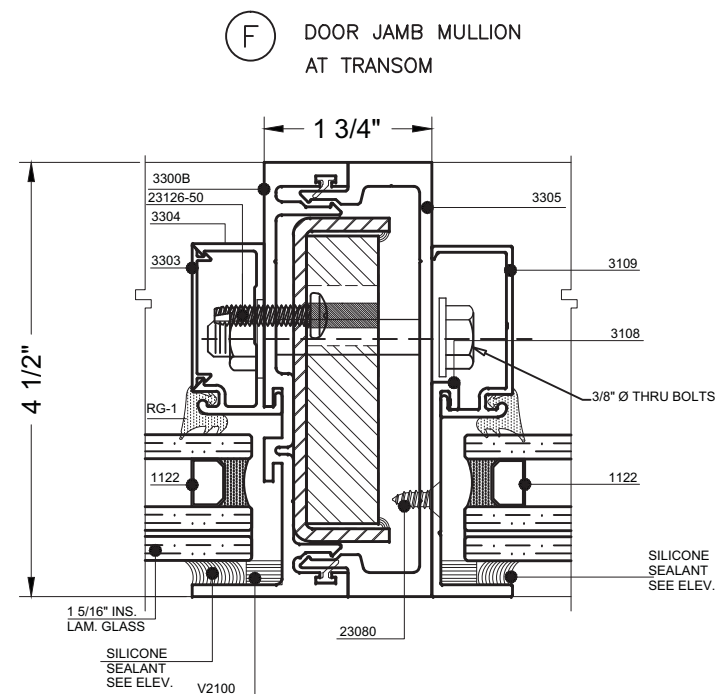
11 OF 13

DWG: AD15-20



MAX. FRAME HEIGHT	GAP	
	MIN.	MAX.
78"	1/4"	1/2"
84"	1/4"	1/2"
96"	3/8"	1/2"
108"	3/8"	1/2"
120"	3/8"	1/2"
126"	3/8"	1/2"

ALTERNATE SEALANTS AT JAMB GAPS CAN BE DESIGNED BY ENGINEER OF RECORD BASED ON MANUFACTURER GUIDE LINES.



NOTE:
1-5/16" GLAZING OPTION SHOWN.
REFER TO SHEET 2 FOR 9/16" GLAZING OPTION.

SILICONE SEALANT REFER TO ITEM (20) (21) (22)

3301 HEAD/SILL/JAMB	3300A MALE MULLION	3300B FEMALE MULLION	3305 MALE JAMB	3302 INT. VERTICAL / HORIZONTAL
3108 TRANSOM GLASS STOP GUTTER	3109 TRANSOM GLASS STOP	10029 APPLIED DOOR STOP	3304 OPEN BACK GLASS STOP	3303 GLASS STOP COVER
3103 GLASS STOP	H62J SETTING BLOCK, 1-5/16" GLASS	H62D SETTING BLOCK, 9/16" GLASS	RG-1 EXTERIOR GLAZING GASKET	RG-33 FINGER GASKET
1122 INSULATED ALUM. SPACER				

Trulite
GLASS & ALUMINUM SOLUTIONS™
http://www.trulite.com
800 FAIRWAY DRIVE, Suite 200
DEERFIELD BEACH, FL 33441
p. 800-432-8132 | f. 954-724-2083

PRODUCT:
Resistor 3300
STOREFRONT WALL
(LARGE AND SMALL MISSILE IMPACT)
Resistor
PRODUCT SERIES

REVN	DATE/REMARKS

ENGINEER:
MCY ENGINEERING, INC.
GLAZING CONSULTANT
8501 SW 124th Ave, Ste. 205A
MIAMI, FL 33183
P: 305-271-0117 F: 305-573-5063
Email: MCY.Engineering@att.net
www.MCYEngineering.com

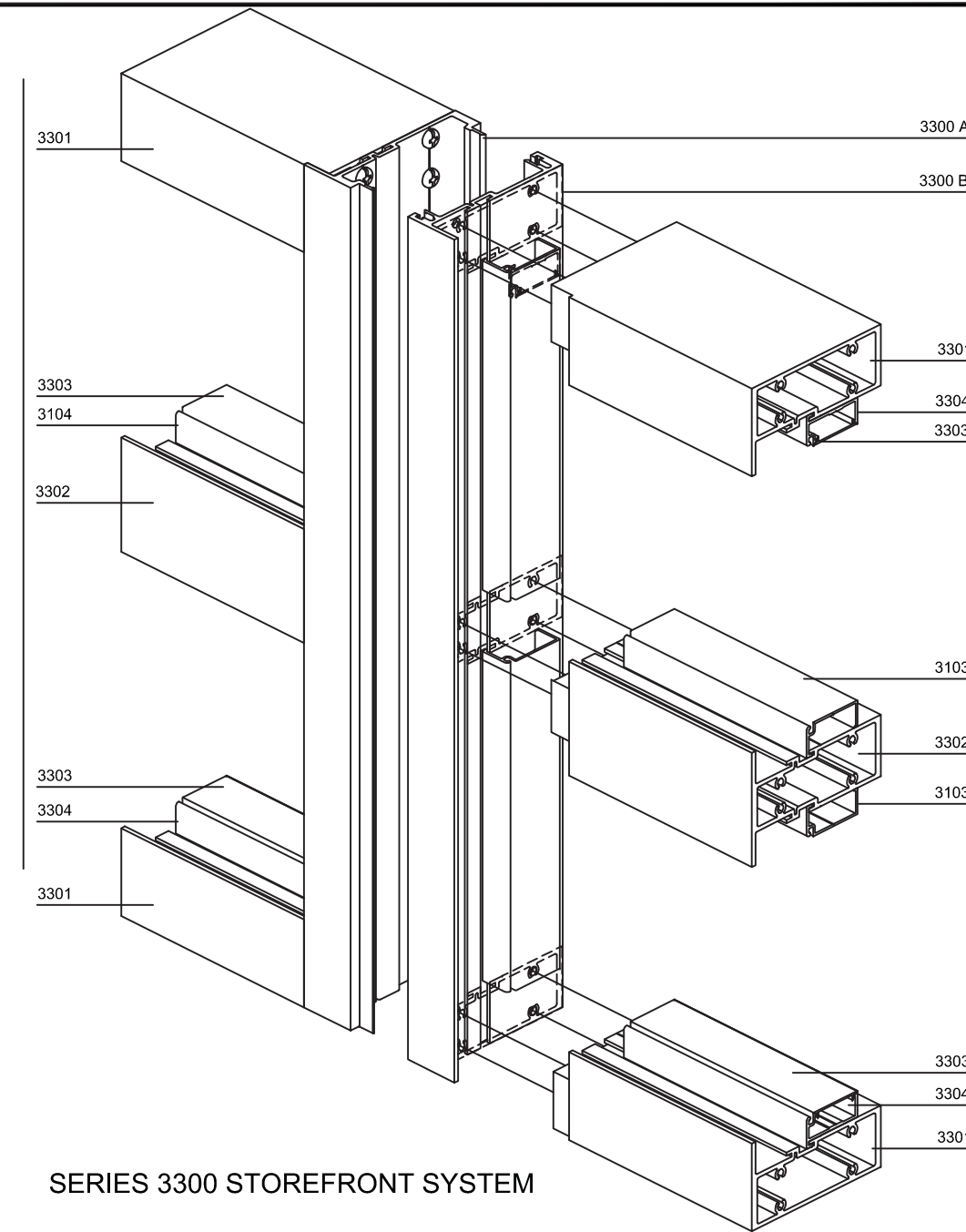
STAMP:
YIPING WANG
YIPING WANG, P.E.
FLORIDA REGISTRATION
PE #55983
C.A.#1567
STATE OF FLORIDA
PROFESSIONAL ENGINEER

March 24th, 2015

FLORIDA PRODUCT APPROVAL:
FL #17586

DRAWN: T.G.	DRAWING No:
DATE: 03-20-15	12 OF 13
DWG: AD15-20	

ITEM	P/N	DESCRIPTION	DIMENSIONS	MATERIAL	MANUFACTURER
1	3301	HEAD / SILL / JAMB	2.500 x 4.500	6063-T6 ALUM	SAPA/BON-L
2	3302	INT. HORIZONTAL	3.250 x 4.500	6063-T6 ALUM	SAPA/BON-L
3	3300 A	MALE MULLION	2.124 x 4.530	6063-T6 ALUM	SAPA/BON-L
4	3300 B	FEMALE MULLION	1.625 x 4.530	6063-T6 ALUM	SAPA/BON-L
5	3303	GLASS STOP COVER	1.780 x 0.938	6063-T6 ALUM	SAPA/BON-L
6	3304	OPEN BACK GLASS STOP	1.50 x 0.188	6063-T6 ALUM	SAPA/BON-L
7	3305	MALE JAMB	1.50 x 0.188	6063-T6 ALUM	SAPA/BON-L
8	3103	GLASS STOP	1.780 x 0.938	6063-T6 ALUM	SAPA/BON-L
9	3108	TRANSOM GLASS STOP GUTTER	1.250 x 0.750	6063-T6 ALUM	SAPA/BON-L
10	3109	TRANSOM GLASS STOP	1.75 x 0.750	6063-T6 ALUM	SAPA/BON-L
11	10029	APPLIED DOOR STOP	1.750 x 0.500	6063-T6 ALUM	SAPA/BON-L
12	RG 1	EXTERIOR GLAZING GASKET	.197 SPACE	EPDM	TREMCO
13	1122	INSULATED ALUMINUM SPACER	-	-	-
14	RG 33	FINGER GASKET	.0186 SPACE	EPDM	GRP/TREMCO
15	V2100	GLAZING TAPE	0.250 x 0.375	EPDM	VARIES
16	H62J	SETTING BLOCK FOR 1-5/16" GLASS	7/16" X 1 1/16" X 4"	EPDM	GRP/CORSON
17	H62D	SETTING BLOCK FOR 9/16" GLASS	1/4" X 9/16" X 4"	EPDM	GRP/CORSON
18	23126	RETENTION SCREW @ REINF	#12-24 x 3/8" PPH-23 MS	ZINC	ALLOY FASTENER
19	23233	ASSEMBLY SCREWS	#12-24-1" PPH-23 MS	ZINC	ALLOY FASTENER
20	AS REQ.	SILICONE SEALANT	DC 995	SILICONE	DOW CORNING
21	AS REQ.	SILICONE SEALANT	PROGLAZE SSG	SILICONE	TREMCO
22	AS REQ.	SILICONE SEALANT	SIKASIL SG-10	SILICONE	SIKA
23	1122	INSULATED ALUMINUM SPACER	0.501 X 0.282 X 0.031	6063-T5 ALUM	ALL METAL, INC.



SERIES 3300 STOREFRONT SYSTEM

NOTE:
 DETAIL ABOVE SHOWS CONNECTION OF HORIZONTAL FRAME MEMBERS TO VERTICAL FRAMES. JAMB AND MULLION CAN BE WITH OR WITHOUT REINFORCEMENT. SEE SHEETS 4 THRU 8 FOR OPTIONS.

GENERAL NOTE:
 1. GLASS NOT SHOWN FOR CLARITY.
 2. FRAME AND PANEL CORNERS, INSTALLATION SCREWS AND ALL METAL PARTS CONNECTIONS TO BE SEALED WITH CLEAR COLORED SEALANT.

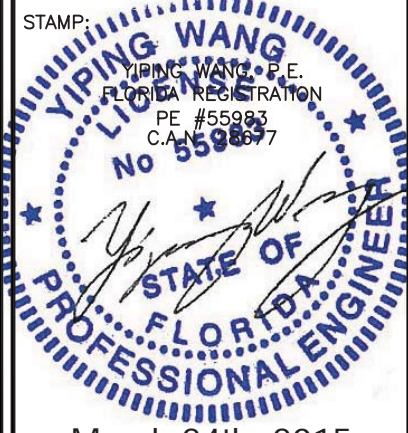
Trulite
 GLASS & ALUMINUM SOLUTIONS™
<http://www.trulite.com>
 800 FAIRWAY DRIVE, Suite 200
 DEERFIELD BEACH, FL 33441
 p. 800-432-8132 | f. 954-724-2083

PRODUCT:
Resistor 3300
 STOREFRONT WALL
 (LARGE AND SMALL MISSILE IMPACT)
Resistor
 PRODUCT SERIES

REVN	DATE/REMARKS

ENGINEER:

MCY ENGINEERING, INC.
 GLAZING CONSULTANT
 8501 SW 124th Ave, Ste. 205A
 MIAMI, FL 33183
 P: 305-271-0117 F: 305-573-5063
 Email: MCY.Engineering@att.net
www.MCYEngineering.com

STAMP:

 YIPING WANG, P.E.
 FLORIDA REGISTRATION
 PE #55983
 C.A. #55983

March 24th, 2015

FLORIDA PRODUCT APPROVAL:
FL #17586

DRAWN: T.G.	DRAWING No:
DATE:03-20-15	13 OF 13
DWG:AD15-20	